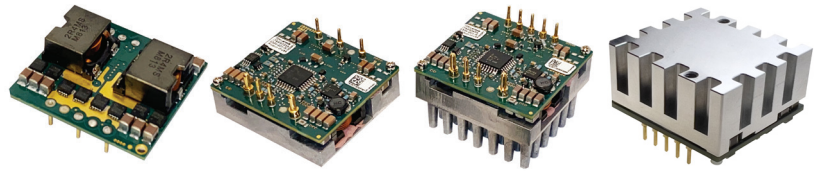


## 400W-1000W, 9-18V, 18-32V, 18-50V or 28-60V Input Non-Isolated Step Down DC-DC Converter

<https://product.tdk.com/en/power/i7a>  
[www.emea.lambda.tdk.com/i7a](http://www.emea.lambda.tdk.com/i7a)



The i7A series of high-efficiency, non-isolated buck converters delivers scalable power solutions up to 1000W in a compact 1/16th brick pinout, addressing key design challenges such as limited board space, inefficient power delivery, and complex thermal management. With output currents up to 100A and wide input/output voltage ranges, it simplifies various power distribution architectures and part number management while reducing the need to parallel multiple converters. Its fast transient response and low ripple ensure stable performance, while three thermal configurations—open frame, baseplate, and heatsink—offer flexible cooling options tailored to system requirements. Available with positive or negative logic remote on/off and an optional adjustable OCP current limit threshold, the i7A is ideal for industrial, communications, test and measurement, and battery-powered applications, including mobile robotics.

Features	Benefits
• Up to 1000W in a 1/16th Brick Pin-Out	• High Power Density, Less Board Area Needed
• High Efficiency - Up to 99%	• Reduced Energy Consumption / Longer Battery Life
• Wide 0.8 to 8V or 3.3V up to 32V Output Adjustment	• One Part Supports Multiple System Voltages
• 9 to 18V, 18 to 32V, 18 to 60V or 28 to 60V Input	• Can Operate From Different DC Source Voltages Including Batteries
• Adjustable OCP, Current Limit Threshold	• Reduces Overload and Thermal Stress Without Additional Circuitry
• Minimal Derating Requirements in Low Airflow Environments	• Easy To Cool In End System

Related Products		
Type	Part Number	Description
DC-DC Buck Converter	<a href="#">i3A</a>	100W, Input 9-53V, Output 5-30V 4.5A or 3.3-16.5V 8A
DC-DC Buck Converter	<a href="#">i6A4W</a>	250W, Input 9-53V, Output 3.3-40V 10A or 3.3-15V 20A
DC-DC Buck-Boost Converter	<a href="#">i1C</a>	200W, Input 9-36V or 18-75V, Output 9.6-28V, 1x1 inch Footprint
DC-DC Buck-Boost Converter	<a href="#">i7C</a>	300W, Input 9-53V or 9-36V, Output 9.6-48V 8A, 5-28V 12.5A or 8-24V 20A
DC-DC Buck Converter	<a href="#">RGA</a>	250W, Input 9 up to 53V, Output 3.3 up to 40V, Rugged Modules
DC-DC Buck Converter	<a href="#">RGB</a>	400-750W, Input 9 to 18V or 18 up to 60V, Output 0.8 to 8V or 3.3 up to 24V, Rugged Modules
DC-DC Buck-Boost Converter	<a href="#">RGC</a>	300W, Input 9-53V, Output 9.6-48V 8A or 5-28V 12.5A, Rugged Modules
EMI Filter Module	<a href="#">RGE</a>	80V, 20A or 40A Differential Mode Filter Module
ORing FET Module	<a href="#">i1R</a>	60V/60A; 30V/80A ORing FET (Ideal Diode) Modules
Evaluation Kit	<a href="#">i7A20A-C01-EVK-S1</a>	Evaluation kit with I7A48020A033V-001-R Module
Evaluation Kit	<a href="#">i7A33A-C01-EVK-S1</a>	Evaluation kit with I7A4W033A033V-001-R Module
Evaluation Kit	<a href="#">i7A45A-C01-EVK-S1</a>	Evaluation kit with I7A24045A033V-001-R Module
Evaluation Kit	<a href="#">i7A60A-C01-EVK-S1</a>	Evaluation kit with I7A12060A008V-001-R Module
Evaluation Kit	<a href="#">i7AS60A-C03-EVK-S1</a>	Evaluation kit with high power I7A4W060A033V-0C3-R Module
Evaluation Kit	<a href="#">i7AS80A-C03-EVK-S1</a>	Evaluation kit with high power I7A24080A033V-0C3-R Module
Evaluation Kit	<a href="#">i7AS100A-C03-EVK-S1</a>	Evaluation kit with high power I7A12100A008V-0C3-R Module
Evaluation Kit	<a href="#">i7ASX-C03-EVK-S0</a>	Evaluation kit for I7A series with no DC-DC module mounted

Model Selector									
Model	Max O/P Power (W)	Input Voltage (V)	Output Voltage (V)	Max O/P Current (A)	Typical Efficiency	Remote ON/OFF Logic	Adjustable (OCP) Current Limit	Construction	Height / Profile mm (inch)
<b>General Purpose Wide Input Range</b>									
<a href="#">i7A4W033A033V-000-R</a>	500	18 - 60	3.3 - 24	33	97%	Positive	-	Openframe	11.5 [0.45]
<a href="#">i7A4W033A033V-001-R #</a>	500	18 - 60	3.3 - 24	33	97%	Negative	-	Openframe	11.5 [0.45]
<a href="#">i7A4W033A033V-003-R #</a>	500	18 - 60	3.3 - 24	33	97%	Negative	Yes / Pin 5	Openframe	11.5 [0.45]
<a href="#">i7A4W033A033V-0C1-R #</a>	500	18 - 60	3.3 - 24	33	97%	Negative	-	Baseplate	12.7 [0.50]
<a href="#">i7A4W033A033V-0C3-R</a>	500	18 - 60	3.3 - 24	33	97%	Negative	Yes / Pin 5	Baseplate	12.7 [0.50]
<a href="#">i7A4W033A033V-0F1-R #</a>	500	18 - 60	3.3 - 24	33	97%	Negative	-	Heatsink	24.9 [0.98]
<a href="#">i7A4W033A033V-0F3-R</a>	500	18 - 60	3.3 - 24	33	97%	Negative	Yes / Pin 5	Heatsink	24.9 [0.98]
<a href="#">i7A4W060A033V-0C0-R</a>	720	18 - 60	3.3 - 28	60	99%	Positive	-	Enhanced Baseplate	19.8 [0.78]
<a href="#">i7A4W060A033V-0C1-R #</a>	720	18 - 60	3.3 - 28	60	99%	Negative	-	Enhanced Baseplate	19.8 [0.78]
<a href="#">i7A4W060A033V-0C3-R</a>	720	18 - 60	3.3 - 28	60	99%	Negative	Yes / Pin 5	Enhanced Baseplate	19.8 [0.78]
<b>24V Input Optimized</b>									
<a href="#">i7A24045A033V-000-R</a>	750	18 - 32	3.3 - 18	45	97%	Positive	-	Openframe	11.5 [0.45]
<a href="#">i7A24045A033V-001-R #</a>	750	18 - 32	3.3 - 18	45	97%	Negative	-	Openframe	11.5 [0.45]
<a href="#">i7A24045A033V-003-R #</a>	750	18 - 32	3.3 - 18	45	97%	Negative	Yes / Pin 5	Openframe	11.5 [0.45]
<a href="#">i7A24045A033V-0C1-R #</a>	750	18 - 32	3.3 - 18	45	97%	Negative	-	Baseplate	12.7 [0.50]
<a href="#">i7A24045A033V-0C3-R</a>	750	18 - 32	3.3 - 18	45	97%	Negative	Yes / Pin 5	Baseplate	12.7 [0.50]
<a href="#">i7A24045A033V-0F1-R #</a>	750	18 - 32	3.3 - 18	45	97%	Negative	-	Heatsink	24.9 [0.98]
<a href="#">i7A24045A033V-0F3-R</a>	750	18 - 32	3.3 - 18	45	97%	Negative	Yes / Pin 5	Heatsink	24.9 [0.98]
<a href="#">i7A24080A033V-0C0-R</a>	1000	18 - 32	3.3 - 18	80	98%	Positive	-	Enhanced Baseplate	19.8 [0.78]
<a href="#">i7A24080A033V-0C1-R #</a>	1000	18 - 32	3.3 - 18	80	98%	Negative	-	Enhanced Baseplate	19.8 [0.78]
<a href="#">i7A24080A033V-0C3-R</a>	1000	18 - 32	3.3 - 18	80	98%	Negative	Yes / Pin 5	Enhanced Baseplate	19.8 [0.78]
<b>48V Input Optimized</b>									
<a href="#">i7A48020A033V-000-R</a>	500	28 - 60	3.3 - 32	20	97%	Positive	-	Openframe	11.5 [0.45]
<a href="#">i7A48020A033V-001-R #</a>	500	28 - 60	3.3 - 32	20	97%	Negative	-	Openframe	11.5 [0.45]
<a href="#">i7A48020A033V-003-R #</a>	500	28 - 60	3.3 - 32	20	97%	Negative	Yes / Pin 5	Openframe	11.5 [0.45]
<a href="#">i7A48020A033V-0C1-R #</a>	500	28 - 60	3.3 - 32	20	97%	Negative	-	Baseplate	12.7 [0.50]
<a href="#">i7A48020A033V-0C3-R</a>	500	28 - 60	3.3 - 32	20	97%	Negative	Yes / Pin 5	Baseplate	12.7 [0.50]
<a href="#">i7A48020A033V-0F1-R #</a>	500	28 - 60	3.3 - 32	20	97%	Negative	-	Heatsink	24.9 [0.98]
<a href="#">i7A48020A033V-0F3-R</a>	500	28 - 60	3.3 - 32	20	97%	Negative	Yes / Pin 5	Heatsink	24.9 [0.98]
<b>12V Input Optimized</b>									
<a href="#">i7A12060A008V-000-R</a>	400	9 - 18	0.8 - 8	60	97%	Positive	-	Openframe	11.5 [0.45]
<a href="#">i7A12060A008V-001-R #</a>	400	9 - 18	0.8 - 8	60	97%	Negative	-	Openframe	11.5 [0.45]
<a href="#">i7A12060A008V-003-R #</a>	400	9 - 18	0.8 - 8	60	97%	Negative	Yes / Pin 5	Openframe	11.5 [0.45]
<a href="#">i7A12060A008V-0C1-R #</a>	400	9 - 18	0.8 - 8	60	97%	Negative	-	Baseplate	12.7 [0.50]
<a href="#">i7A12060A008V-0C3-R</a>	400	9 - 18	0.8 - 8	60	97%	Negative	Yes / Pin 5	Baseplate	12.7 [0.50]
<a href="#">i7A12060A008V-0F1-R #</a>	400	9 - 18	0.8 - 8	60	97%	Negative	-	Heatsink	24.9 [0.98]
<a href="#">i7A12060A008V-0F3-R</a>	400	9 - 18	0.8 - 8	60	97%	Negative	Yes / Pin 5	Heatsink	24.9 [0.98]
<a href="#">i7A12100A008V-0C0-R **</a>	550	9 - 18	0.8 - 8	100	96%	Positive	-	Enhanced Baseplate	19.8 [0.78]
<a href="#">i7A12100A008V-0C1-R #**</a>	550	9 - 18	0.8 - 8	100	96%	Negative	-	Enhanced Baseplate	19.8 [0.78]
<a href="#">i7A12100A008V-0C3-R **</a>	550	9 - 18	0.8 - 8	100	96%	Negative	Yes / Pin 5	Enhanced Baseplate	19.8 [0.78]

High Power i7A Series with enhanced baseplate design includes redundant input and output pins. Please refer to the PIN assignment table on page 7.

i7A modules with rated  $I_{OUT} \geq 45A$  includes redundant input pins. Please refer to the PIN assignment table on page 7.

# Preferred Models

\*\* Consult Technical Support for availability.

Specification					
Model		i7A4W033A033V / i7A4W060A033V	i7A24045A033V / i7A24080A033V	i7A12060A008V / i7A12100A008V	i7A48020A033V
<b>Input</b>					
Input Voltage Range	Vdc	18 - 60	18 - 32	9 - 18	28 - 60
Input Transient (<100 ms)	Vdc	65 max	36 max	22 max	65 max
Turn On (typ)	Vdc	16.5	16.5	8.1	24
Turn Off (typ)	Vdc	15	15	7.6	20
Safety Certifications and Markings	-	IEC/EN/UL/CSA/EN62368-1, CE Mark and UKCA Mark			
<b>Input</b>					
		i7A4W033A033V	i7A24045A033V	i7A12060A008V	i7A48020A033V
Input Current (max)	A	50		65	35
Efficiency	%	91 - 98	93 - 98.5	86 - 97	92 - 96
<b>Input</b>					
		i7A4W060A033V	i7A24080A033V	i7A12100A008V	
Input Current (max)	A	60	80	100	
Efficiency	%	90 - 98.5	93 - 99	89 - 98	
<b>Model</b>					
		i7A4W033A033V	i7A24045A033V	i7A12060A008V	i7A48020A033V
<b>Output</b>					
Output Current (max)	A	33	45	60	20
Output Power (max)	W	500	750	400	500
Output Voltage Tolerance	%	± 3.5			
Line Regulation	%	0.2			
Load Regulation	%	0.4			
Ripple & Noise	mVpp	25	25	40	25
Overcurrent Protection Threshold (typ)	A	45	63	70	30
External Load Capacitance	uF	220 - 10000	330 - 10000		
Switching Frequency	kHz	330			
Dynamic Response		420mV / 70µs Vo=12V, 1A/µs 25% to 75% max lo	4250mV / 80µs Vo=12V, 1A/µs 25% to 50% max lo	400mV / 100µs Vo=3.3V, 1A/µs 25% to 50% max lo	500mV / 180µs Vo=12V, 1A/µs 25% to 75% max lo
<b>Model</b>					
		i7A4W060A033V	i7A24080A033V	i7A12100A008V	
<b>Output</b>					
Output Current (max)	A	60	80	100	
Output Power (max)	W	720	1000	550	
Output Voltage Tolerance	%	± 3.5			
Line Regulation	%	0.2		2mV	
Load Regulation	%	0.4		8mV	
Ripple & Noise	mVpp	80	60	60	
Overcurrent Protection Threshold (typ)	A	75	105	165	
External Load Capacitance	uF	330 - 10000			
Switching Frequency	kHz	200			
Dynamic Response		800mV / 75µs Vo=12V, 1A/µs 25% to 75% max lo	1200mV / 150µs Vo=12V, 1A/µs 25% to 50% max lo	400mV / 150µs Vo=12V, 1A/µs 25% to 50% max lo	
<b>Model</b>					
		i7A4W033A033V / i7A4W060A033V	i7A24045A033V / i7A24080A033V	i7A12060A008V / i7A12100A008V	i7A48020A033V
Overtemperature Protection	-	Yes			
Remote Sense	-	Sense(+), up to 5% of Vout			
Remote On/Off	-	See Model Selector.			
Output Voltage Adjust	-	For Output Trim Equation, refer to <a href="#">i7A Specification</a> and <a href="#">i7A High Power Specification</a> .			
Output Current Limit Adjust	-	Suffix -XX3-R. See Model Selector and detailed specifications			

Notes

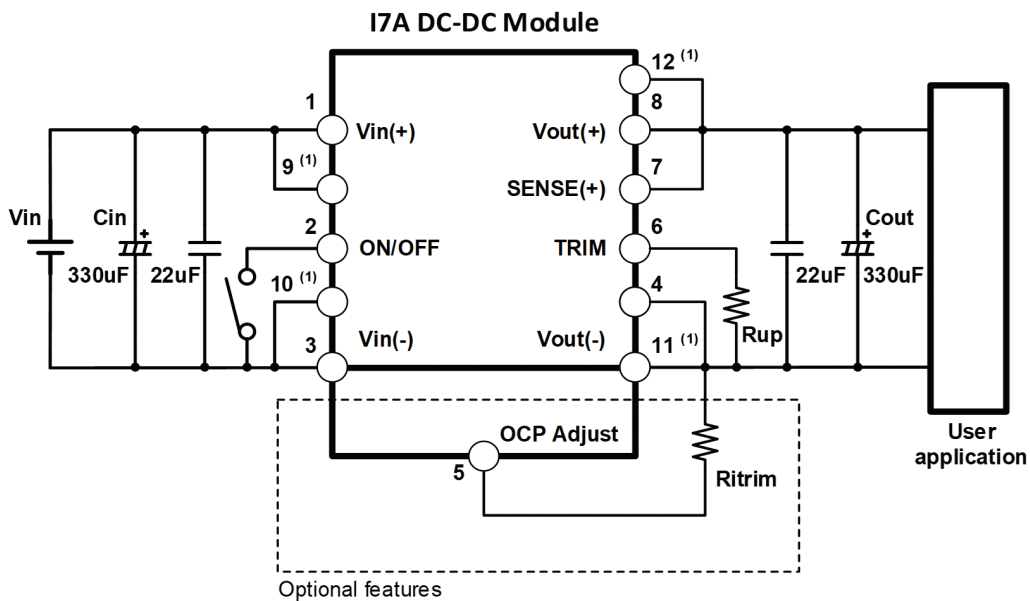
- (1) See website for detailed [i7A Specification](#) and [i7A High Power Specification](#).
- (2) Contact Technical Support for operation at higher altitudes.

Specification				
Model	i7A4W033A033V / i7A4W060A033V	i7A24045A033V / i7A24080A033V	i7A12060A008V / i7A12100A008V	i7A48020A033V
<b>Environmental</b>				
Operating Temperature (Tref)	°C	-40 to 115 (For Derating, see <a href="#">i7A Specification</a> and <a href="#">i7A High Power Specification</a> )		
Storage Temperature	°C	-55 to 125		
Humidity (non condensing)	%RH	5 - 95 (Operating & Storage)		
Cooling	-	Convection, conduction (baseplate) or forced air		
Altitude (2)	m	2000		
Random Vibration (Operating)	-	IEC 60068-2-64 / IPC9592B: 2.40 Grms, 10-500Hz, 30 min per x, y, z axis		
Shock (Operating)	-	IEC 60068-2-27 / IPC9592B: 30G, 11 ms per x, y, z axis		
<b>Other</b>				
Weight (Typ)	g	Open Frame:	25	
		With Baseplate:	50	
		With Heatsink:	70	
		Enhanced Baseplate:	85	
Size (LxWxH)	mm	Open Frame:	34 x 36.8 x 11.5	
		With Baseplate:	34 x 36.8 x 12.7	
		With Heatsink:	34 x 36.8 x 24.9	
		Enhanced Baseplate:	34 x 36.8 x 19.8	
Size (LxWxH)	Inches	Open Frame:	1.34 x 1.45 x 0.45	
		With Baseplate:	1.34 x 1.45 x 0.50	
		With Heatsink:	1.34 x 1.45 x 0.98	
		Enhanced Baseplate:	1.34 x 1.45 x 0.78	
MTBF - Telcordia SR-332		> 5 Mhrs; 100% Load; Ta = 40 °C		
Warranty	yrs	3 years		

Notes

- (1) See website for detailed [i7A Specification](#) and [i7A High Power Specification](#).
- (2) Contact Technical Support for operation at higher altitudes.

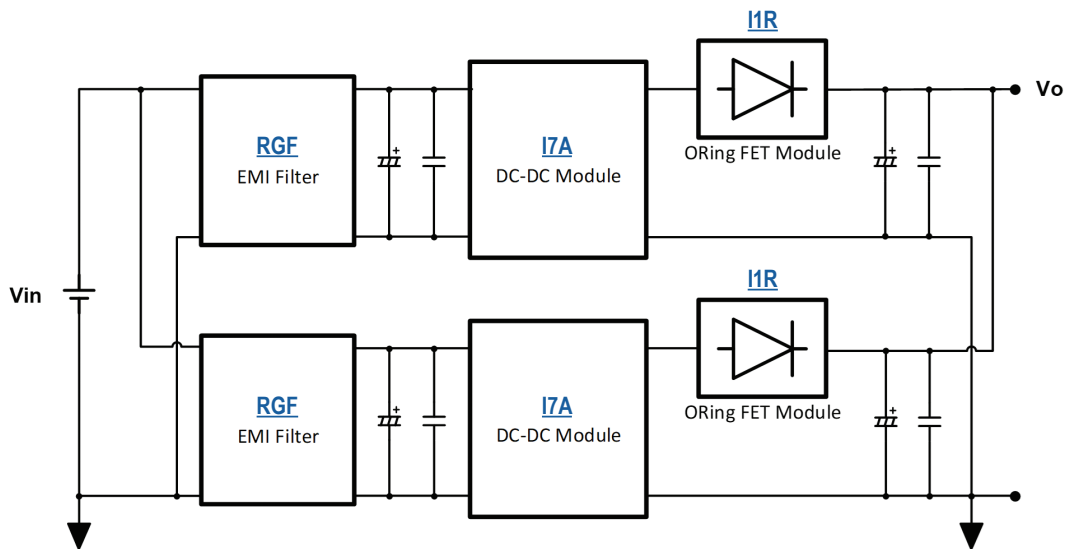
**Typical Application Circuit**



Note

- 1. Certain model numbers have redundant input (9, 10) and/or output (11, 12) pins. Please refer to the PIN assignment table on page 7.
- 2. The input and output capacitor values can vary depending upon the application requirements.
- 3. Output voltage TRIM resistor "Rup" and OCP/Current Limit Adjust resistor, "Ritrim" should be connected to the i7A module as close as possible.

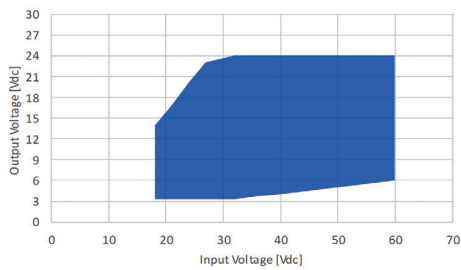
## Simplified Building Block Diagram for Redundant / Parallel Configuration (supporting accessory products shown)



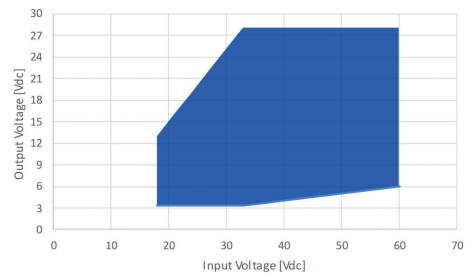
Note: 1) Verify that the selected RGF filter and I1R ORing modules are appropriately rated for the intended application and operating conditions.  
 2) For applications requiring i7A parallel connections for higher output power, contact Technical Support for additional guidance.

### Output vs. Input Voltage Operating Range

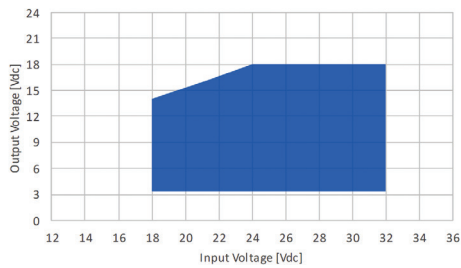
#### i7A4W033A033V (500W)



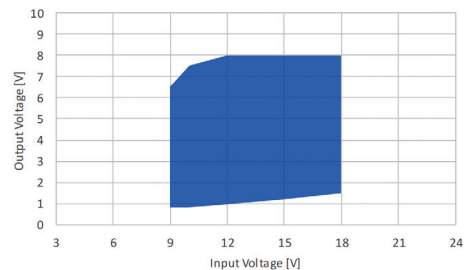
#### i7A4W060A033V (720W)



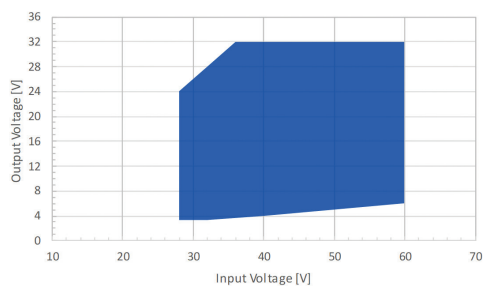
#### i7A24045A033V (750W) / i7A24080A033V (1000W)



#### i7A12060A008V (400W) / i7A12100A008V (550W)

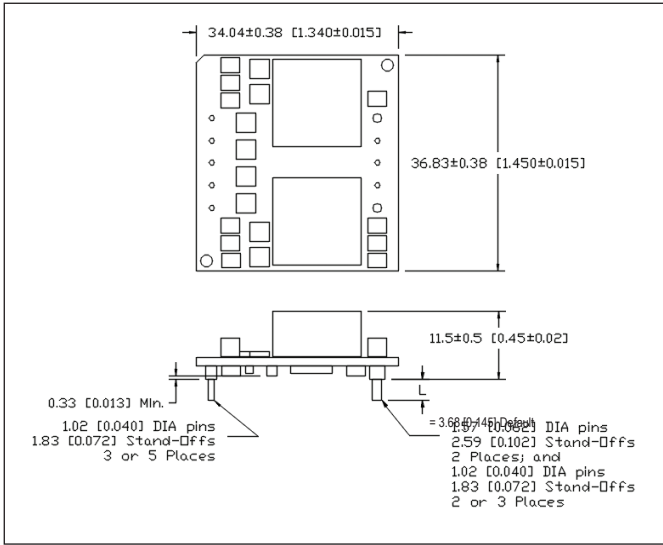


#### i7A48020A033V (500W)

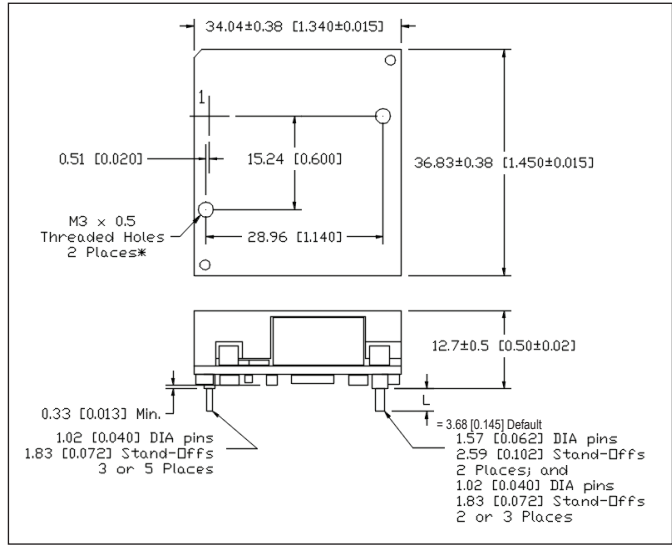


**Mechanical Specification**

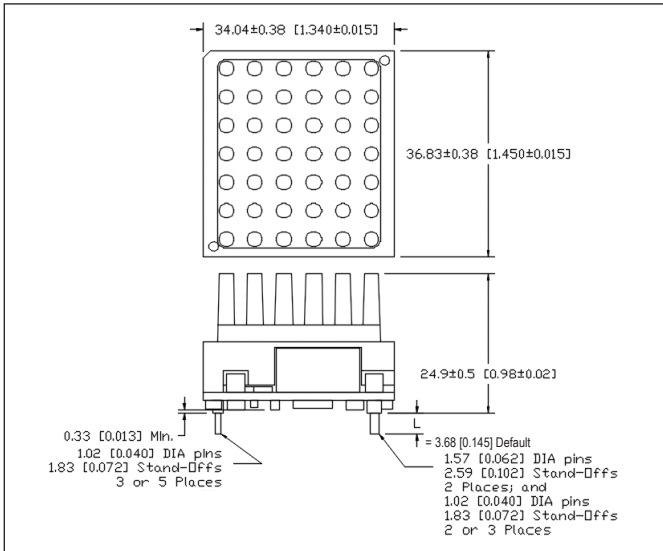
**Outline Drawing Open frame –00x-R product options**



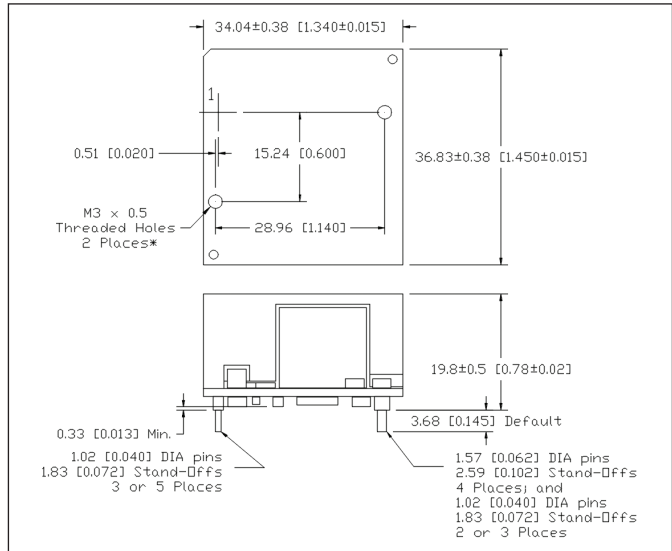
**Outline Drawing With Baseplate –xCx-R product options**



**Outline Drawing With Heatsink –xFx-R product options**

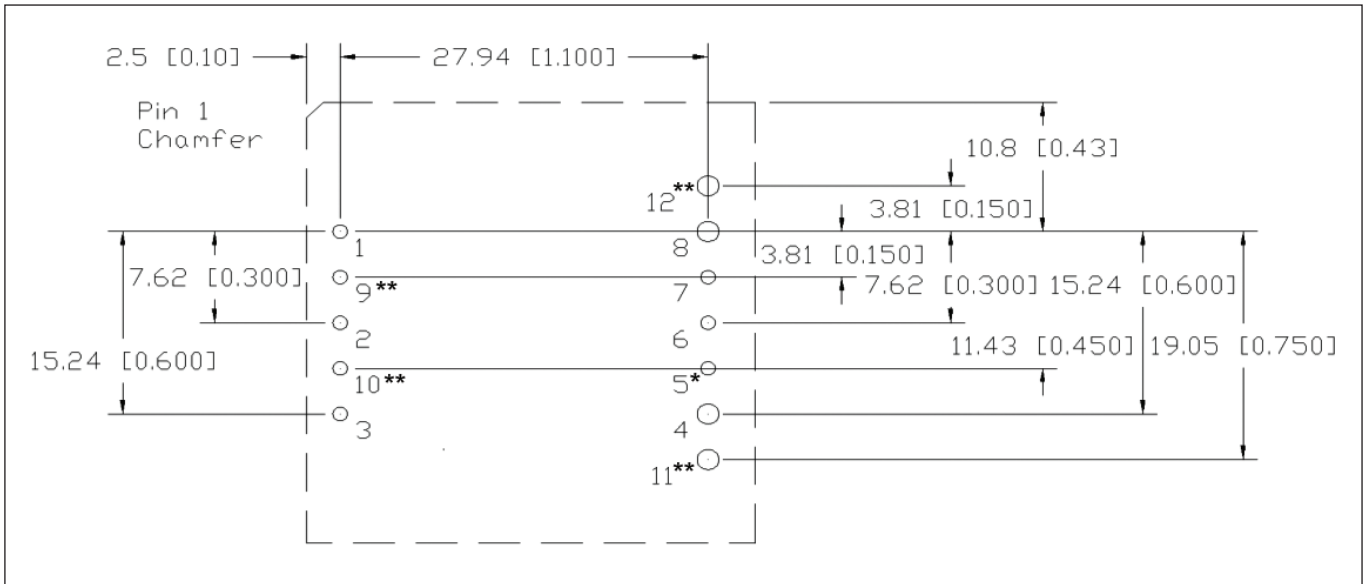


**Outline Drawing with Enhanced Baseplate**



## Mechanical Specification

### Recommended Hole Pattern (Top View)



Pinout			
PIN	FUNCTION	PIN	FUNCTION
1	Vin (+)	7	SENSE+
2	On / Off	8	Vout (+)
3	Vin (-) / GND	9**	Vin (+)
4	Vout (-) / GND	10**	Vin (-) / GND
5*	Current Limit (OCP) Adjust	11**	Vout (-) / GND
6	TRIM	12**	Vout (+)

**Note**

\* Pin 5 is populated when this feature is present (xx3-R suffix).

\*\* Redundant input and/or output power pins are populated on certain high-current model numbers. See related table to identify which series utilizes these pins.

Pin base material is brass or copper with gold over nickel plating.

Redundant Power Pin Usage				
Series	PIN 9	PIN 10	PIN 11	PIN 12
	INPUT		OUTPUT	
i7A4W033A033V	N	N	N	N
i7A24045A033V	Y	Y	N	N
i7A12060A008V	Y	Y	N	N
i7A48020A033V	N	N	N	N
i7A4W060A033V	Y	Y	Y	Y
i7A24080A033V	Y	Y	Y	Y
i7A12100A008V	Y	Y	Y	Y



**TDK-Lambda France SAS**  
 Tel: +33 1 60 12 71 65  
 ttf.fr-powersolutions@tdk.com  
 www.emea.lambda.tdk.com/fr



**TDK-Lambda Americas**  
 Tel: +1 800-LAMBDA-4 or 1-800-526-2324  
 tla.powersolutions@tdk.com  
 www.us.lambda.tdk.com



**Italy Sales Office**  
 Tel: +39 02 61 29 38 63  
 ttf.it-powersolutions@tdk.com  
 www.emea.lambda.tdk.com/it



**TDK Electronics do Brasil Ltda**  
 Tel: +55 11 3289-9599  
 sales.br@tdk-electronics.tdk.com  
 www.tdk-electronics.tdk.com/en



**Netherlands**  
 ttf.nl-powersolutions@tdk.com  
 www.emea.lambda.tdk.com/nl



**TDK-Lambda Corporation**  
 Tel: +81-3-6778-1113  
 www.jp.lambda.tdk.com



**TDK-Lambda Europe GmbH**  
 Tel: +49 7841 666 0  
 tlg.powersolutions@tdk.com  
 www.emea.lambda.tdk.com/de



**TDK-Lambda (China) Electronics Co. Ltd.**  
 Tel: +86 21 6485-0777  
 tlc.powersolutions@tdk.com  
 www.lambda.tdk.com.cn



**Austria Sales Office**  
 Tel: +43 2256 655 84  
 tlg.at-powersolutions@tdk.com  
 www.emea.lambda.tdk.com/at



**TDK-Lambda Singapore Pte Ltd.**  
 Tel: +65 6251 7211  
 tfs.marketing@tdk.com  
 www.sg.lambda.tdk.com



**Switzerland Sales Office**  
 Tel: +41 44 850 53 53  
 tlg.ch-powersolutions@tdk.com  
 www.emea.lambda.tdk.com/ch



**TDK India Private Limited, Power Supply Division**  
 Tel: +91 80 4039-0660  
 mathew.philip@tdk.com  
 www.sg.lambda.tdk.com



**TDK-Lambda Europe GmbH**  
 Tel: Tel. +45 3222 8086  
 tlg.dk-powersolutions@tdk.com  
 www.emea.lambda.tdk.com/dk



**TDK-Lambda UK Ltd.**  
 Tel: +44 (0) 12 71 85 66 66  
 tlu.powersolutions@tdk.com  
 www.emea.lambda.tdk.com/uk



**TDK-Lambda Ltd.**  
 Tel: +9 723 902 4333  
 tli.powersolutions@tdk.com  
 www.emea.lambda.tdk.com/il-en

