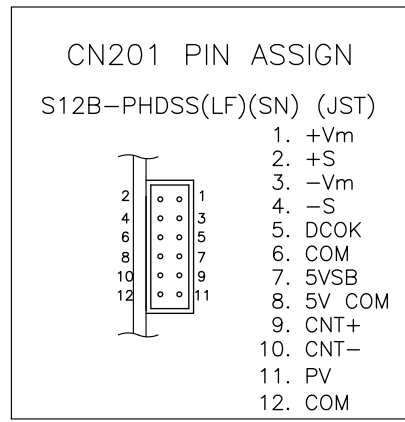


SIGNAL CONNECTOR INFORMATION



==SIGNAL CONNECTOR USED==

PART DESCRIPTION	PART NAME	MANUFACT
PIN HEADER	S12B-PHDSS(LF)(SN)	JST

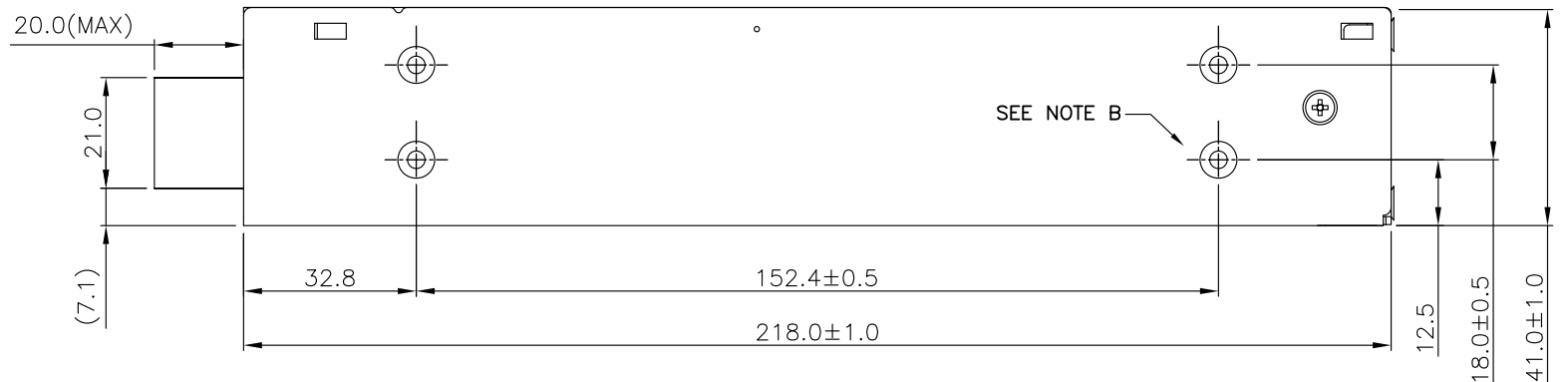
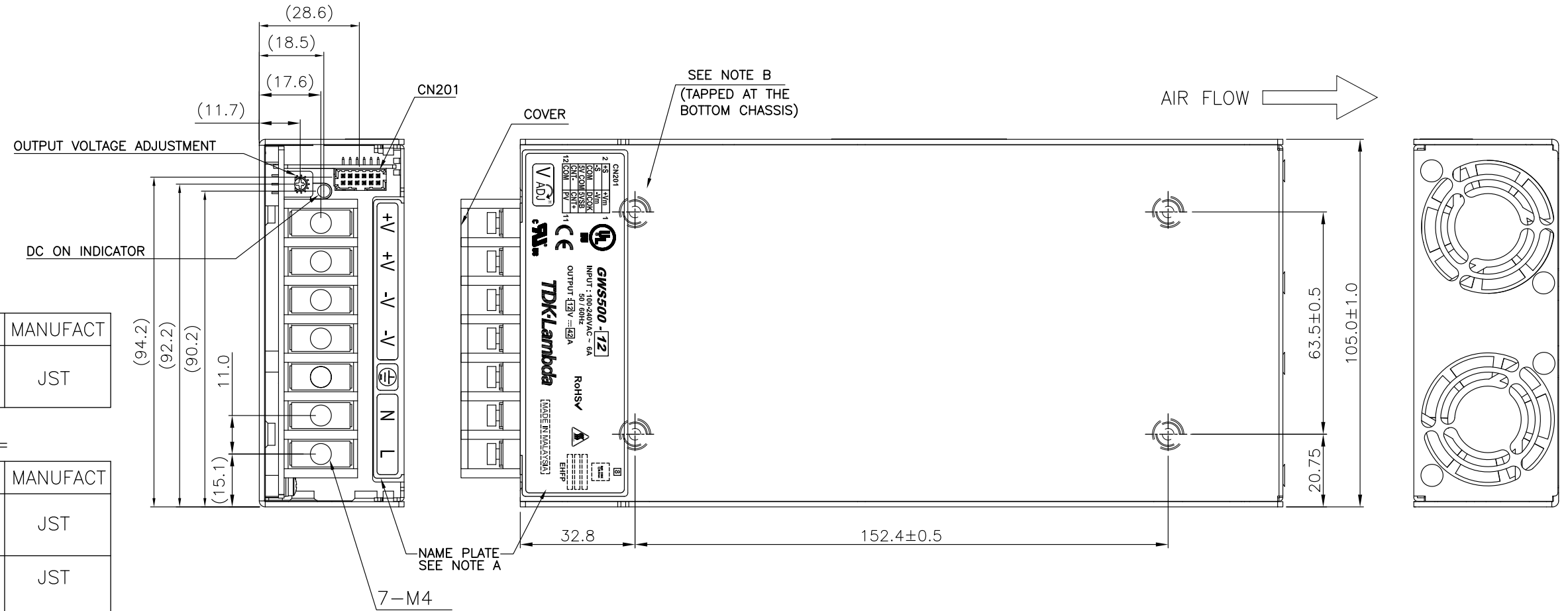
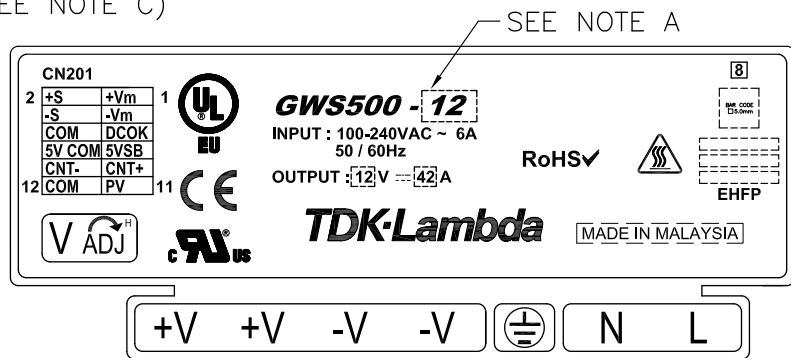
==MATCHING HOUSINGS, PIN & TOOL==

PART DESCRIPTION	PART NAME	MANUFACT
SOCKET HOUSING	PHDR-12VS	JST
TERMINAL PINS	SPHD-002T-P0.5(AWG28~24) SPHD-001T-P0.5(AWG26~22)	JST
HAND CRIMPING TOOL	YRS-620(SPHD-002T-P0.5) YC-610R(SPHD-001T-P0.5)	JST

==ACCESSORIES==

- * SHORT PIECE ----- 1
SHORTING +Vm — +S, -Vm — -S, CNT+ — CNT-
(ATTACHED ON CN201 AT SHIPMENT)
- * COVER FOR BARRIER TERMINAL STRIP ----- 1
(ATTACHED ON TERMINAL AT SHIPMENT)

NAME PLATE :
(SEE NOTE C)



NOTES

- A. MODEL NAME , INPUT VOLTAGE RANGE , NOMINAL OUTPUT VOLTAGE , MAXIMUM OUTPUT CURRENT & COUNTRY OF MANUFACTURE ARE SHOWN IN ACCORDANCE WITH THE SPECIFICATION.
- B. M4 TAPPED HOLES (8) FOR CUSTOMER CHASSIS MOUNTING.
(SCREW PENETRATION DEPTH 5mm MAX.)
- C. NAME PLATE DETAILS SHOWN HERE IS FOR REFERENCE ONLY. PLEASE SEE LATEST RELEASE FOR DETAILS.

(unit : mm)

MODEL	GWS500
TDK-Lambda	

PA590-02-01C