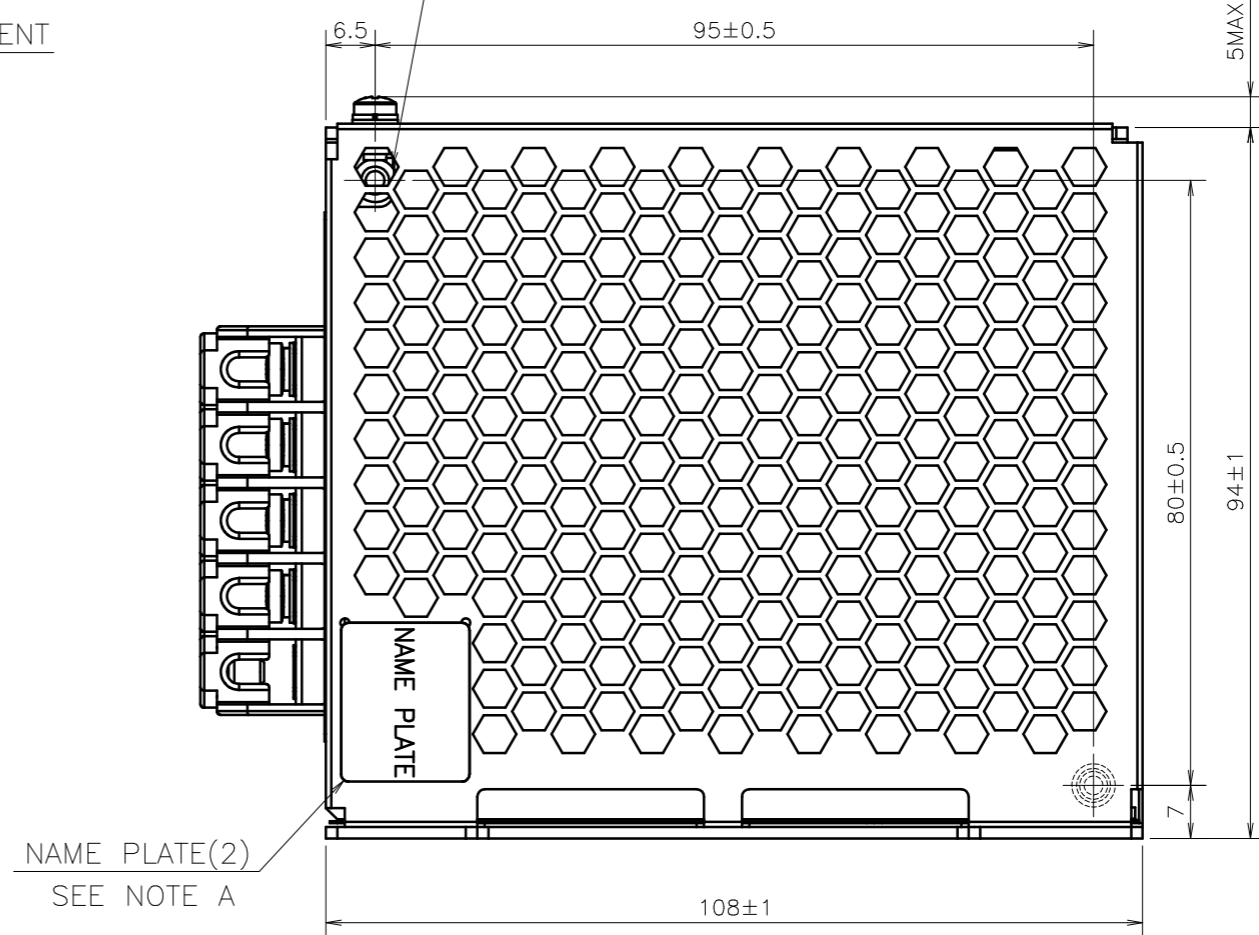


SEE NOTE B  
(AT THE BOTTOM SIDE)

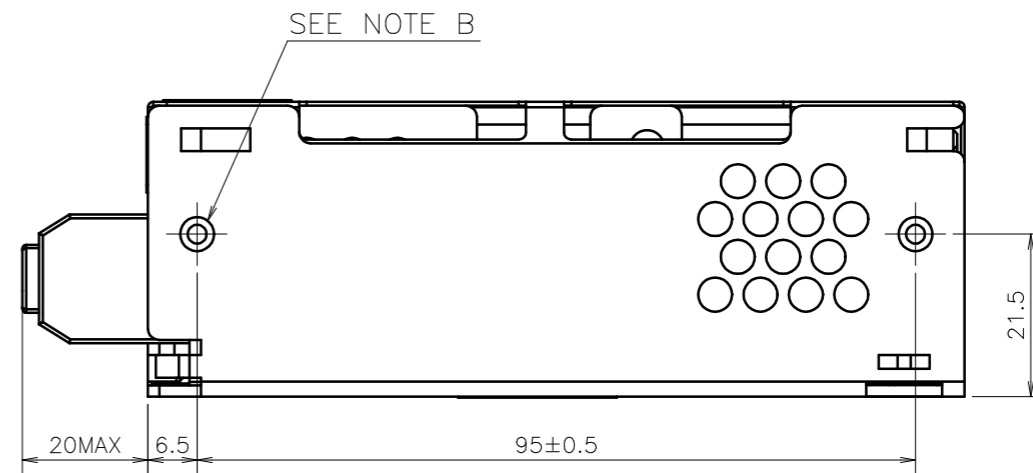


NAME PLATE(2)  
SEE NOTE A

NOTES

A: MODEL NAME, INPUT VOLTAGE RANGE, NOMINAL OUTPUT VOLTAGE, MAXIMUM OUTPUT CURRENT, COUNTRY OF MANUFACTURE AND SAFETY MARKING (FOR ONLY APPROVED PRODUCTS) ARE SHOWN HERE IN ACCORDANCE WITH THE SPECIFICATIONS.

B: 4-M3 BR & COUNTERSINK ARE FOR CUSTOMER'S CHASSIS MOUNTING. (SCREW PENETRATION DEPTH 6mm MAX.)



(unit : mm)

MODEL NAME	RWS100B
<b>TDK-Lambda</b>	

CA807-02-01E