



Industrial



Test



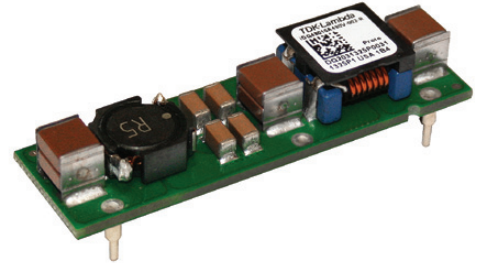
Comm



Broadcast

10A 75VDC EMI Filters

Features	Benefits
<ul style="list-style-type: none"> • Exceptional Differential Mode Performance • Surface or Through Hole Mount Versions • Very Compact Size 	<ul style="list-style-type: none"> • Alternative Solution to Discrete Design • Offers Flexibility of use • Saves Space on the pcb



Specification		
Model	iDQ	
Rated Voltage	VDC	75VDC (100VDC for 100ms)
Rated Current	A	10A
Withstand Voltage	VDC	Terminals to Ground: 1500VDC
Leakage Current	mA	Not Applicable
DC Resistance	mΩ	Positive leg: 11.5, Negative leg: 6.5
Operating Temperature (1)	°C	-40°C to 120°C (see derating curve and measurement point)
Storage Temperature	°C	-55°C to 125°C
Safety Agency Certification	-	CE Mark
Size (LxWxH)	mm	50 x 15 x 10.8
Weight (Typ)	g	11.3
Warranty	yrs	3

Notes: 1) See full specification on website

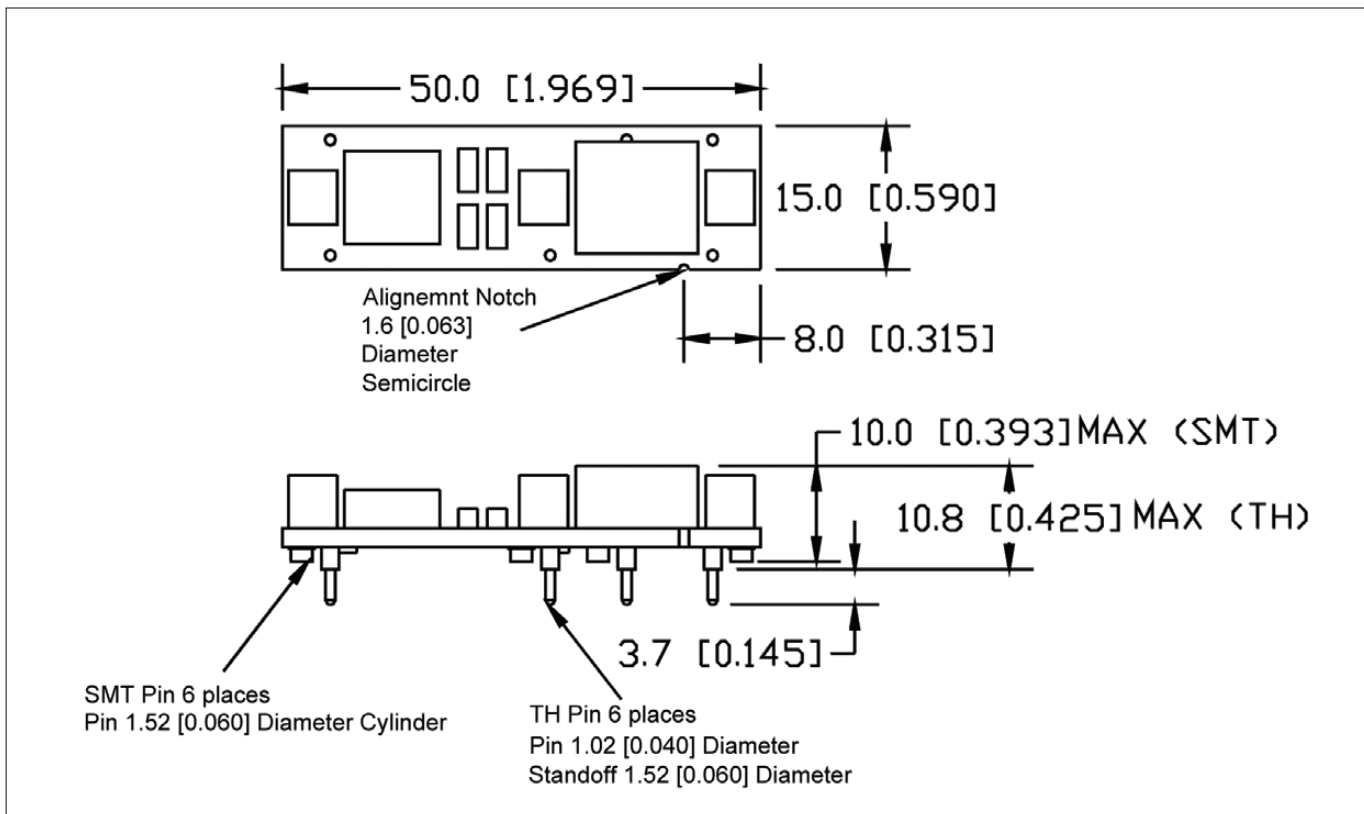
Model Selector			
Model	Surface Mount	Through Hole Mount Pins	Pin 6 Populated*
iDQ48010A480V-001-R ⁽²⁾	X		X
iDQ48010A480V-002-R		0.145"	
iDQ48010A480V-003-R ⁽²⁾		0.145"	X

(2) Contact factory for status

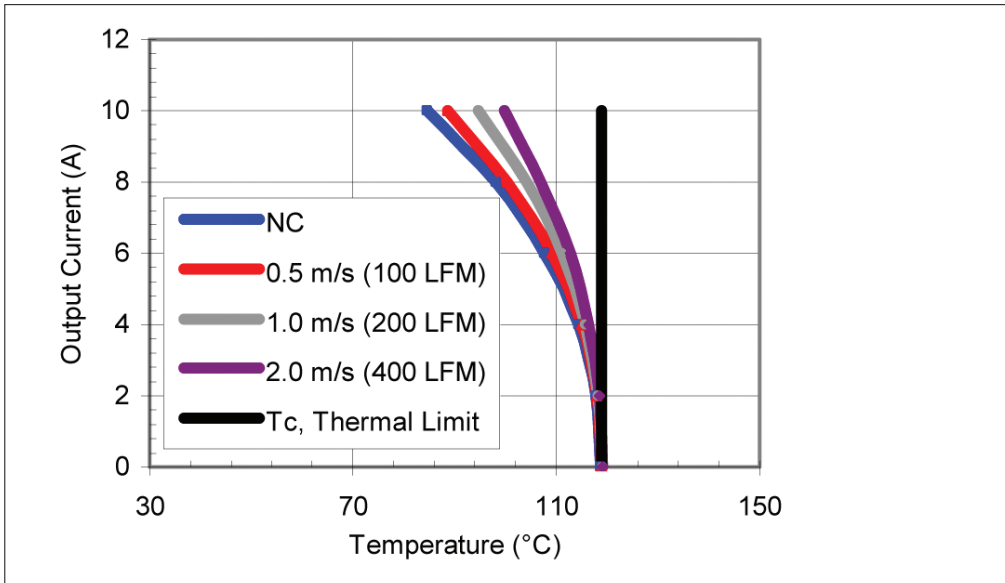
Preferred

* Additional capacitance can be placed between pin 3 and pin 6, and also between pin 4 and pin 3 to increase the common mode noise attenuation.

Outline Drawing iDQ Series

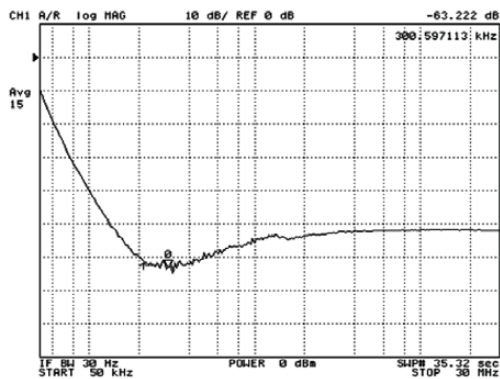


Output Derating Curve iDQ Series

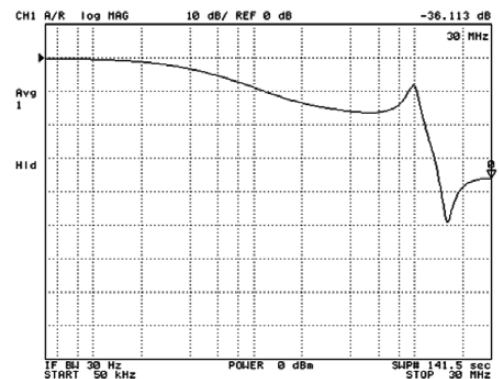


Attenuation Characteristics iDQ Series

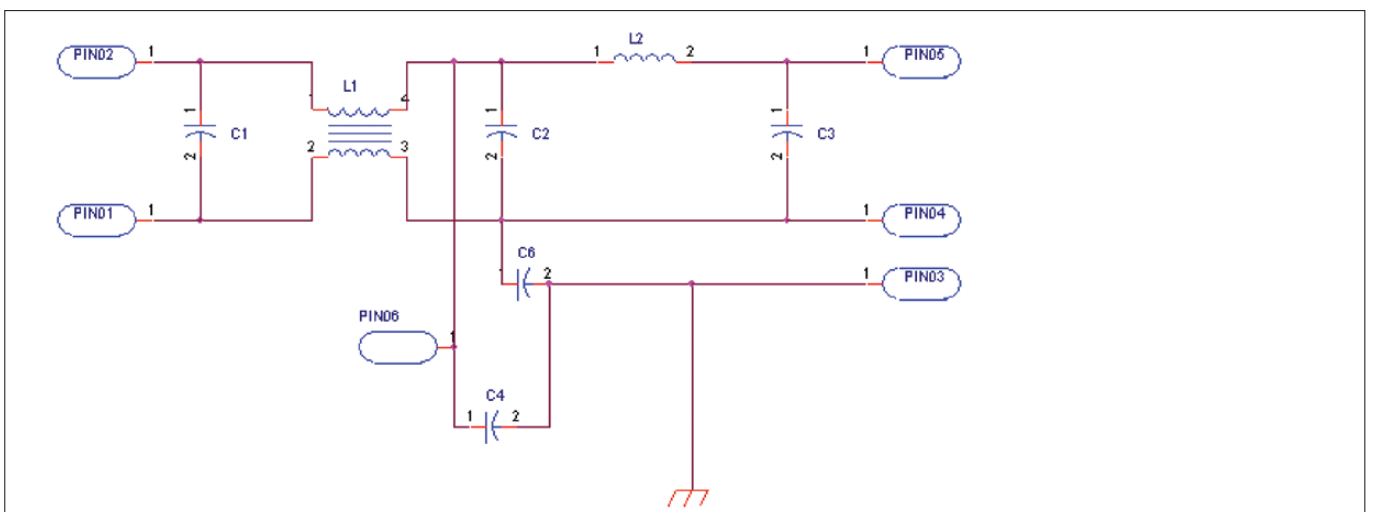
Typical Differential Mode Attenuation



Typical Common Mode Attenuation



iDQ Series Circuit





TDK-Lambda France SAS

Tel: +33 1 60 12 71 65
 tlf.fr.powersolutions@tdk.com
 www.emea.lambda.tdk.com/fr



Italy Sales Office

Tel: +39 02 61 29 38 63
 tlf.it.powersolutions@tdk.com
 www.emea.lambda.tdk.com/it



Netherlands

tlf.nl.powersolutions@tdk.com
 www.emea.lambda.tdk.com/nl



TDK-Lambda Germany GmbH

Tel: +49 7841 666 0
 tlq.powersolutions@tdk.com
 www.emea.lambda.tdk.com/de



Austria Sales Office

Tel: +43 2256 655 84
 tlq.at.powersolutions@tdk.com
 www.emea.lambda.tdk.com/at



Switzerland Sales Office

Tel: +41 44 850 53 53
 tlq.ch.powersolutions@tdk.com
 www.emea.lambda.tdk.com/ch



Nordic Sales Office

Tel: +45 8853 8086
 tlq.dk.powersolutions@tdk.com
 www.emea.lambda.tdk.com/dk



TDK-Lambda UK Ltd.

Tel: +44 (0) 12 71 85 66 66
 tlu.powersolutions@tdk.com
 www.emea.lambda.tdk.com/uk



TDK-Lambda Ltd.

Tel: +9 723 902 4333
 tli.powersolutions@tdk.com
 www.emea.lambda.tdk.com/il-en



TDK-Lambda Americas

Tel: +1 800-LAMBDA-4 or 1-800-526-2324
 tla.powersolutions@tdk.com
 www.us.lambda.tdk.com



TDK Electronics do Brasil Ltda

Tel: +55 11 3289-9599
 sales.br@tdk-electronics.tdk.com
 www.tdk-electronics.tdk.com/en



TDK-Lambda Corporation

Tel: +81-3-6778-1113
 www.jp.lambda.tdk.com



TDK-Lambda (China) Electronics Co. Ltd.

Tel: +86 21 6485-0777
 tlc.powersolutions@tdk.com
 www.lambda.tdk.com.cn



TDK-Lambda Singapore Pte Ltd.

Tel: +65 6251 7211
 tfs.marketing@tdk.com
 www.sg.lambda.tdk.com



TDK India Private Limited, Power Supply Division

Tel: +91 80 4039-0660
 mathew.philip@tdk.com
 www.sg.lambda.tdk.com

