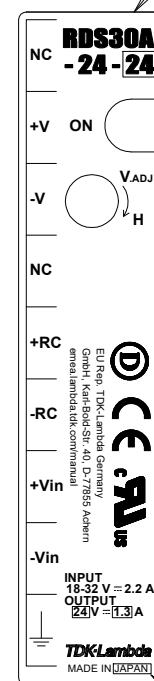
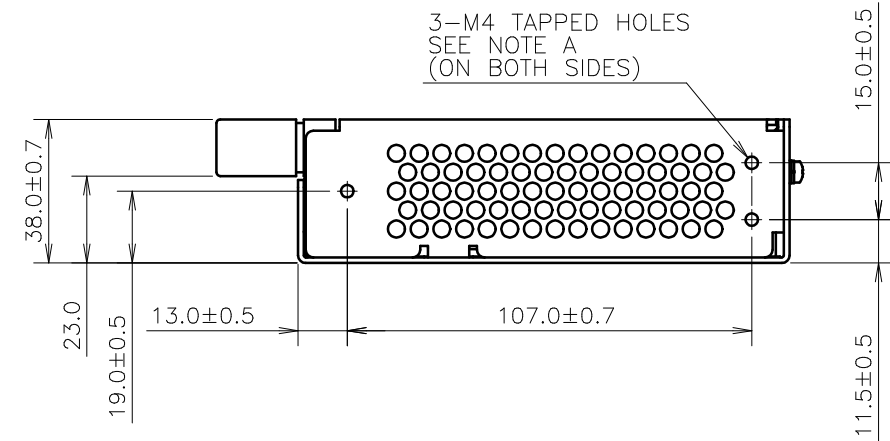


NAME PLATE

SEE NOTE B



SEE NOTE C



NOTES

- A : M4 TAPPED HOLES  
10 POINTS FOR CUSTOMER CHASSIS MOUNTING.  
SCREWS MUST NOT BE PROTRUDE INTO POWER SUPPLY BY 7mm.
- B : MODEL NAME, INPUT VOLTAGE, NOMINAL OUTPUT VOLTAGE,  
AND MAXIMUM OUTPUT CURRENT ARE SHOWN HERE  
IN ACCORDANCE WITH THE SPECIFICATIONS.
- C : COUNTRY OF MANUFACTURE WILL BE SHOWN HERE.
- D :  $\perp$  IS PROTECTIVE BONDING TERMINAL.
- TOLERANCE : ±1mm UNLESS OTHERWISE SPECIFIED.

(unit : mm)

MODEL NAME	RDS30A-24
<b>TDK-Lambda</b>	

FA005-02-01