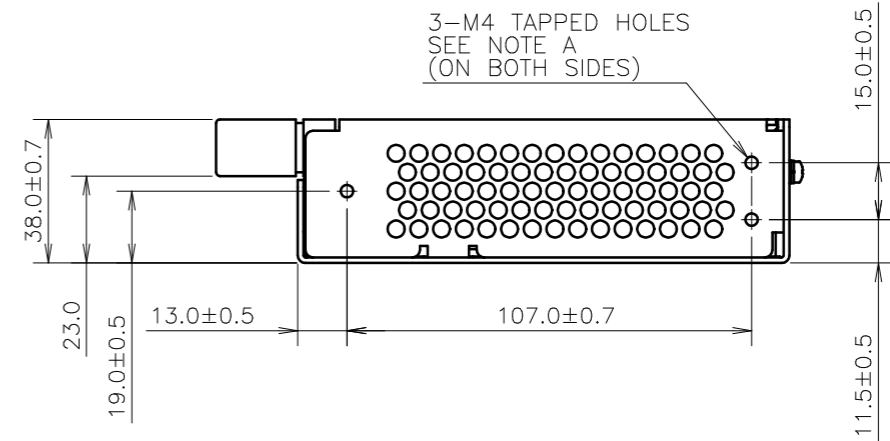
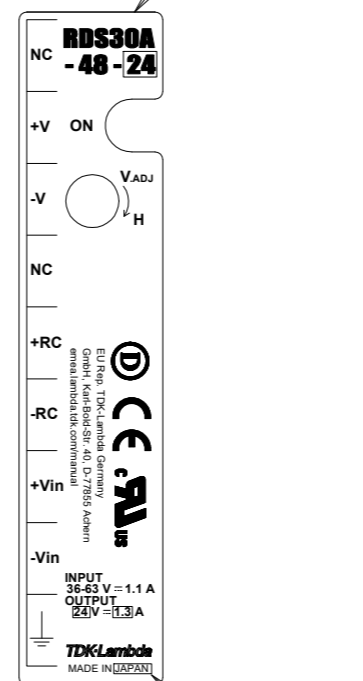


NAME PLATE

SEE NOTE B



NOTES

A : M4 TAPPED HOLES
10 POINTS FOR CUSTOMER CHASSIS MOUNTING.
SCREWS MUST NOT BE PROTRUDE INTO POWER SUPPLY BY 7mm.

B : MODEL NAME, INPUT VOLTAGE, NOMINAL OUTPUT VOLTAGE,
AND MAXIMUM OUTPUT CURRENT ARE SHOWN HERE
IN ACCORDANCE WITH THE SPECIFICATIONS.

C : COUNTRY OF MANUFACTURE WILL BE SHOWN HERE.

D : \perp IS PROTECTIVE BONDING TERMINAL.

TOLERANCE : ±1mm UNLESS OTHERWISE SPECIFIED.

(unit : mm)

MODEL NAME	RDS30A-48
TDK-Lambda	

FA009-02-01