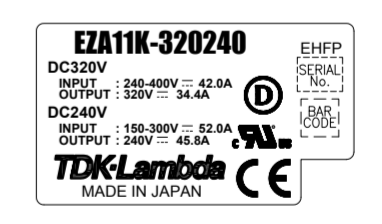
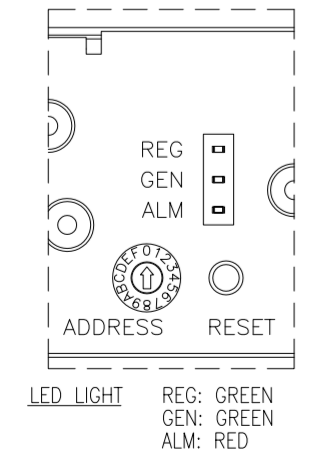


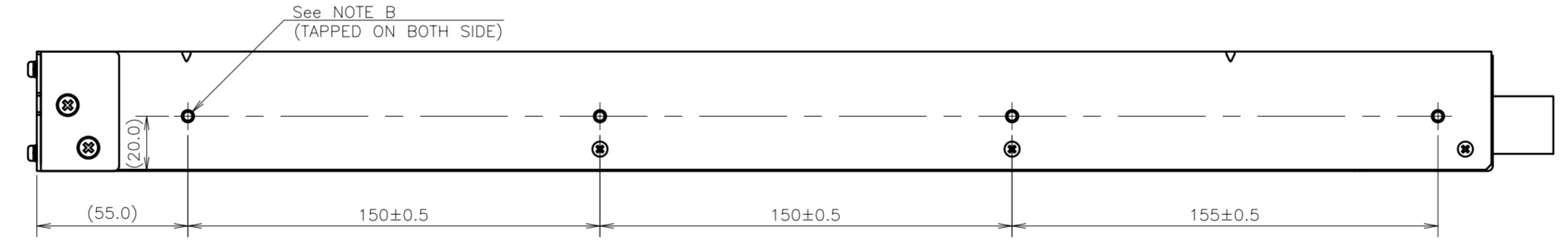
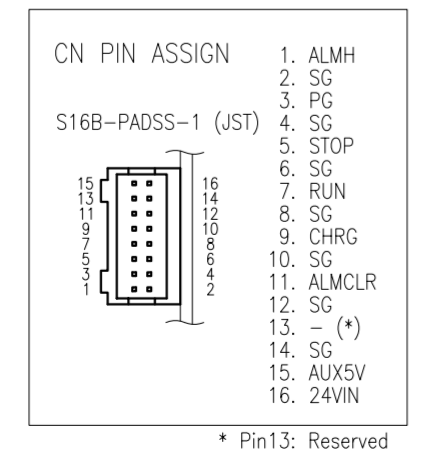
NAME PLATE DETAILS



FRONT DISPLAY DETAILS



SIGNAL CONNECTOR INFORMATION



== SIGNAL CONNECTOR USED ==

PART DESCRIPTION	PART NAME	MANUFACT
PIN HEADER	S16B-PADSS-1(LF)(SN)	JST

== MATCHING HOUSINGS, PINS & TOOL ==

PART DESCRIPTION	PART NAME	MANUFACT
SOCKET HOUSING	PADP-16V-1-S	JST
TERMINAL PINS	SPH-001T-P0.5L(AWG26~22) SPH-002T-P0.5L(AWG28~24)	JST
HAND CRIMPING TOOL	AP-K2N	JST

== RS 485 CONNECTOR USED ==

PART DESCRIPTION	PART NAME	MANUFACT
PIN HEADER	TM21R-5C-88(50)	HIROSE

== NOTES ==

- A : MODEL NAME, NOMINAL OUTPUT VOLTAGE AND NOMINAL OUTPUT CURRENT ARE SHOWN IN THE NAME PLATE IN ACCORDANCE WITH THE SPECIFICATIONS.
- B : M4 TAPPED HOLES (ON EACH SIDE net.4) FOR CUSTOMER CHASSIS MOUNTING. (SCREW PENETRATION DEPTH 6mm MAX.)