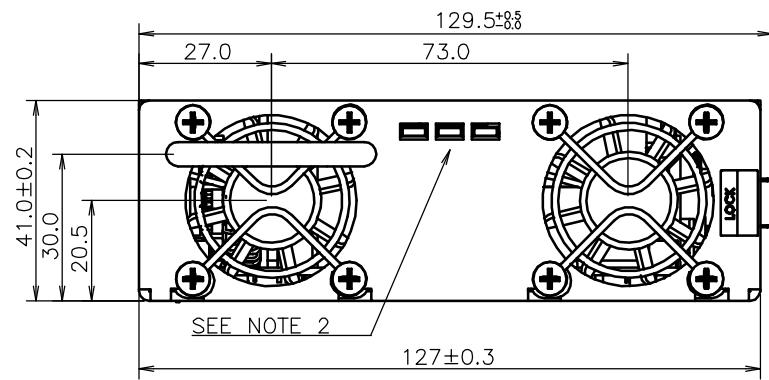
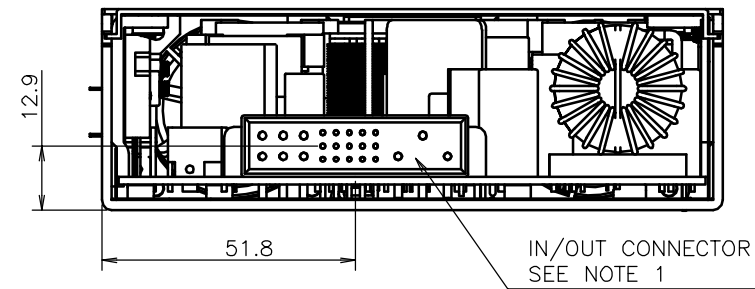


FRONT VIEW

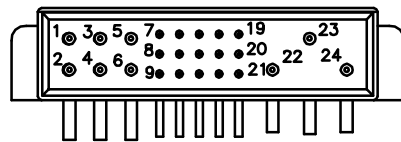


REAR VIEW



NOTES

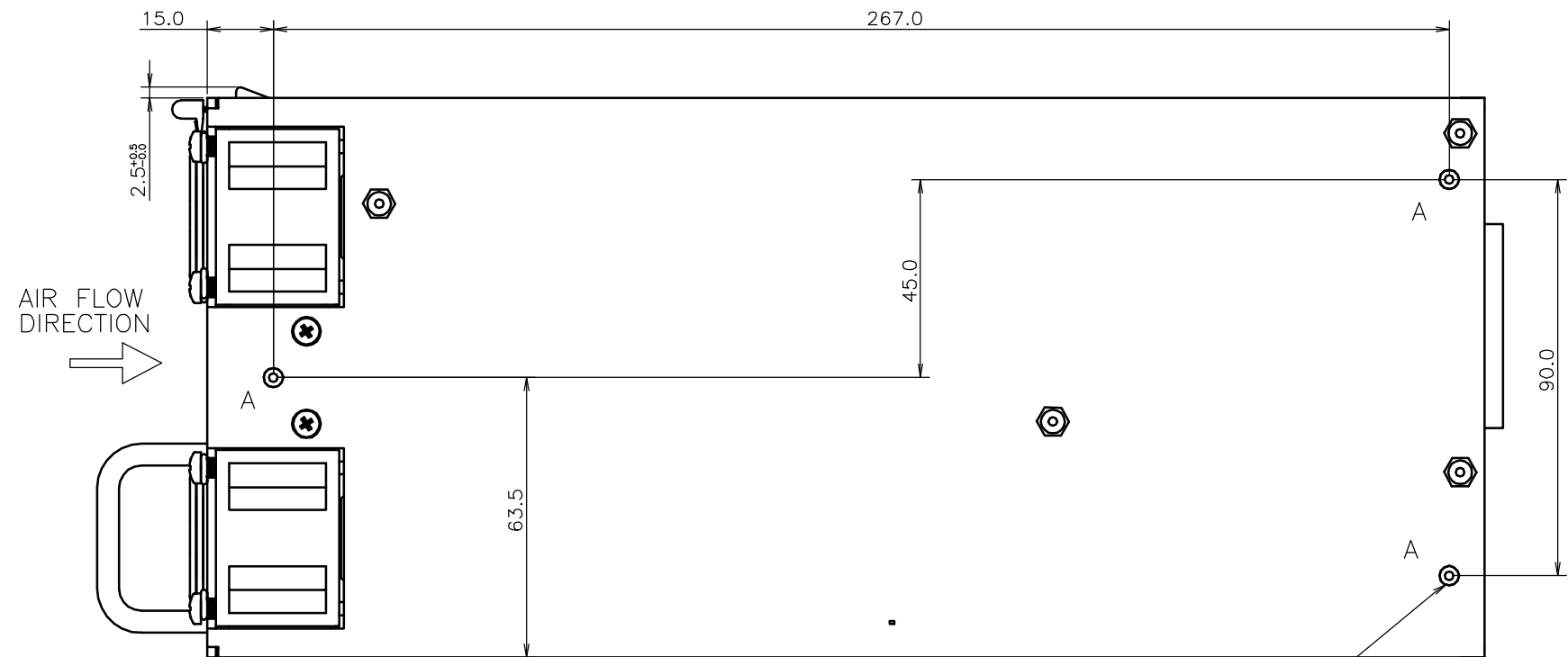
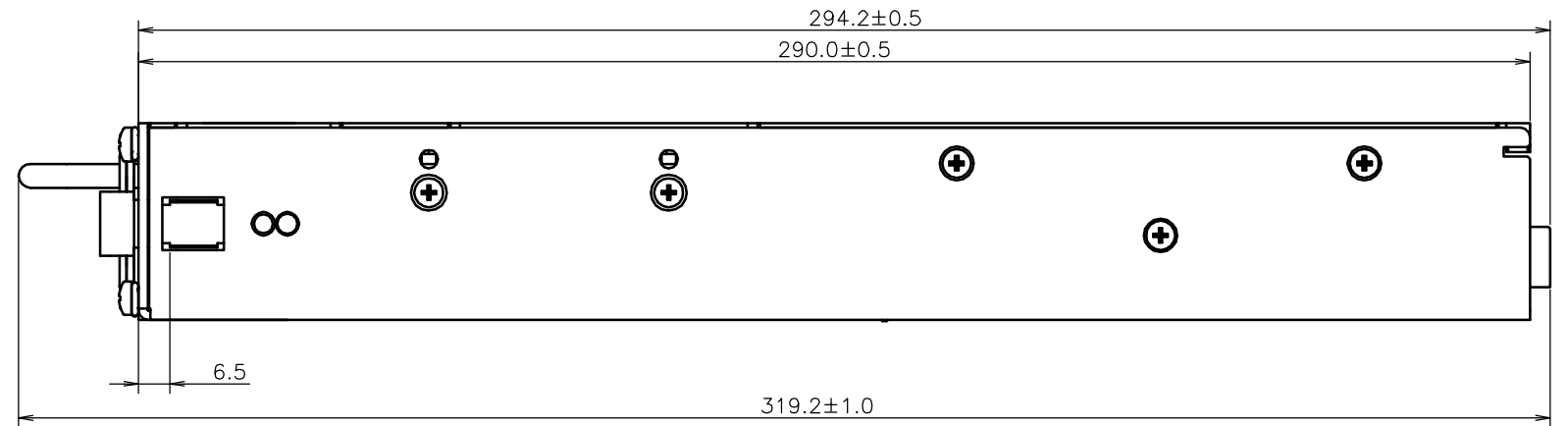
- CONNECTOR TYPE: PCIB24W9M400A1, POSITRONIC.
FEMALE CONNECTOR TYPE: PCIB24W9F400A1.
- LED INDICATORS. REFER TO INSTRUCTION MANUAL.
- MOUNTING SCREWS MUST NOT PENETRATE MORE THAN 3mm INTO THE UNIT.
- MODEL NAME ,INPUT AND OUTPUT RATING AND SAFETY APPROVALS SYMBOLS ARE DESCRIBED ON TOP SURFACE LABEL.
- ALLOW MINIMUM 50 mm OF UNRESTRICTED AIR SPACE AT THE REAR OF UNIT.
DO NOT OBSTRUCT AIR FLOW TO THE UNIT FRONT PANEL.
- IN OUT CONNECTOR BACK VIEW AND PINS ASSIGNMENT:



PIN NUMBER.	FUNCTION
1	+v
2	+v
3	-v
4	+v
5	-v
6	-v
7	ON/OFF
8	+S

PIN NUMBER.	FUNCTION
9	DC_OK
10	SIGNAL_RTN
11	AC_FAIL
12	TEMP_ALARM
13	-S
14	V_TRIM
15	CS
16	+12V_AUX

PIN NUMBER.	FUNCTION
17	SDA (I ² C)
18	SCL (I ² C)
19	A0 (I ² C)
20	A1 (I ² C)
21	A2 (I ² C)
22	ACG
23	ACL
24	ACN



3 MOUNTING HOLES M3
MARKED "A"
SEE NOTE 3

(unit : mm)

MODEL NAME	FPS1000
DENSEI-LAMBDA	

IA599-02-01A