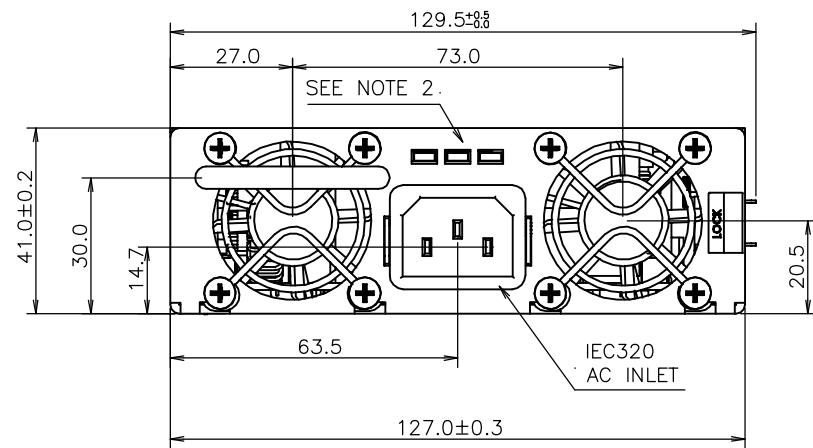
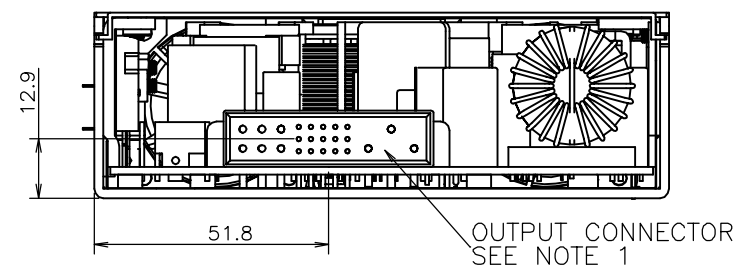


FRONT VIEW

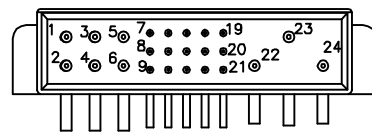


REAR VIEW



NOTES

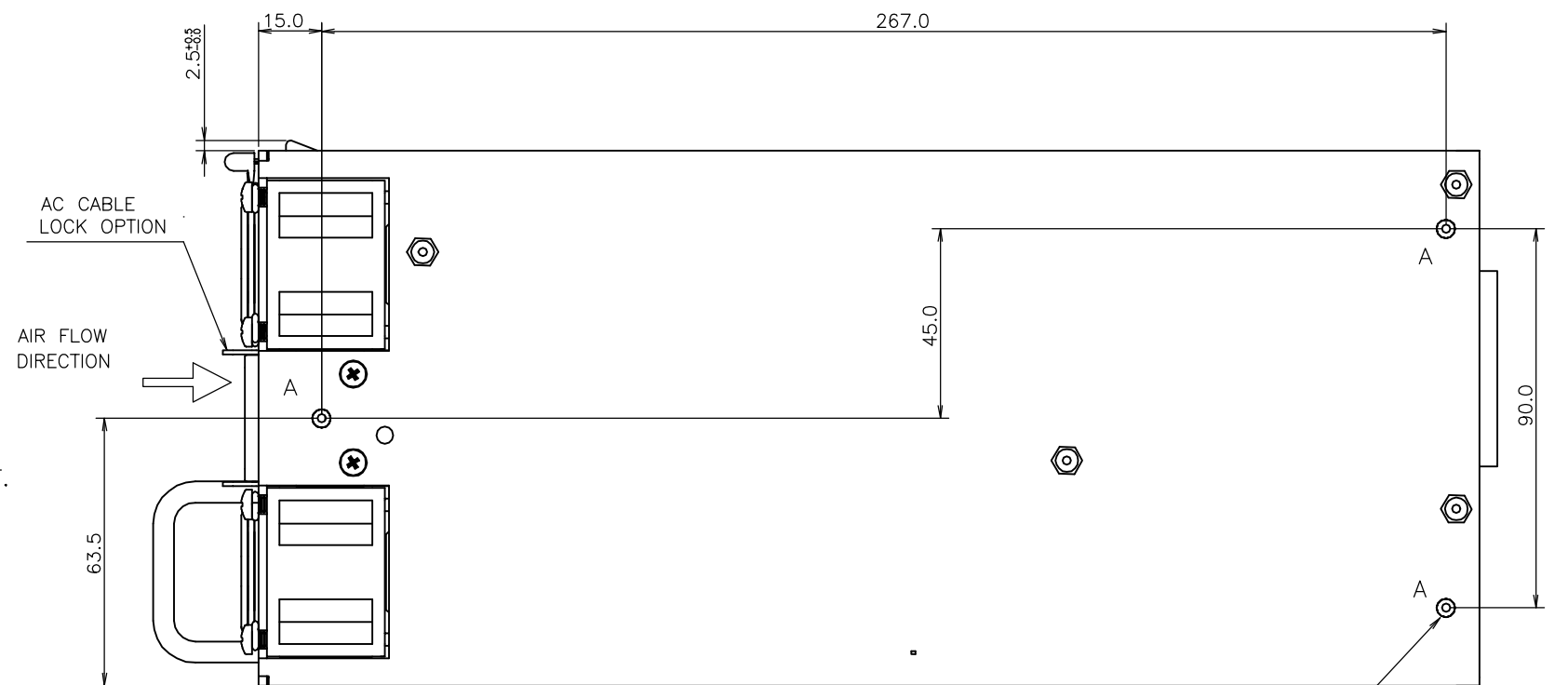
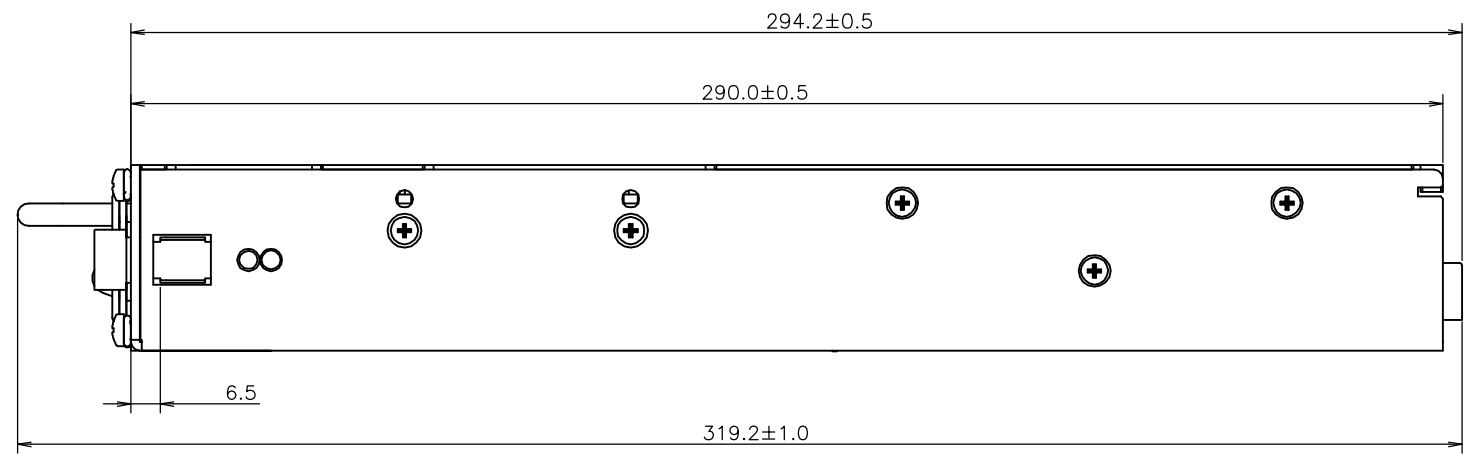
- CONNECTOR TYPE: PCIB24W9M400A1, POSITRONIC.  
FEMALE CONNECTOR TYPE: PCIB24W9F400A1.
- LED INDICATORS. REFER TO INSTRUCTION MANUAL.
- MOUNTING SCREWS MUST NOT PENETRATE MORE THAN 3mm INTO THE UNIT.
- MODEL NAME, INPUT AND OUTPUT RATING AND SAFETY APPROVALS SYMBOLS ARE DESCRIBED ON TOP SURFACE LABEL.
- ALLOW MINIMUM 50 mm OF UNRESTRICTED AIR SPACE AT THE REAR OF UNIT. DO NOT OBSTRUCT AIR FLOW TO THE UNIT FRONT PANEL.
- IN OUT CONNECTOR BACK VIEW AND PINS ASSIGNMENT:



PIN NUMBER.	FUNCTION
1	+v
2	+v
3	-v
4	+v
5	-v
6	-v
7	ON/OFF
8	+S

PIN NUMBER.	FUNCTION
9	DC_OK
10	SIGNAL_RTN
11	AC_FAIL
12	TEMP_ALARM
13	-S
14	V_TRIM
15	CS
16	+12V_AUX

PIN NUMBER.	FUNCTION
17	SDA (I <sup>2</sup> C)
18	SCL (I <sup>2</sup> C)
19	A0 (I <sup>2</sup> C)
20	A1 (I <sup>2</sup> C)
21	A2 (I <sup>2</sup> C)
22	NC
23	NC
24	NC



3 MOUNTING HOLES M3  
MARKED "A"  
SEE NOTE 3

(unit : mm)

MODEL NAME	FPS1000/P
<b>DENSEI-LAMBDA</b>	

IA599-02-02A