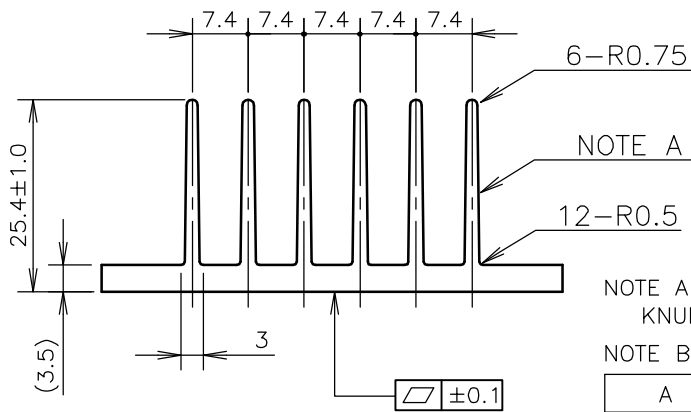


Unless otherwise specified dimensional tolerance as follows:

| DIMENSION (mm) | TOLERANCE \pm mm |
|----------------|--------------------|
| 1-16 | 0.1 |
| 16.1-63 | 0.2 |
| 63.1-250 | 0.3 |
| 250.1-1000 | 0.5 |



NOTE A
KNURLING ON FIN

NOTE B

| | A | B | C | D |
|---------|--------|---------|---------|---|
| HAF-10L | 14.4mm | 106.7mm | 116.8mm | |
| HAH-10L | 0.0mm | 48.3mm | 57.9mm | |

(unit : mm)

| TITLE | HAF-10L HAH-10L |
|----------------------|--------------------|
| DENSEI-LAMBDA | |