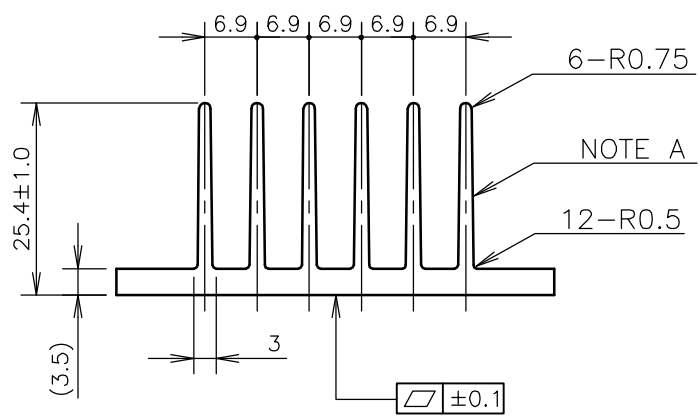
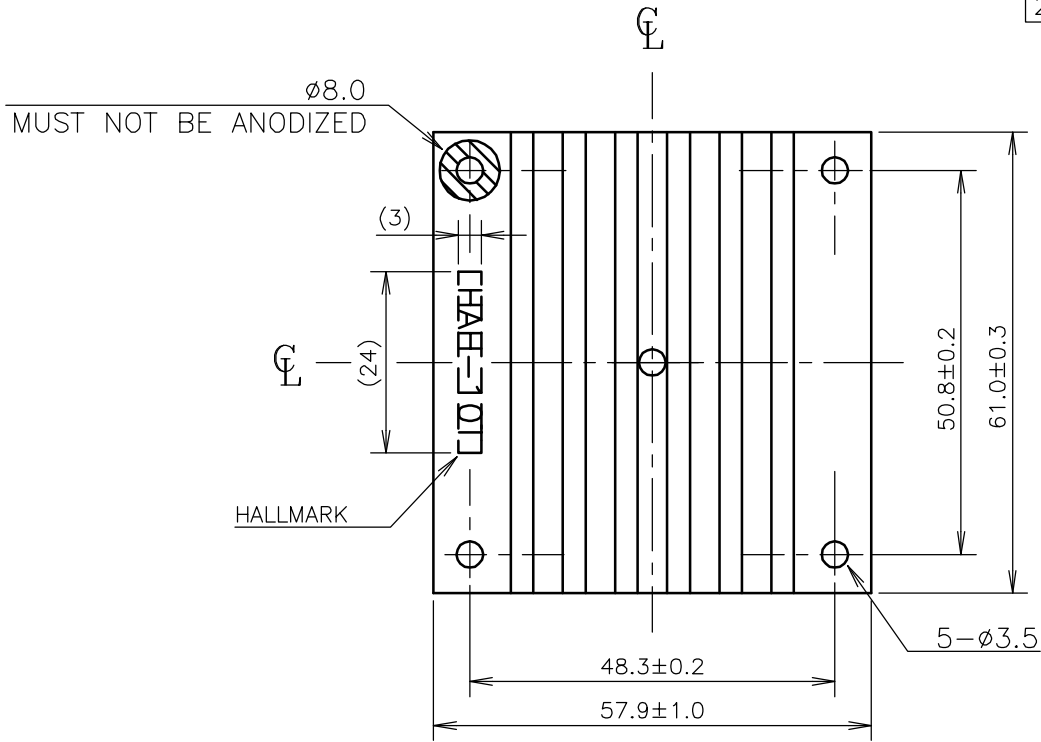


Unless otherwise specified dimensional tolerance as follows:	
DIMENSION (mm)	TOLERANCE ±mm
1-16	0.1
16.1-63	0.2
63.1-250	0.3
250.1-1000	0.5



NOTE A  
KNURLING ON FIN

(unit : mm)

TITLE	HAH-10T
<b>DENSEI-LAMBDA</b>	