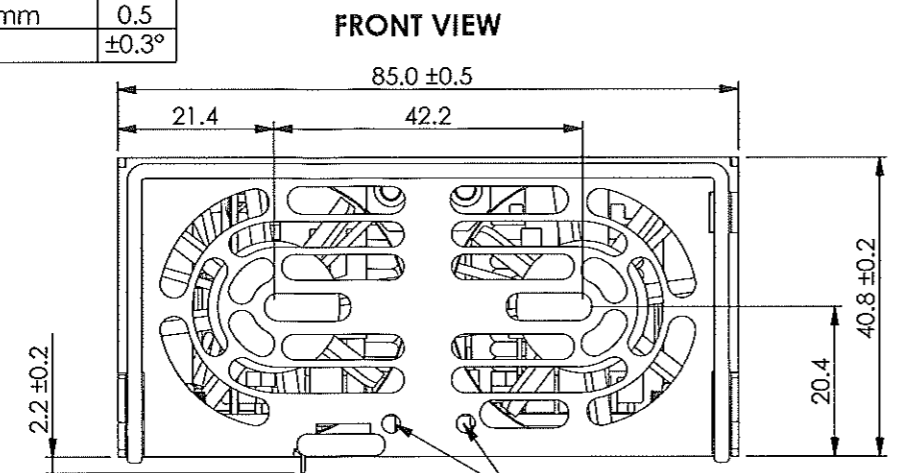
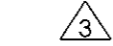


D	CONTENTS	DATE	ENGR	CHK	APPD
A	1-2 REV: D1	06.FEB.2011			
B	3-4 REV: D2	31.MAR.2011			Dorow

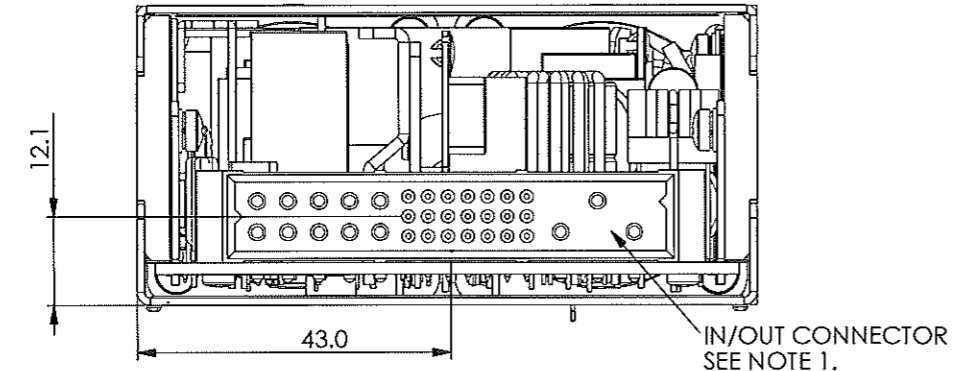
TOLERANCES/±	
1-16mm	0.1
16.1-63mm	0.2
63.1-250mm	0.3
250.1-1000mm	0.5
ANGLE	±0.3°



SEE NOTE 2
POWER SUPPLY LOCKING

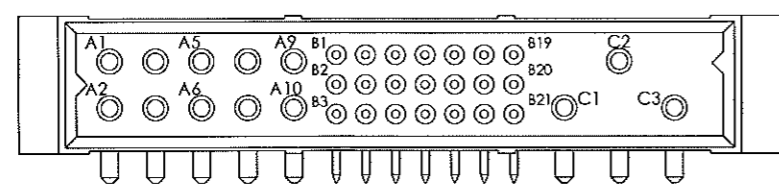


REAR VIEW

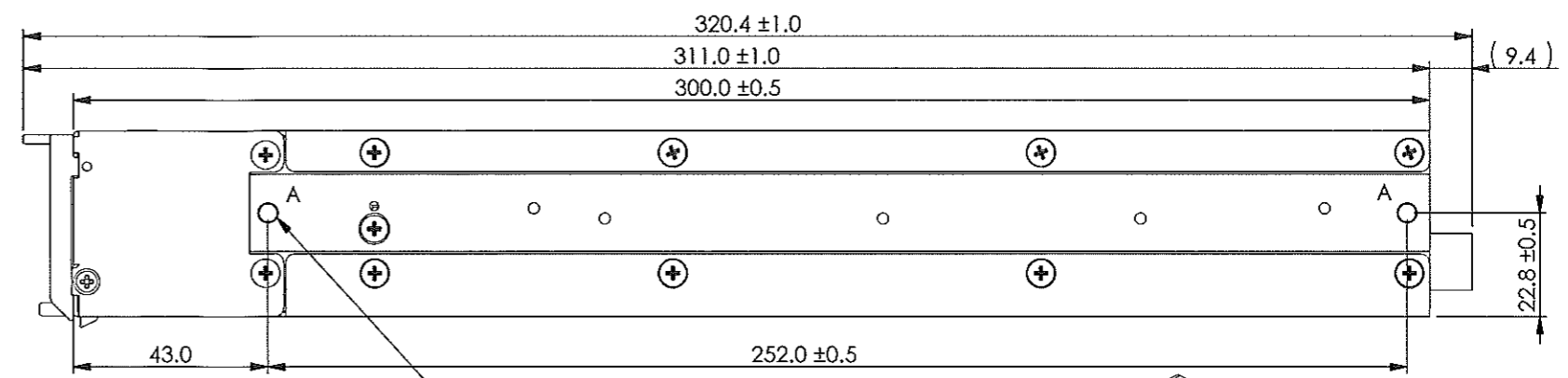


IN/OUT CONNECTOR
SEE NOTE 1.

IN/OUT CONNECTOR REAR VIEW

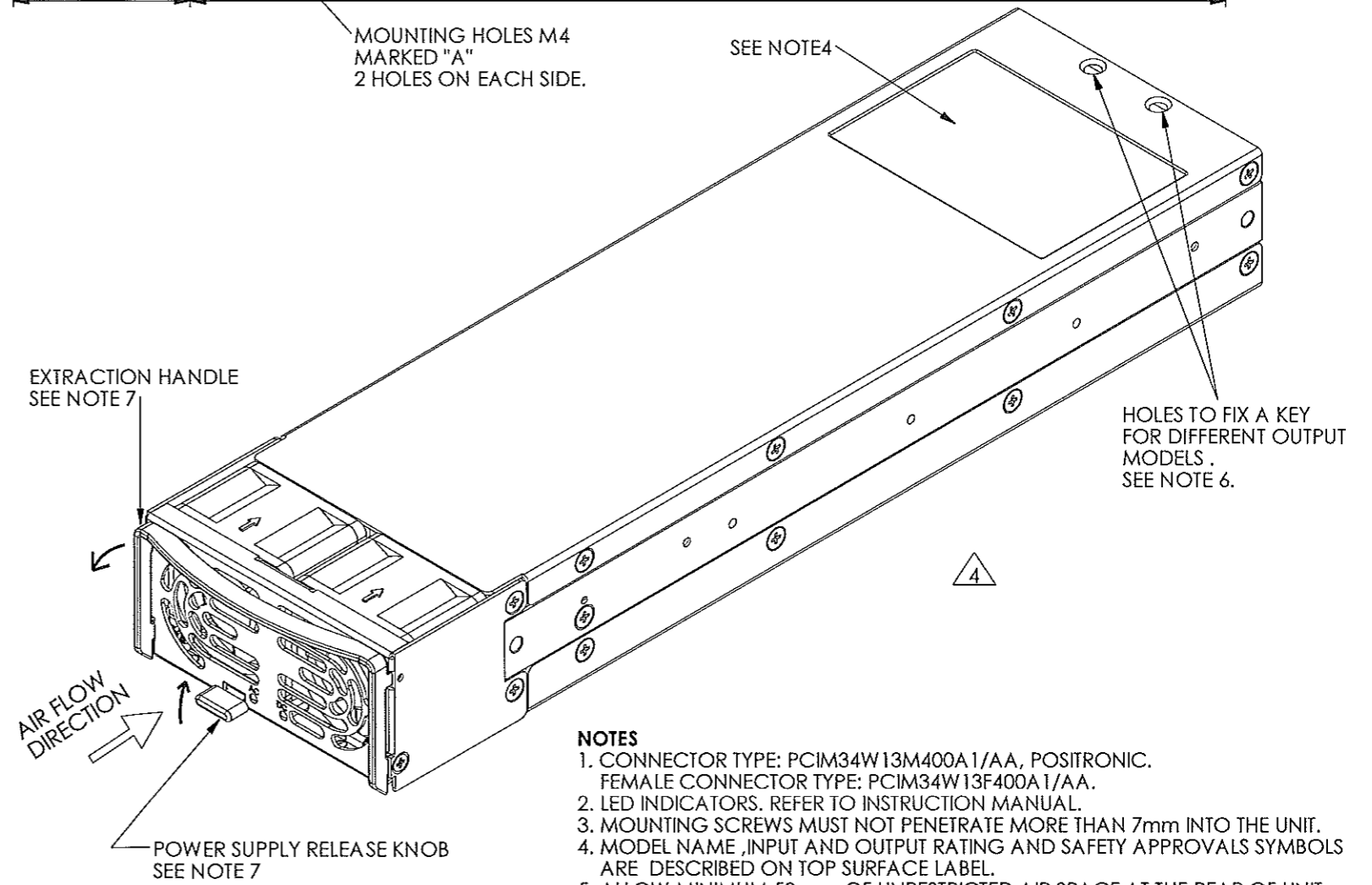


PIN No	FUNCTION	PIN No	FUNCTION
A1 ~ A5	-V OUT	B12	INHIBIT
A6 ~ A10	+V OUT	B13	SCL (PMBus)
B1	SIGNAL RETURN	B14	A1 (PMBus)
B2	PS EXIST	B15	DC OK
B3	AUX_OUT (+12V)	B16	A0 (PMBus)
B4	-SENSE	B17	SDA (PMBus)
B5	A2 (PMBus)	B18	TEMP. ALARM
B6	CURRENT SHARE	B19	V REFERENCE OUT
B7	ENABLE	B20	SMB ALERT (PMBus)
B8	VOLTAGE ROGRAMMING	B21	AC FAIL
B9	+SENSE	C1	CHASSIS GROUND
B10	A3 (PMBUS)	C2	AC NEUTRAL
B11	NC	C3	AC LINE



MOUNTING HOLES M4
MARKED "A"
2 HOLES ON EACH SIDE.

SEE NOTE 4



NOTES

- CONNECTOR TYPE: PCIM34W13M400A1/AA, POSITRONIC. FEMALE CONNECTOR TYPE: PCIM34W13F400A1/AA.
- LED INDICATORS. REFER TO INSTRUCTION MANUAL.
- MOUNTING SCREWS MUST NOT PENETRATE MORE THAN 7mm INTO THE UNIT.
- MODEL NAME, INPUT AND OUTPUT RATING AND SAFETY APPROVALS SYMBOLS ARE DESCRIBED ON TOP SURFACE LABEL.
- ALLOW MINIMUM 50 mm OF UNRESTRICTED AIR SPACE AT THE REAR OF UNIT. DO NOT OBSTRUCT AIR FLOW TO THE UNIT FRONT PANEL.
- REFER TO INSTRUCTION MANUAL FOR SETTING DETAILS.
- TO EXTRACT THE POWER SUPPLY, ELEVATE AND HOLD THE RELEASE KNOB AND PULL THE EXTRACTION HANDLE.

DWG	R.GEORGE 03. Apr. 2011	SHEET	OF	MATERIALS	TITLE	HFE1600
ENGR	R.GEORGE 03. Apr 2011	1	1			OUTLINE DRAWING
CHK	03/04/2011	SCALE	NONE	FINISH	DRAWING No.	IA688-02-01 - B
APPD	Dorow P. Apr-5-11	UNITS	mm			
ISSUED	Apr-5-11					TDK-Lambda