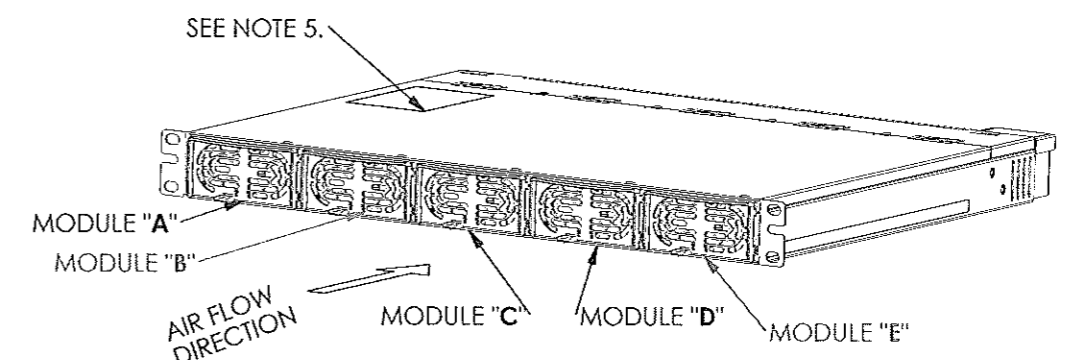
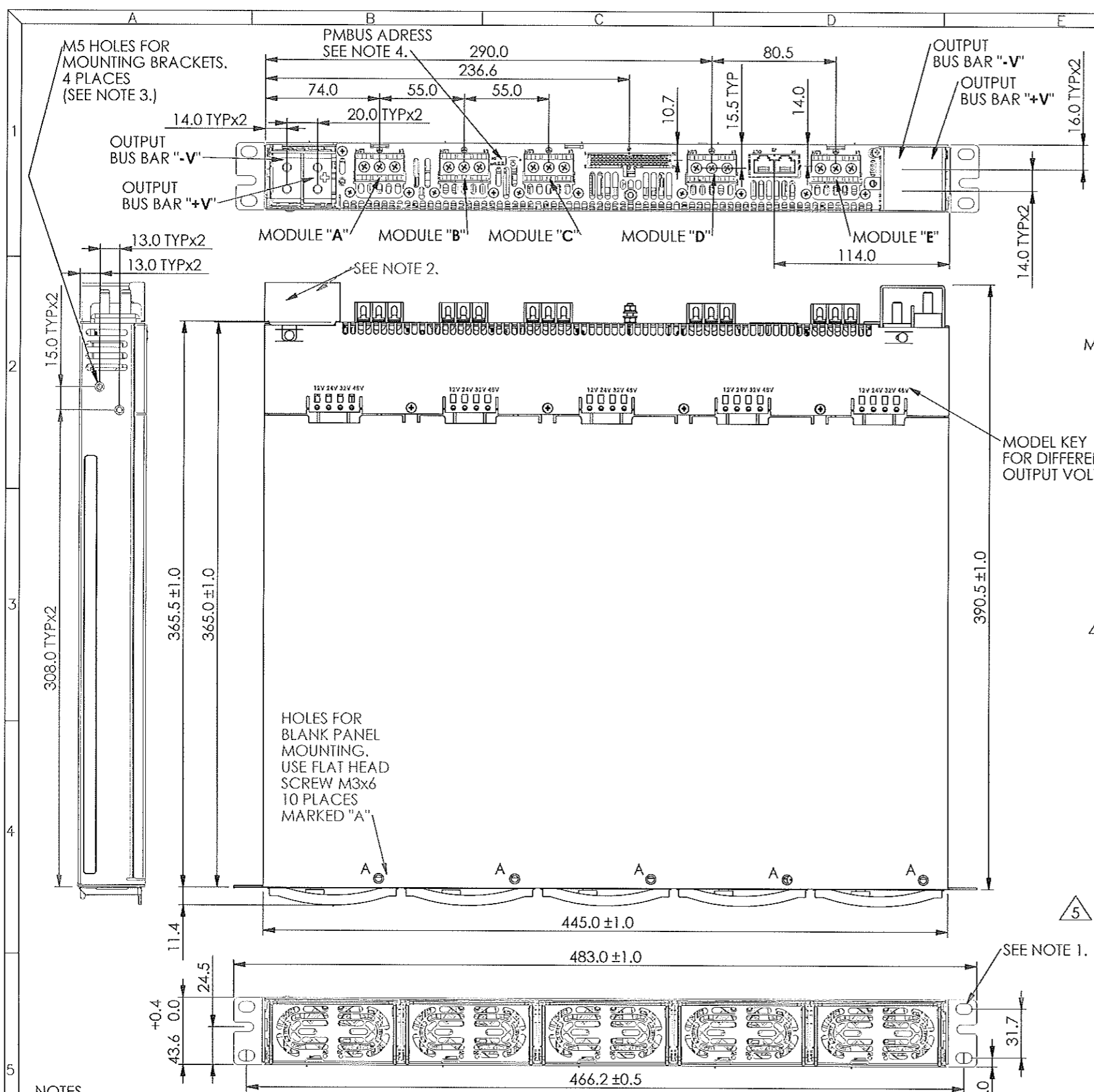
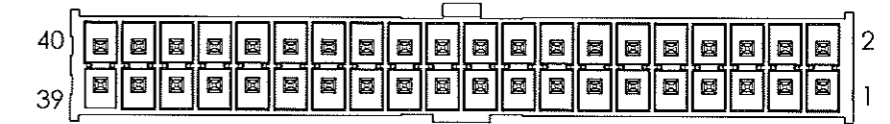


D	CONTENTS		DATE	ENGR	CHK	APPD
A	NEW DRAWING	REV.A1	17.NOV.2010			
B	NEW DRAWING	REV.C1	03.JAN.2011			
C	1-6	REV.C3	06.FEB.2011			
D	7		23.MAY.2011			



△ 2 △ 7

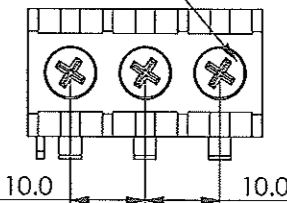
SIGNALS & CONTROL CONNECTOR PINS ASSIGNMENT  
CONNECTOR DESCRIPTION: IPLT1-120-01-L-D-RA-K(SAMTEC)  
MATING CONNECTOR: IPD1-20-D-K (SAMTEC)



△ 3			
1	-SENSE	11	TEMP_ALM_A
2	-LS	12	TEMP_ALM_B
3	+SENSE	13	TEMP_ALM_C
4	+LS	14	TEMP_ALM_D
5	V_RPOG	15	TEMP_ALM_E
6	TRIM	16	AC_FAIL_A
7	NC	17	AC_FAIL_B
8	+5V/V_REF (*1)	18	AC_FAIL_C
9	+5V/V_REF (*1)	19	AC_FAIL_D
10	-SENSE	20	AC_FAIL_E
21	DC_OK_A	31	INHIBIT_E
22	DC_OK_B	32	PS_EXIST_A
23	DC_OK_C	33	PS_EXIST_B
24	DC_OK_D	34	PS_EXIST_C
25	DC_OK_E	35	PS_EXIST_D
26	SIGNAL RETURN	36	PS_EXIST_E
27	INHIBIT_A	37	SIGNAL RETURN
28	INHIBIT_B	38	+12V_AUX
29	INHIBIT_C	39	ENABLE
30	INHIBIT_D	40	SIGNAL RETURN

△ 5 \*1.FOR HFE1600-xx/S WITH PMBUS OPTION :V\_REF  
FOR HFE1600-xx WITHOUT PMBUS OPTION :5V

△ 4 AC INPUT TB  
SEMS SCREW M4  
RECOMMENDED TORQUE  
14~16 Kgf.cm



- NOTES
1. MOUNTING HOLES FOR RACK 19". USE M6x12 SCREWS TO FIX THE UNIT TO RACK.
  2. USE NUT,FLAT WASHER AND SPRING WASHER FOR LOAD WIRES FIXING. USE LUG FOR STUD M6 FOR LOAD WIRES.RECOMMENDED TORQUE: 42-56 Kgf.cm
  3. TO FIX THE MOUNTING BRACKET TO THE CHASSIS USE M5x10 SEMS SCREWS .RECOMMENDED TIGHTENING TORQUE 27~31Kgf.cm. SCREWS MUST NOT PENETRATE THE CHASSIS MORE THAN 6.0 mm.
  4. REFER TO INSTRUCTION MANUAL FOR SETTING DETAILS.
  5. MODEL NAME, VOLTAGE AND CURRENT RATING AND SAFETY APPROVALS SYMBOLS WILL BE SHOWN HERE ACCORDING TO THE SPECIFICATION.

△ 6 THE HFE-S1U-TB RACK IS SHOWN WITH 5 HFE1600 UNITS INSTALLED.

DWG	R. GEORGE 23.May.11	SHEET	OF	MATERIALS	TITLE	HFE1600-S1U-TB
ENGR	R. GEORGE 23.May.11	1	1			OUTLINE DRAWING
CHK	21/01/101	SCALE	NONE	FINISH	DRAWING No.	IA705-02-02 - D
APPD	for 30.5.11	UNITS	mm			
ISSUED						TDK-Lambda