

**NOTES**

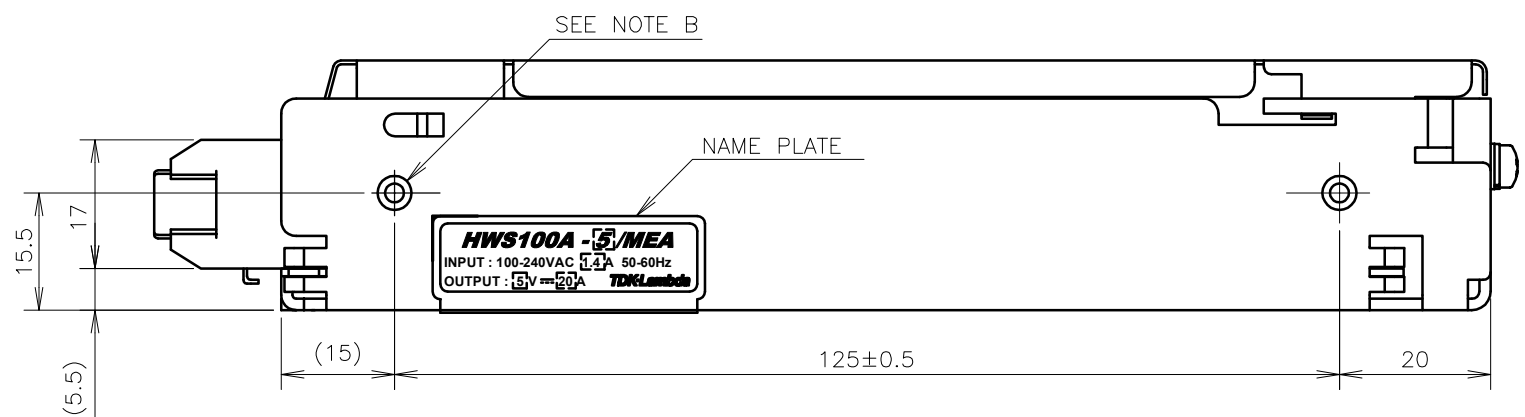
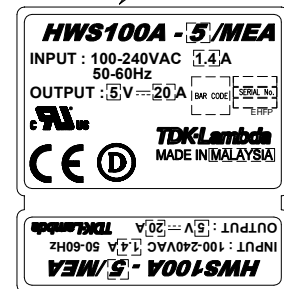
A : MODEL NAME, OPTION CODE, INPUT VOLTAGE RANGE, NOMINAL OUTPUT VOLTAGE, MAXIMUM OUTPUT CURRENT AND COUNTRY OF MANUFACTURE ARE SHOWN HERE IN ACCORDANCE WITH THE SPECIFICATIONS.

B : M3 EMBOSSED, TAPPED AND COUNTERSUNK HOLES (4) FOR CUSTOMER CHASSIS MOUNTING. SCREWS MUST NOT PROTRUDE INTO POWER SUPPLY BY MORE THAN 6mm.

**ACCESSORIES**

\* SHORT PIECE (NET 2) FOR SHORTING PURPOSE (+S~+V, -S~-V) : MOUNTED AT TIME OF SHIPMENT.

NAME PLATE SEE NOTE A



(unit : mm)

MODEL NAME	HWS100A/MEA
<b>TDK-Lambda</b>	

A258-02-01/MEA