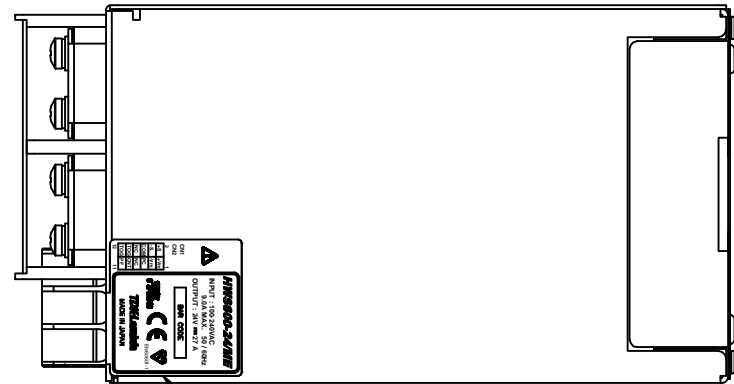
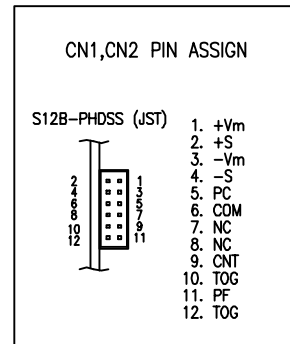
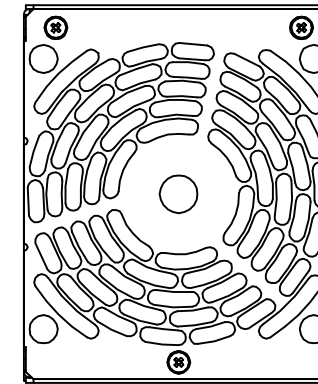


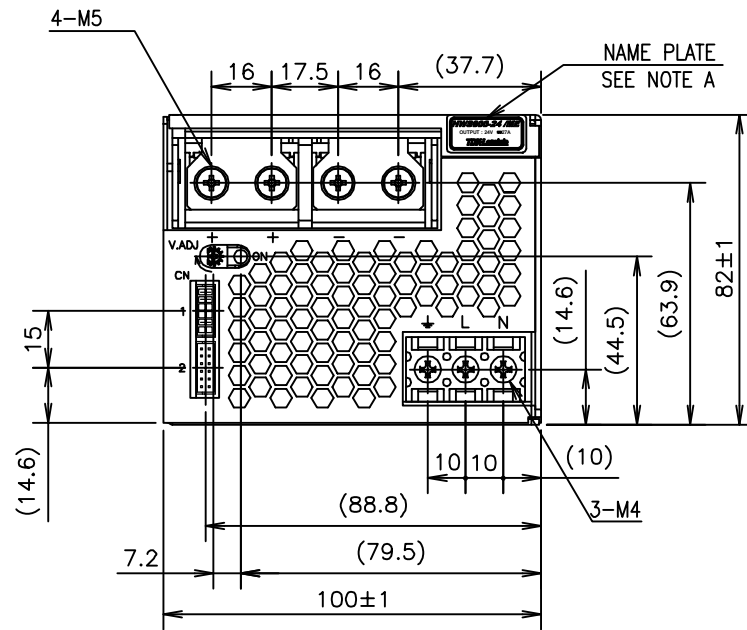
SIGNAL CONNECTOR INFORMATION



NAME PLATE
SEE NOTE A



AIR FLOW →



== ACCESSORIES ==

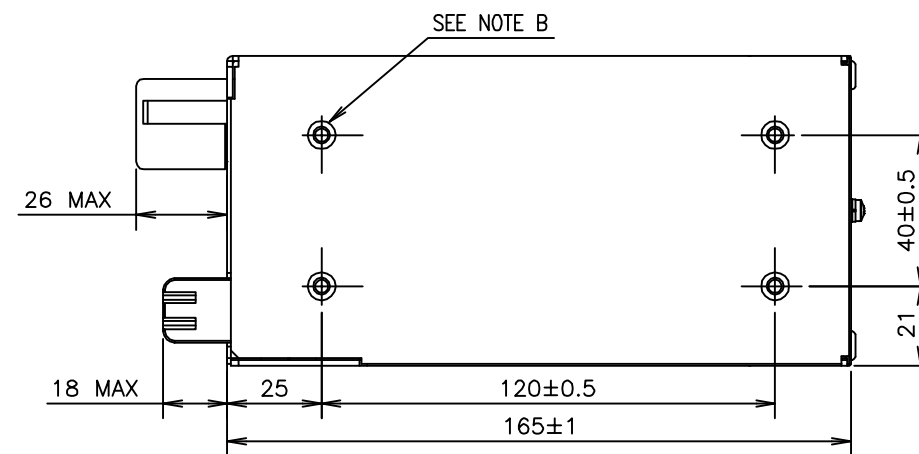
- * COVER FOR BARRIER TERMINAL STRIP -----1
(ATTACHED ON TERMINAL AT SHIPMENT)
- * SHORT PIECE -----1
SHORTING +Vm — +S, -Vm — -S, CNT — TOG
(ATTACHED ON CN1 AT SHIPMENT)

== SIGNAL CONNECTOR USED ==

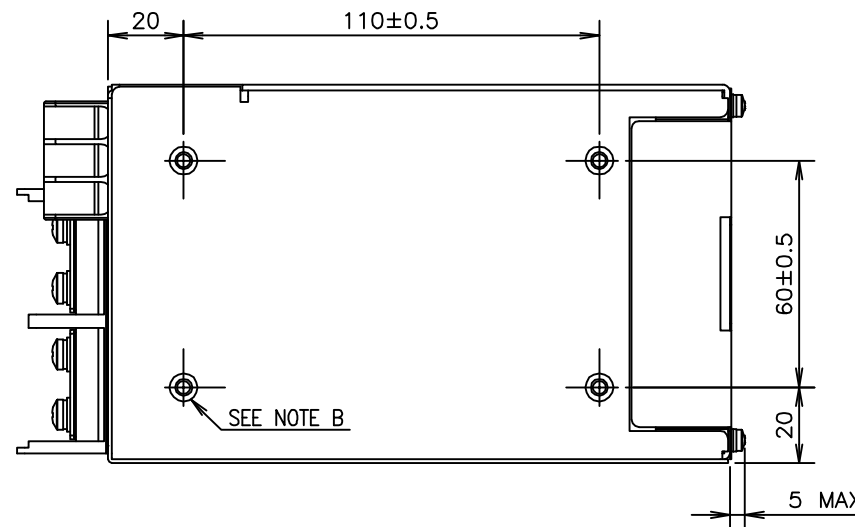
PART DESCRIPTION	PART NAME	MANUFACT
PIN HEADER	S12B-PHDSS	JST

== MATCHING HOUSINGS , PINS & TOOL ==

PART DESCRIPTION	PART NAME	MANUFACT
SOCKET HOUSING	PHDR-12VS	JST
TERMINAL PINS	SPHD-002T-P0.5(AWG28~24) SPHD-001T-P0.5(AWG26~22)	JST
HAND CRIMPING TOOL	YRS-620(SPHD-002T-P0.5) YC-610R(SPHD-001T-P0.5)	JST

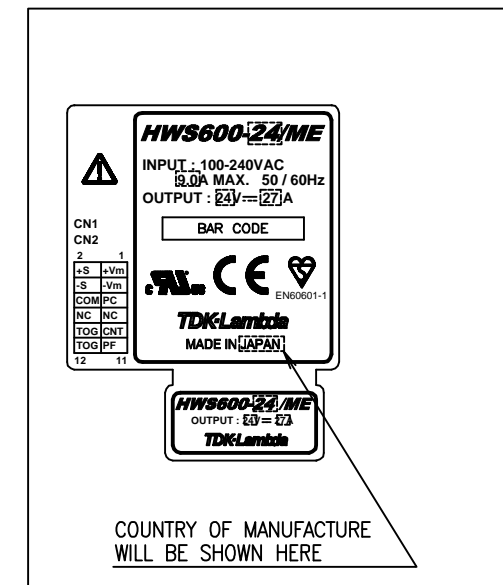


SEE NOTE B



SEE NOTE B

NAME PLATE DETAILS



COUNTRY OF MANUFACTURE
WILL BE SHOWN HERE

== NOTES ==

- A : MODEL NAME, NOMINAL OUTPUT VOLTAGE AND MAXIMUM OUTPUT CURRENT ARE SHOWN IN THE NAME PLATE IN ACCORDANCE WITH THE SPECIFICATIONS.
- B : M4 TAPPED HOLES (8) FOR CUSTOMER CHASSIS MOUNTING.
(SCREW PENETRATION DEPTH 6m/m MAX.)

(unit : mm)

MODEL	HWS600/ME
DENSEI-LAMBDA	
A232-02-01/ME-A	