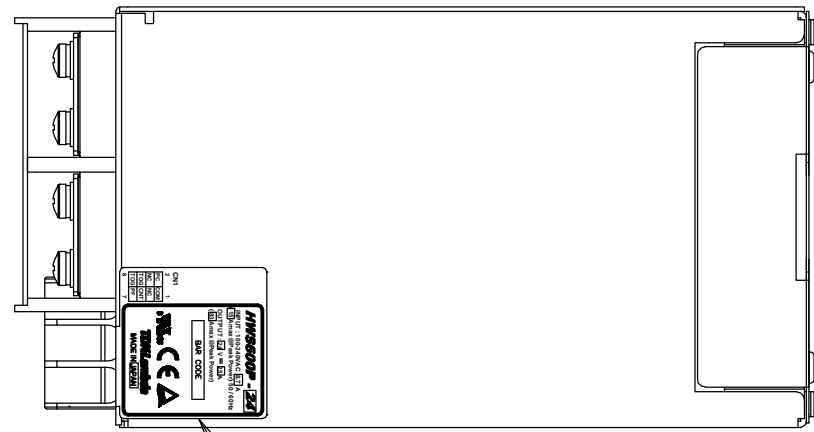
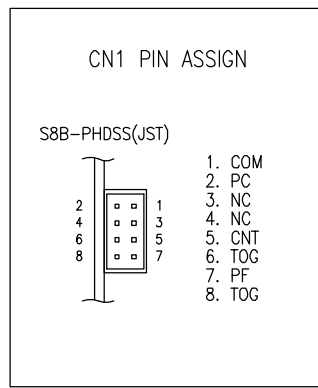
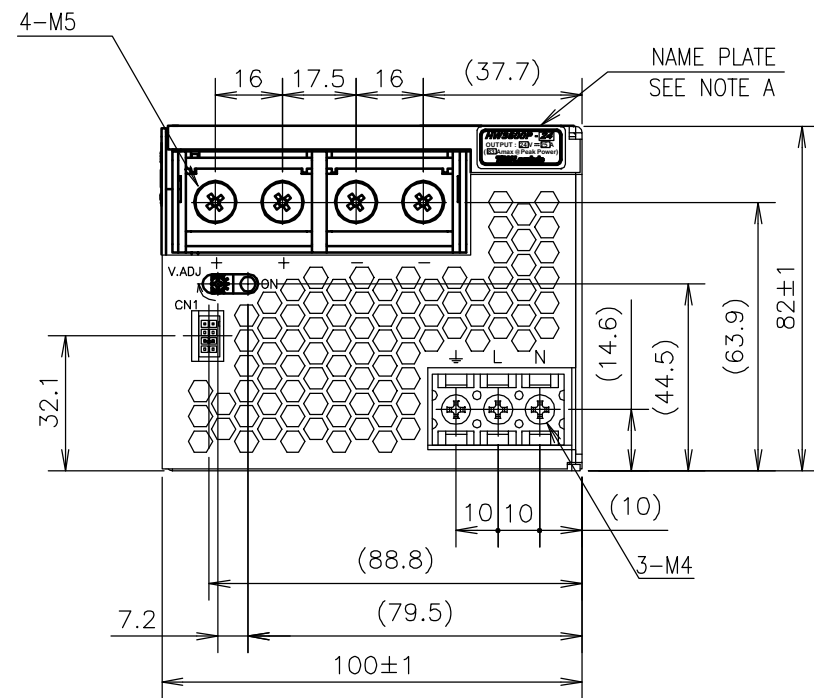
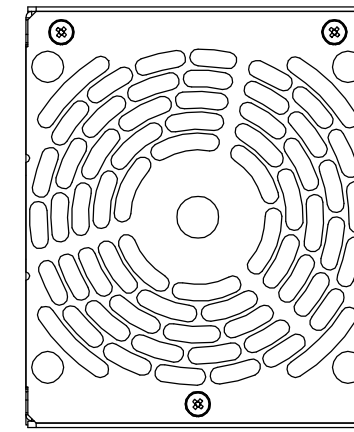


SIGNAL CONNECTOR INFORMATION



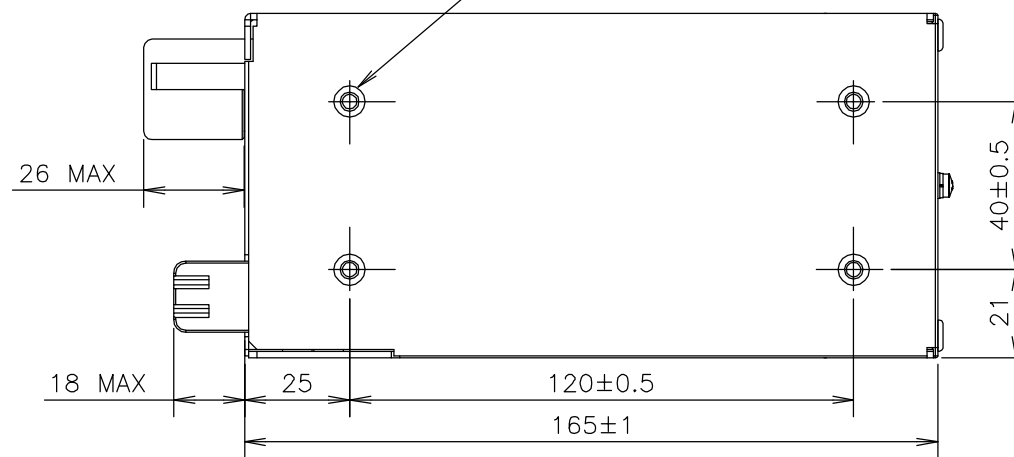
NAME PLATE  
SEE NOTE A



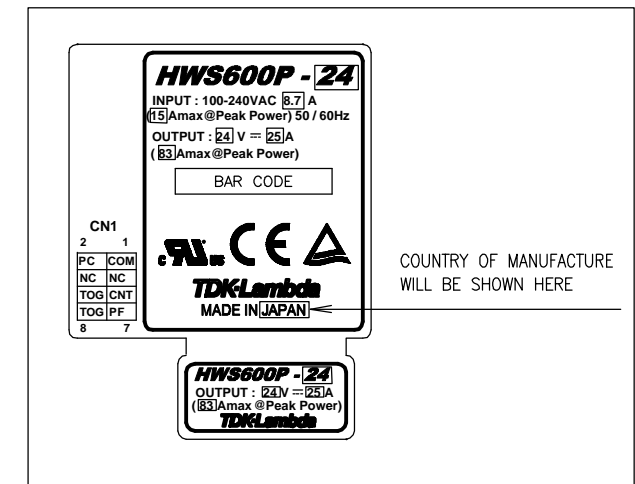
NAME PLATE  
SEE NOTE A

AIR FLOW →

SEE NOTE B



NAME PLATE DETAILS



== ACCESSORIES ==

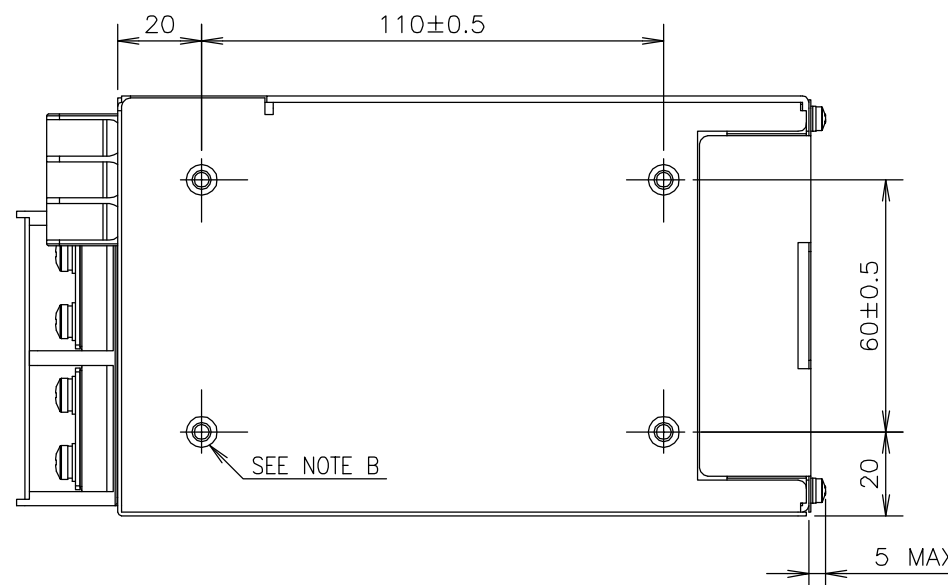
- \* COVER FOR BARRIER TERMINAL STRIP -----1  
(ATTACHED ON TERMINAL AT SHIPMENT)
- \* SHORT PIECE -----1  
SHORTING CNT — TOG  
(ATTACHED ON CN1 AT SHIPMENT)

== SIGNAL CONNECTOR USED ==

PART DESCRIPTION	PART NAME	MANUFACT
PIN HEADER	S8B-PHDSS	JST

== MATCHING HOUSINGS , PINS & TOOL ==

PART DESCRIPTION	PART NAME	MANUFACT
SOCKET HOUSING	PHDR-08VS	JST
TERMINAL PINS	SPHD-002T-P0.5(AWG28~24) SPHD-001T-P0.5(AWG26~22)	JST
HAND CRIMPING TOOL	YRS-620(SPHD-002T-P0.5) YC-610R(SPHD-001T-P0.5)	JST



SEE NOTE B

== NOTES ==

- A : MODEL NAME, NOMINAL OUTPUT VOLTAGE AND MAXIMUM OUTPUT CURRENT ARE SHOWN IN THE NAME PLATE IN ACCORDANCE WITH THE SPECIFICATIONS.
- B : M4 TAPPED HOLES (8) FOR CUSTOMER CHASSIS MOUNTING. (SCREW PENETRATION DEPTH 6m/m MAX.)

(unit : mm)

MODEL NAME	HWS600P
<b>DENSEI-LAMBDA</b>	

A238-02-01A