

NOTES

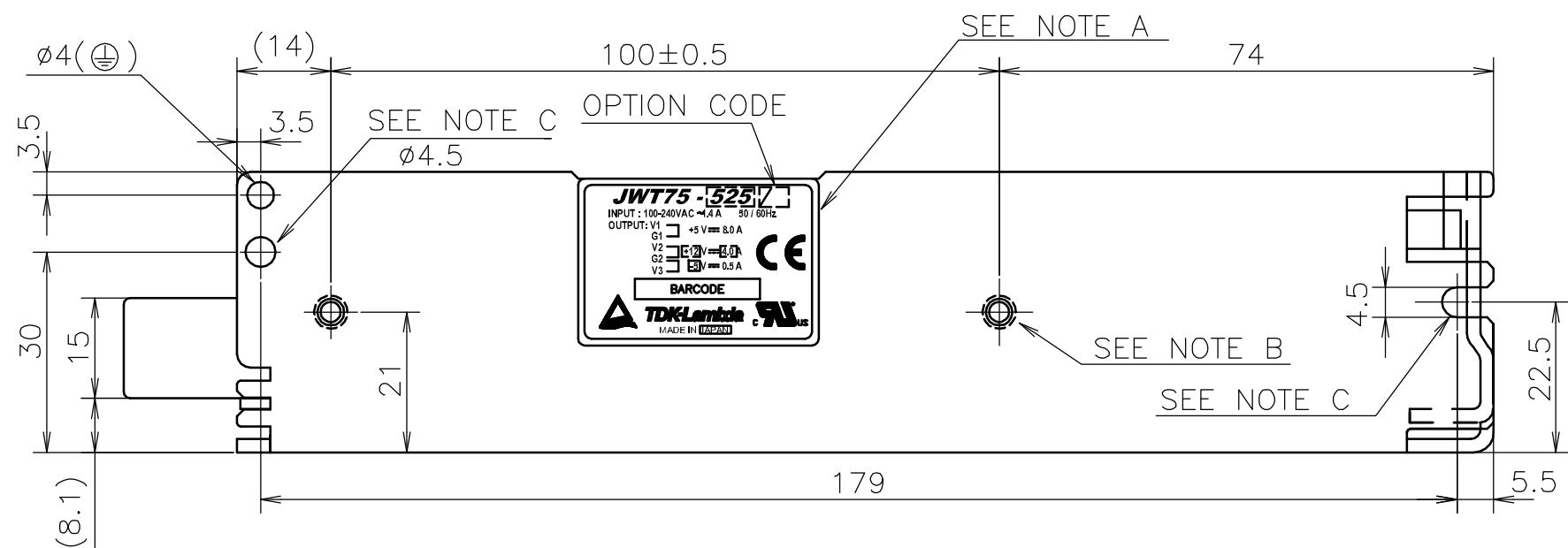
- A: MODEL NAME, OPTION, INPUT VOLTAGE RANGE, NOMINAL OUTPUT VOLTAGE, MAXIMUM OUTPUT CURRENT AND COUNTRY OF MANUFACTURE ARE SHOWN HERE IN ACCORDANCE WITH THE SPECIFICATIONS.
- B: M4 EMBOSSED, TAPPED AND COUNTERSUNK HOLES (4) FOR CUSTOMER CHASSIS MOUNTING. SCREWS MUST NOT PROTRUDE INTO POWER SUPPLY BY MORE THAN 6m/m.
- C: $\phi 4.5$ HOLE FOR CUSTOMER CHASSIS MOUNTING. (USE M4 MOUNTING SCREW.)
- D: REMOTE ON/OFF CONTROL CONNECTOR --- OPTION B2B-XH-AM (JST)

ACCESSORIES

- * COVER FOR BARRIER STRIP TERMINAL
- * HOUSING: XHP-2 (JST), TERMINAL: BXH-001T-P0.6 (JST) OR SXH-001T-P0.6 (JST) --- OPTION
HAND CRIMPING TOOL : YC-110 (JST) OR YRS-110 (JST)

OPTIONAL MODELS

MODEL	COVER	REMOTE ON/OFF CONTROL
JWT75-*		
JWT75-*/A	○	
JWT75-*/R		○
JWT75-*/RA	○	○



(unit : mm)

MODEL NAME	JWT75
TDK-Lambda	

A178-02-01F