

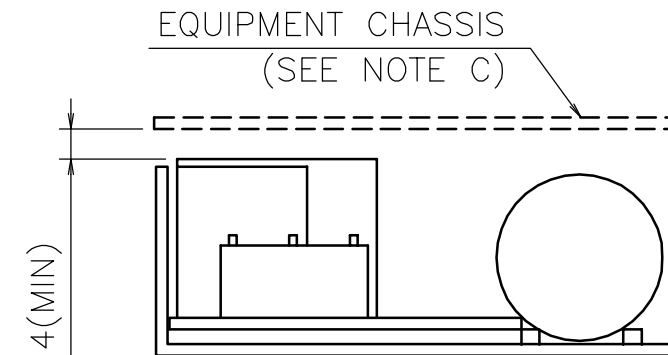
CONNECTORS USED:

PART DESCRIPTION	PART NAME	MANUFACTURER	QTY
PIN HEADER (INPUT SIDE CN1)	B3P5-VH	JST	1
PIN HEADER (OUTPUT SIDE CN2)	B7P-VH	JST	1

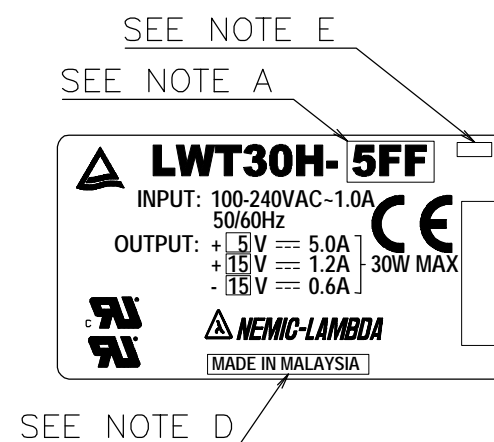
ACCESSORIES:

SOCKET HOUSING (CN1)	VHR-5N	JST	1
SOCKET HOUSING (CN2)	VHR-7N	JST	1
TERMINAL PINS (CN1,2)	SVH-21T-P1.1	JST	10

HAND CRIMPING TOOL : YC-16 MANUFACTURER : JST



NAME PLATE (SCALE:1.5/1)



NOTE

- A: MODEL NAME, OUTPUT VOLTAGE AND CURRENT WILL BE SHOWN HERE ACCORDING TO SPECIFICATIONS.
- B: MOUNTING HOLES (2X2 PLACES) FOR M3 SCREWS. SHOULD NOT ENTER THE POWER SUPPLY SURFACE BY MORE THAN 4mm RECOMMENDED TORQUE IS 1.47N·m.
- C: UNIT MUST BE INSTALLED WITH EQUIPMENT CHASSIS AT LEAST 4mm FROM MAXIMUM HEIGHT (27mm) OF THE UNIT. OTHERWISE BASIC INSULATION MATERIAL IS REQUIRED.
- D: COUNTRY OF MANUFACTURE WILL BE SHOWN HERE.
- E: NAME PLATE MAKER'S IDENTIFICATION MARK.

(unit : mm)

MODEL NAME	LWT30H
DENSEI-LAMBDA	