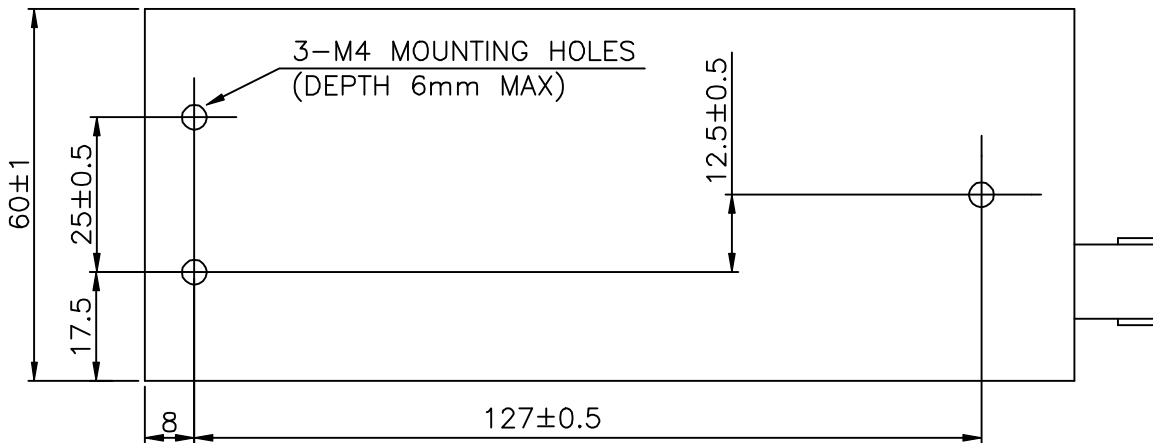
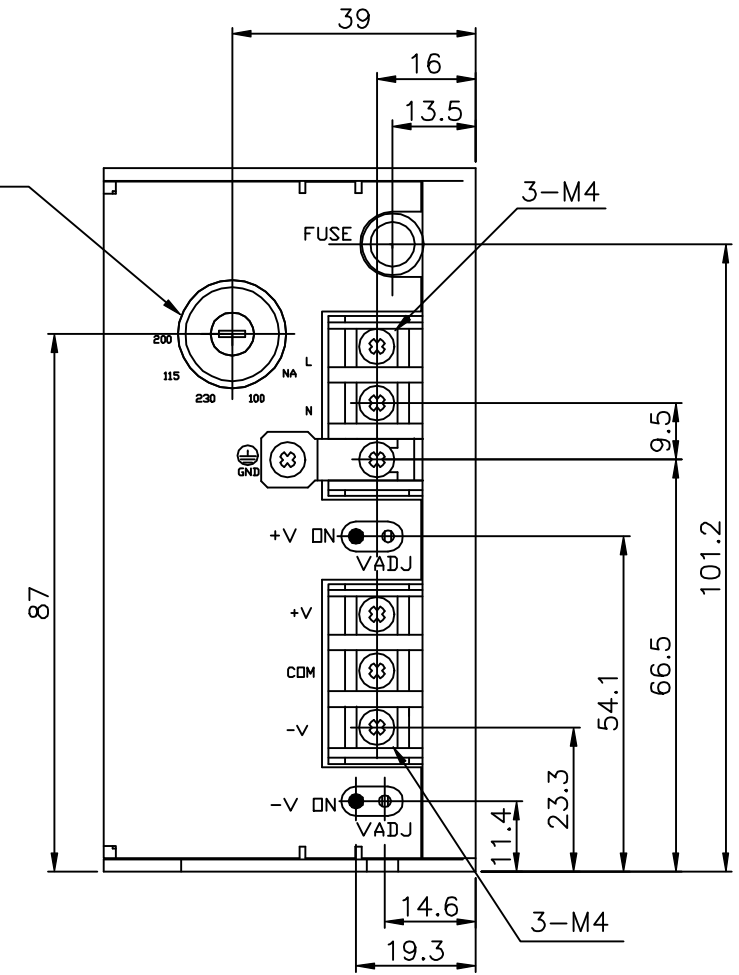


INPUT VOLTAGE  
SELECTOR



===ACCESSORIES===

\*COVER FOR BARRIER TERMINAL STRIP --- 1

(unit : mm)

MODEL	NND15
<b>NEMIC-LAMBDA</b>	
IA502-02-01B	