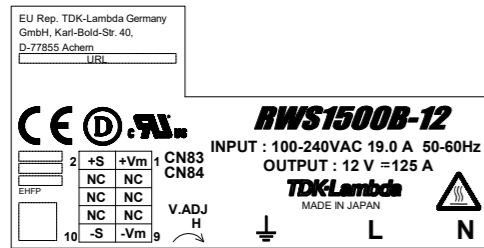


== NOTES ==

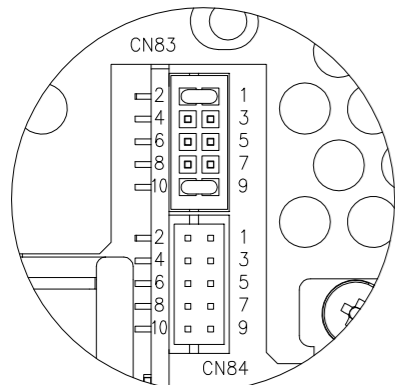
A : MODEL NAME, INPUT VOLTAGE RANGE, NOMINAL OUTPUT VOLTAGE, MAXIMUM OUTPUT CURRENT AND COUNTRY OF MANUFACTURE ARE SHOWN HERE IN ACCORDANCE WITH THE SPECIFICATIONS.

NAME PLATE DETAILS

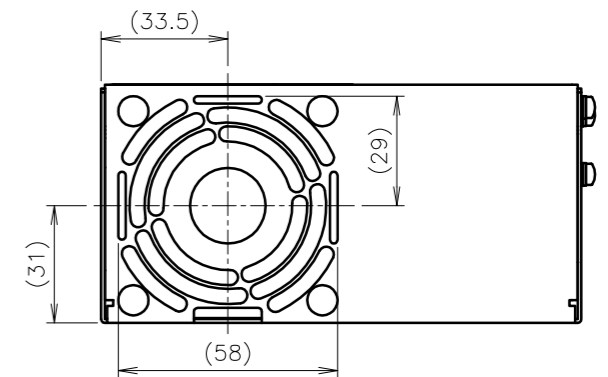
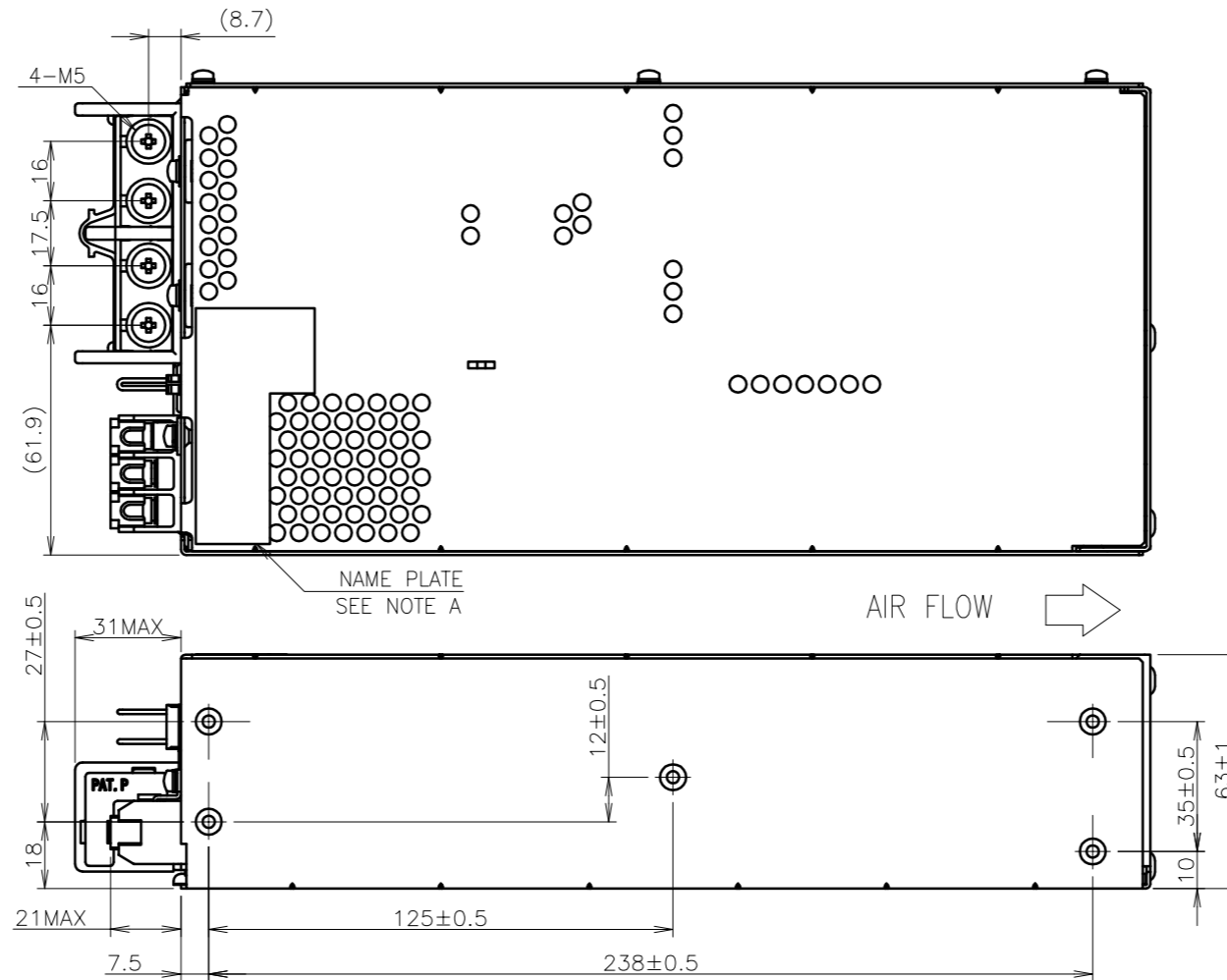


B : 9-M4 BR & COUNTERSINK ARE FOR CUSTOMER'S CHASSIS MOUNTING. (SCREW PENETRATION DEPTH 5mm MAX.)

C: SIGNAL CONNECTOR INFORMATION
PIN CONFIGURATION AND FUNCTION OF CN83, CN84



PIN No.	CONFIGURATION	FUNCTION
1	+Vm	OUTPUT MONITOR TERMINAL (+V)
2	+S	REMOTE SENSING TERMINAL FOR +OUTPUT
3	NC	Do not connect. If connected may cause malfunction.
4	NC	Do not connect. If connected may cause malfunction.
5	NC	-
6	NC	-
7	NC	Do not connect. If connected may cause malfunction.
8	NC	-
9	-Vm	GND FOR OUTPUT MONITOR TERMINAL (-V)
10	-S	REMOTE SENSING TERMINAL FOR -OUTPUT



== SIGNAL CONNECTOR USED ==

PART DESCRIPTION	PART NAME	MANUFACT
PIN HEADER	S10B-PHDS	JST

== MATCHING HOUSINGS, PIN & TOOL ==

PART DESCRIPTION	PART NAME	MANUFACT
SOCKET HOUSING	PHDR-10VS	JST
TERMINAL PINS	SPHD-002T-P0.5(AWG28~24) SPHD-001T-P0.5(AWG26~22)	JST
HAND CRIMPING TOOL	YRS-620(SPHD-002T-P0.5) YC-610R(SPHD-001T-P0.5)	JST

== ACCESSORIES ==

- * TERMINAL COVER 1 -----1
(ATTACHED ON TERMINAL AT SHIPMENT)
- * TERMINAL COVER 2 -----1
(ATTACHED ON TERMINAL AT SHIPMENT)
- * SHORT PIECE -----1
SHORTING +Vm --- +S, -Vm --- -S
(ATTACHED ON CN83 AT SHIPMENT)

(unit : mm)

MODEL NAME	RWS1500B
TDK-Lambda	
A274-02-01B	