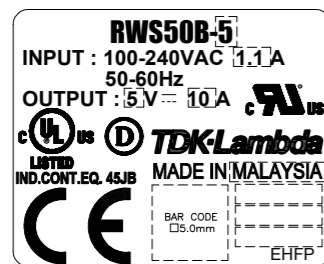


NOTES

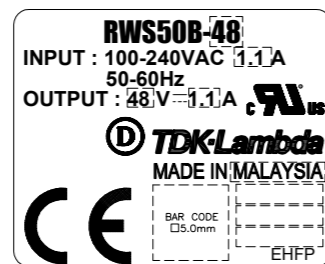
A: MODEL NAME, INPUT VOLTAGE RANGE, NOMINAL OUTPUT VOLTAGE, MAXIMUM OUTPUT CURRENT AND COUNTRY OF MANUFACTURE ARE SHOWN HERE IN ACCORDANCE WITH THE SPECIFICATIONS.

NAME PLATE DETAILS

RWS50B-5,12,24

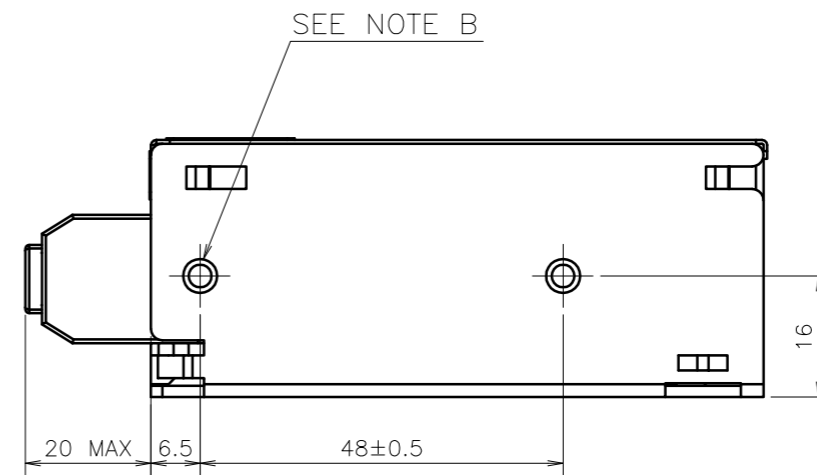


RWS50B-48



SCALE FOR NAME PLATE : 2/1

B: 4-M3 BR & COUNTERSINK ARE FOR CUSTOMER'S CHASSIS MOUNTING. (SCREW PENETRATION DEPTH 6mm MAX.)



(unit : mm)

MODEL NAME	RWS50B
TDK-Lambda	
CA806-02-01B	