

ANALOG CONTROL & MONITOR CONNECTOR
IPL1-106-01-S-D-RA-K (SAMTEC)
(SEE NOTE 7) (J1)

REAR VIEW

SENSE PLUG
IA710-81-06_ (J2)

SIGNALS CONNECTOR
IPL1-104-01-S-D-RA-K(SAMTEC)
(SEE NOTE 8) (J3)

RS232/RS485 COMMUNICATION CONNECTORS. (SEE NOTE 2)

USB CONNECTOR TYPE B

IEC320-C16 AC INLET

GROUND SCREW SEMS M4

IEEE OR ISOLATED ANALOG OPTION

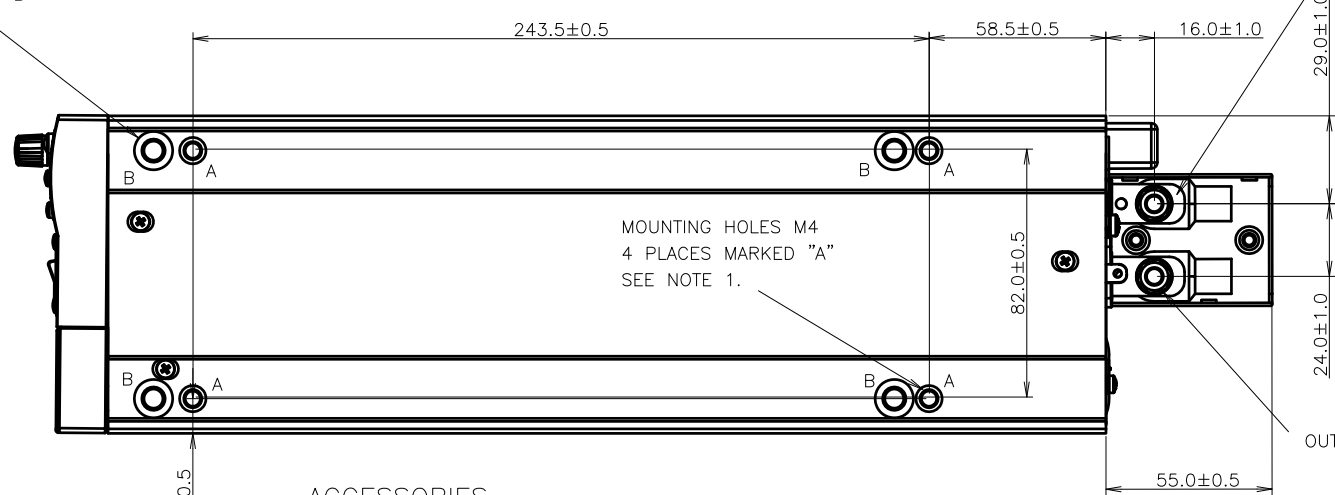
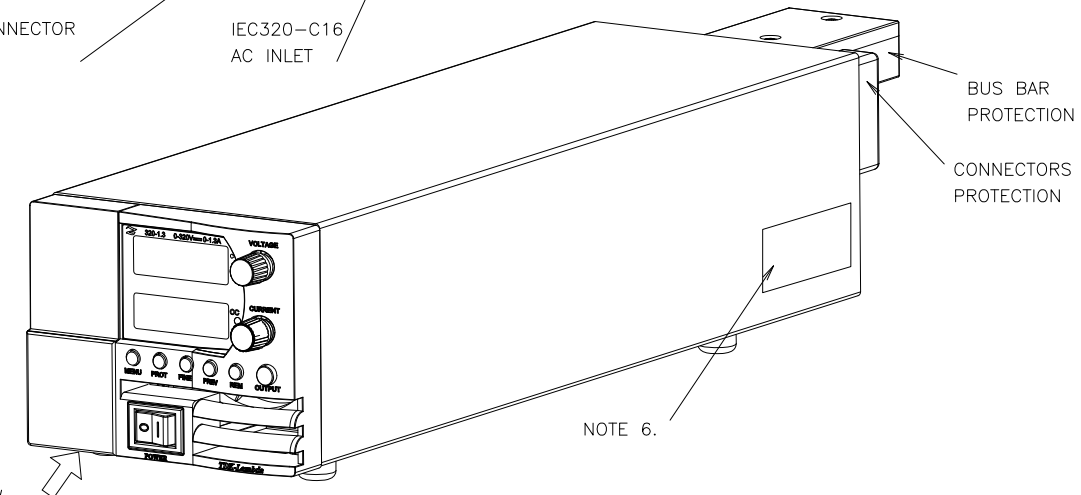
NOTE 5.

RUBBER LEGS 4 PLACES MARKED "B" (REMOVABLE)

MOUNTING HOLES M4 4 PLACES MARKED "A" SEE NOTE 1.

OUTPUT BUSBAR (+)

OUTPUT BUSBAR (-)



ACCESSORIES

ITEM	PART NUMBER	QTY	PACKING	OUTER PACKING	NOTE
PAN HEAD SCREW M6x16	DIN7985A St.St.	2	PLASTIC BAG		
HEXAGONAL NUT M6	DIN439B St.St.	2			
SPRING WASHER M6	DIN7980 St.St.	2			
FLAT WASHER M6	DIN125A St.St.	4			
BUS BAR PROTECTION	IA702-33-16_	1	PLASTIC BAG	PLASTIC BAG	
BUS BAR PROTECTION	IA702-33-17_	1			
PT SCREW KA40x8	STAINLESS STEEL	2			
CONNECTORS PROTECTION	IA702-33-04_	1			
CABLE HOUSING SAMTEC	IPD1-06-D-K	1		PLASTIC BAG	
CONTACT PINS SAMTEC	CC79R-2024-01-L	12	PLASTIC BAG		
CABLE HOUSING SAMTEC	IPD1-02-D-K	1		PLASTIC BAG	
CONTACT PINS SAMTEC	CC79R-2024-01-L	6	PLASTIC BAG		
CABLE HOUSING SAMTEC	IPD1-04-D-K	1		PLASTIC BAG	
CONTACT PINS SAMTEC	CC79R-2024-01-L	8	PLASTIC BAG		
LINKING CABLE	IA575-81-11_	1	PLASTIC BAG		

- NOTE
1. MOUNTING SCREWS MUST NOT PROTRUDE INTO THE POWER SUPPLY MORE THAN 6.0 mm. TIGHTENING TORQUE MUST BE MAX. 0.58 Nm
 2. RS232/RS485 COMMUNICATION RJ-45, SHIELDED, 8 CONTACTS CONNECTORS.
 3. MODEL NAME AND OUTPUT RATING SHOWN HERE ACCORDING TO THE SPECIFICATION.
 4. M6 OR 1/4 " SCREWS FOR LOAD WIRES CONNECTION.
 5. INPUT VOLTAGE AND CURRENT RATING ARE SHOWN HERE ACCORDING TO THE SPECIFICATION.
 6. AC INPUT RATING, SAFETY APPROVAL AND EU LABEL.

7. RECEPTACLE SAMTEC P/N IPD1-06-D-K CONTACT PIN SAMTEC CC79R-2024-01-L HAND TOOL: CAT-HT-179-2024-11 WIRE AWG 20-24.
8. RECEPTACLE SAMTEC P/N IPD1-04-D-K CONTACT PIN SAMTEC CC79R-2024-01-L HAND TOOL: CAT-HT-179-2024-11 WIRE AWG 20-24.

(unit : mm)

MODEL NAME	Z+IEEE&ISO.ANALOG
TDK-Lambda	
IA702-02-02H	