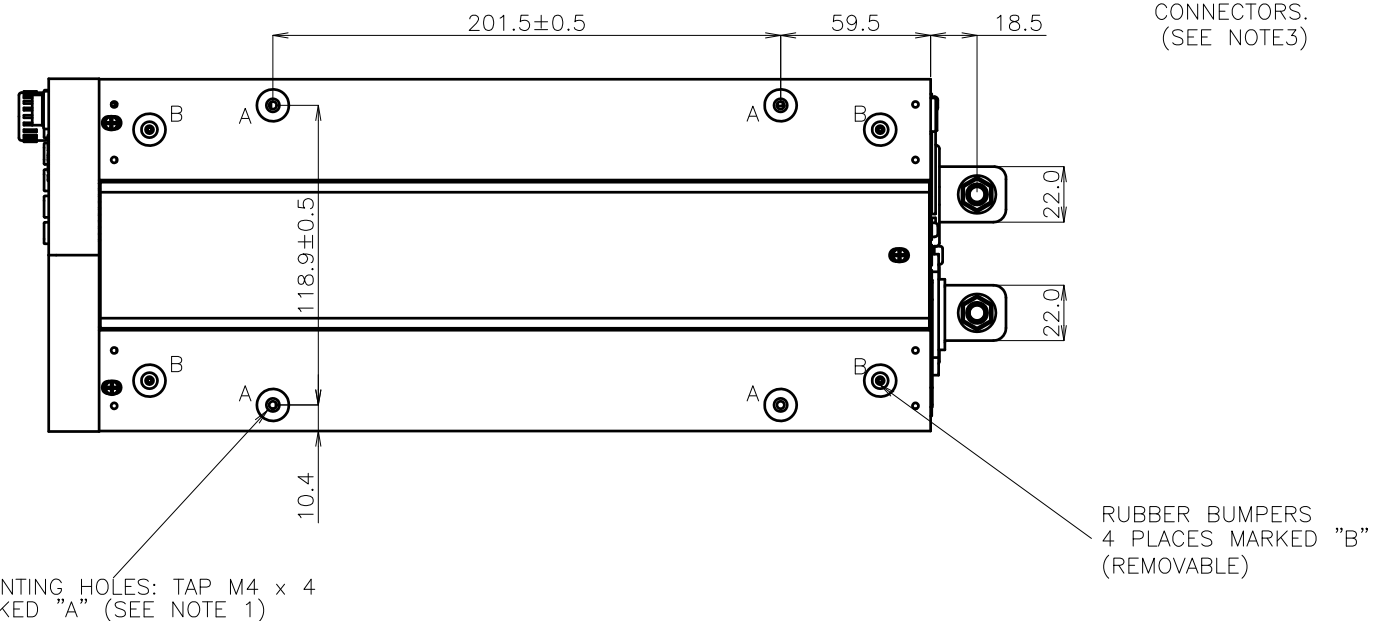
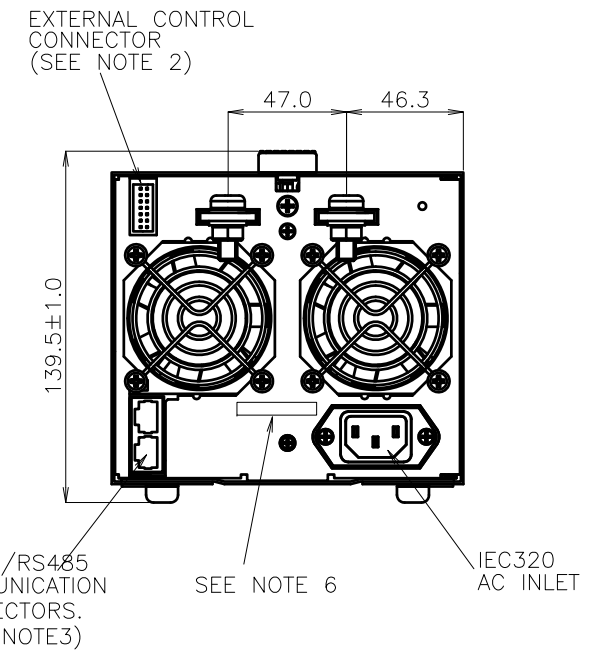
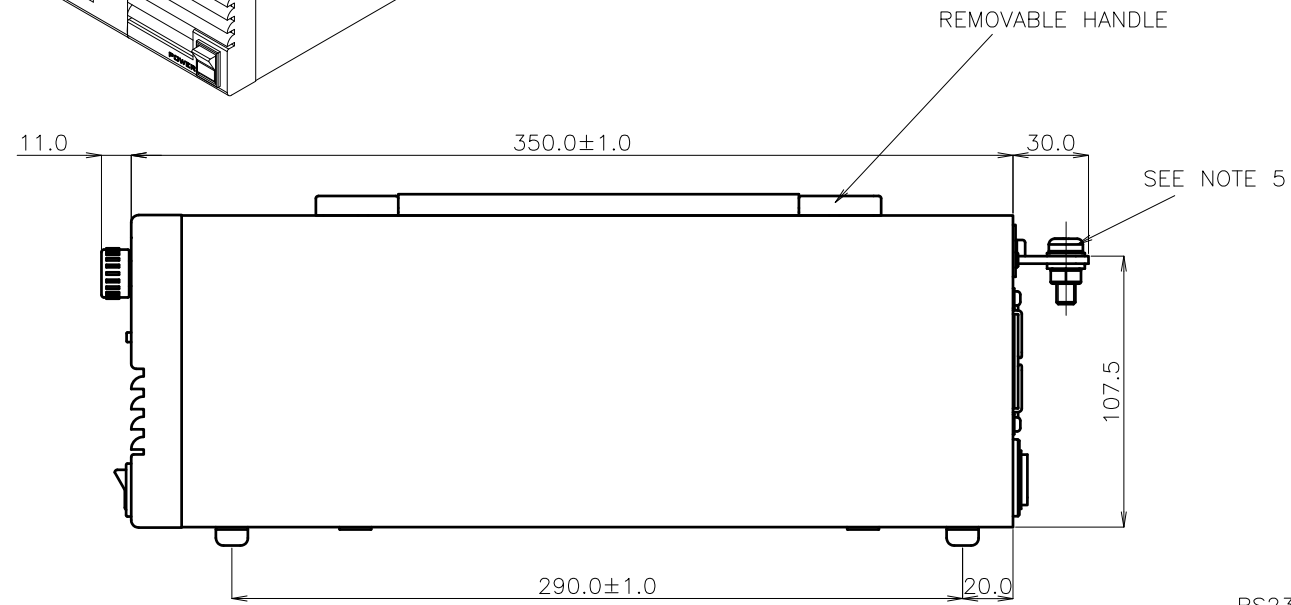
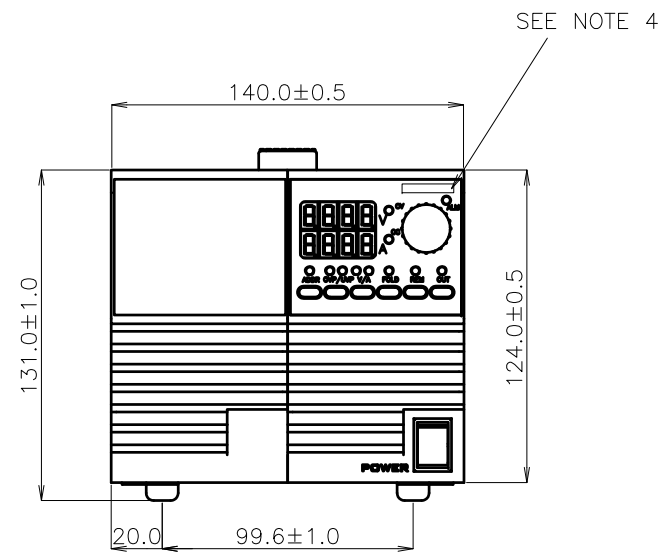
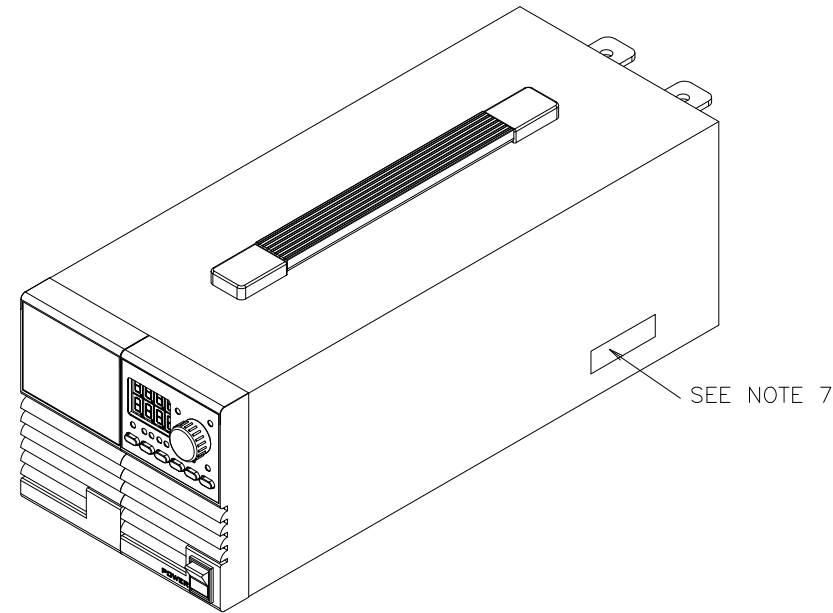


TOLERANCES/±	
1-16mm	0.1
16.1-63mm	0.2
63.1-250mm	0.3
250.1-1000m	0.5
ANGLE	0.3°



NOTE

1. MOUNTING SCREWS MUST NOT PROTRUDE INTO THE POWER SUPPLY MORE THAN 6mm.
2. EXTERNAL CONTROL CONNECTOR;
CONNECTOR: AMP, P/N 102617-5
RECEPTACLE: AMP, P/N 87631-9
RECEPTACLE CONTACTS: AMP, P/N 87523-5(STRIIP FORM)
P/N 87523-6(LOOSE PIECE)
WIRE AWG: 24 TO 20
HAND TOOL FOR WIRES CONNECTION: AMP, P/N 90202-2
3. RS232/RS485 COMMUNICATION
TIA/EIA-568A, SHIELDED, 8 CONTACTS CONNECTORS.
4. MODEL NAME AND OUTPUT RATING SHOWN HERE ACCORDING TO THE SPECIFICATION.
5. M8 OR 5/16" SCREW FOR LOAD WIRES CONNECTION.
6. INPUT VOLTAGE AND CURRENT RATING ARE SHOWN HERE ACCORDING TO THE SPECIFICATIONS
7. SAFETY AND EU REPRESENTATIVE ADDRESS LABEL.

(unit : mm)

MODEL NAME	ZUP800
TDK-Lambda	
IA550-02-01B	