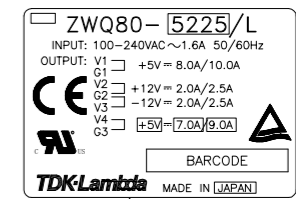
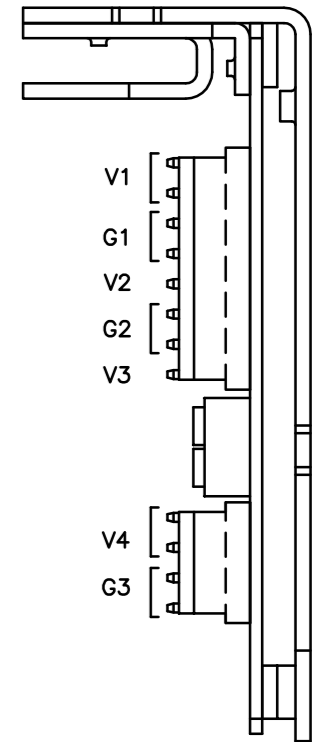
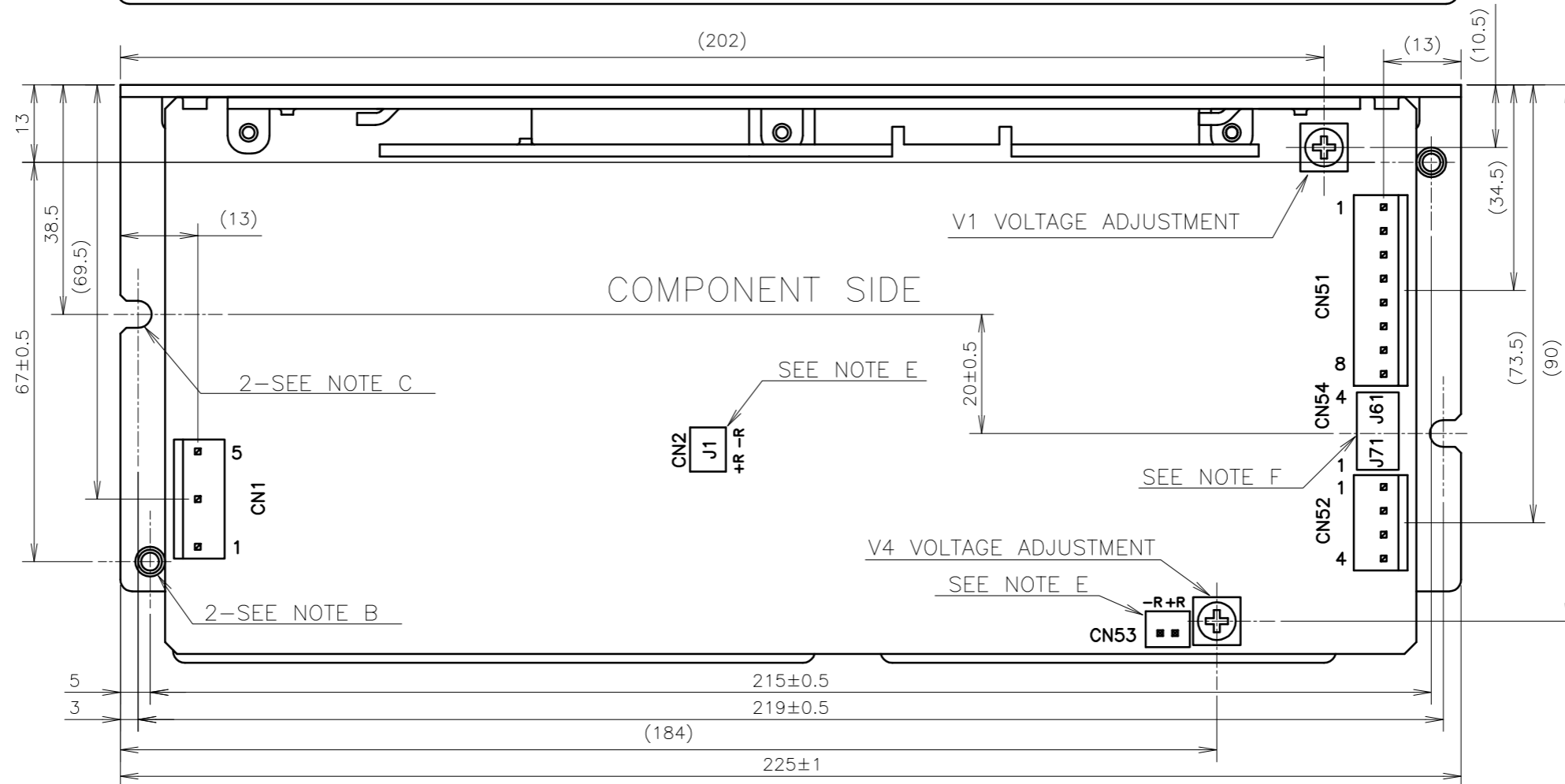
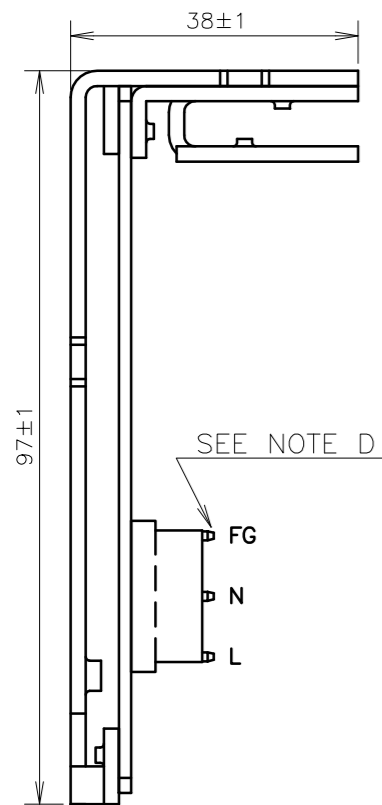


NAME PLATE



SEE NOTE A



= NOTES =

- A: MODEL NAME, INPUT VOLTAGE RANGE, NOMINAL OUTPUT VOLTAGE, MAXIMUM OUTPUT CURRENT AND COUNTRY OF MANUFACTURE ARE SHOWN HERE IN ACCORDANCE WITH THE SPECIFICATIONS.
- B: M4 EMBOSSED, TAPPED AND COUNTERSUNK HOLES (4) FOR CUSTOMER'S CHASSIS MOUNTING. SCREWS MUST NOT PROTRUDE INTO POWER SUPPLY BY MORE THAN 6mm.
- C: Ø4.5 HOLE FOR CUSTOMER'S CHASSIS MOUNTING. (USE M4 MOUNTING SCREW. TIGHTENING TORQUE IS 1.08N\*m(11kgf\*cm).)
- D: FG IS FOR SAFETY GROUND CONNECTION.
- E: REMOTE ON/OFF CONTROL CONNECTOR (CN2,53) : B2B-XH-AM (J.S.T.)  
 MATCHING HOUSING : XHP-2 (J.S.T.)  
 MATCHING TERMINAL : BXH-001T-P0.6 (J.S.T.)  
 OR SXH-001T-P0.6 (J.S.T.)  
 \*CN2 IS NORMALLY SHORTED BY JM-2W-96(J.S.T.).  
 \*HAND CRIMPING TOOL: YC-110R or YSR-110 (J.S.T.).

- F: CONNECTOR TO CHANGE V2,V3 OUTPUT VOLTAGE (CN54) : B4B-XH-AM (J.S.T.)  
 J61 SHORT : V2 OUTPUT VOLTAGE IS +12V.(\*)  
 J61 OPEN : V2 OUTPUT VOLTAGE IS +15V.  
 J71 SHORT : V3 OUTPUT VOLTAGE IS -12V.(\*)  
 J71 OPEN : V3 OUTPUT VOLTAGE IS -15V.  
 \*J61 AND J71 ARE NORMALLY SHORTED BY JM-2W-96(J.S.T.).

CONNECTORS USED:

PART DESCRIPTION	PART NAME	MANUFACT.	QTY
PIN HEADER (INPUT SIDE CN1)	B3P-5-VH	J.S.T.	1
PIN HEADER (OUTPUT SIDE CN51)	B8P-VH	J.S.T.	1
PIN HEADER (OUTPUT SIDE CN52)	B4P-VH	J.S.T.	1

\*OUTPUT CURRENT OF EACH CONNECTOR PIN MUST BE LESS THAN 5A.

MATCHING HOUSINGS & PINS (NOT INCLUDED WITH THE PRODUCT):

PART DESCRIPTION	PART NAME	MANUFACT.	QTY
SOCKET HOUSING (CN1)	VHR-5N	J.S.T.	1
SOCKET HOUSING (CN51)	VHR-8N	J.S.T.	1
SOCKET HOUSING (CN52)	VHR-4N	J.S.T.	1
TERMINAL PINS (CN1,51,52)	SVH-21T-P1.1	J.S.T.	15

HAND CRIMPING TOOL : YC-160R MANUFACT. : J.S.T.

(unit : mm)

MODEL NAME	ZWQ80/L
------------	---------

**TDK-Lambda**

A190-02-01/L-C