

ZWS-B Series

ZWS50B / 75B / 100B / 150B

Instruction Manual

BEFORE USING THE POWER SUPPLY UNIT

Be sure to read this instruction manual thoroughly before using this product. Pay attention to all cautions and warnings before using this product. Incorrect usage could lead to an electrical shock, damage to the unit or a fire hazard.

⚠ DANGER

Never use this product in locations where flammable gas or ignitable substances are present. There are risks of igniting these substances and exploding by an arcing.

⚠ WARNING

- Do not touch this product or its internal components while circuit is live, or shortly after shut down. There may be high voltage or high temperature present and you may receive an electric shock or burn.
- When this product is operating, keep your hands and face away from it as you may be injured by an unexpected situation.
- Do not make unauthorized changes to this product, otherwise you may receive an electric shock and void your warranty.
- Do not drop or insert anything into this product. It might cause a failure, fire and electric shock.
- Do not use this product under unusual condition such as emission of smoke or abnormal smell and sound etc. It might lead to fire and electric shock. In such cases, please contact us. Do not attempt repair by yourself, as it is dangerous for the user.
- Do not operate these products in the presence of condensation. It might lead fire or electric shock.

⚠ CAUTION

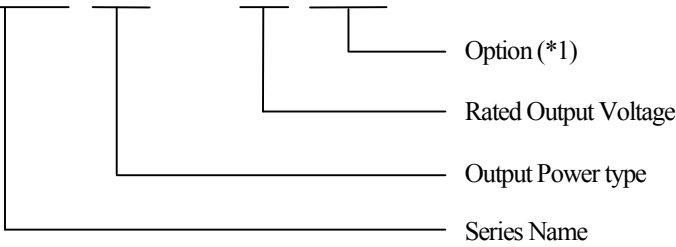
- This power supply is designed and manufactured for use within an end product such that it is accessible to SERVICE ENGINEERS only.
- Confirm connections to input/output terminals are correct as indicated in the instruction manual before switching on.
- Input voltage, Output current, Output power, ambient temperature and ambient humidity should be kept within specifications, otherwise the product will be damaged.
- Do not operate and store this product in an environment where condensation might occur. In such case, waterproof treatment is necessary.
- Do not use this product in environment with a strong electromagnetic field, corrosive gas or conductive substances.
- For applications, which require very high reliability (Nuclear related equipment, medical equipment, traffic control equipment, etc.), it is necessary to provide a fail-safe mechanism in the end equipment.
- Do not inject abnormal voltages into the output of this product. The injection of reverse voltage or over voltage exceeding nominal output voltage into the output terminal might cause damage to internal components.
- Never operate the product under over current or short-circuit conditions or outside its specified Input Voltage Range. Insulation failure, smoking, burning or other damage may occur.
- This product contains a printed circuit board utilizing surface mounted devices. PCB stress such as bending, twisting etc. could cause damage. Therefore, please handle with care.
- When handling this product, hold the board edge and take care not to touch the component side. When installing this product in apparatus or equipment, mount it on spacers.
- The outputs of this product may, under fault conditions, exceed SELV voltage limits. Therefore the outputs must be earthed in the end equipment to maintain SELV. If the outputs are not earthed, they must be considered hazardous and must not be made user accessible.
- This product has used Power Thermistor to protect the circuit from Inrush Current. Frequent repetition of input might cause damage to internal components because of generating surge current.
- Breaking of internal fuse is considered internal failure. In such cases, please contact us.
- The information in this document is subject to change without prior notice. Please refer to the latest version of the data sheet, etc., for the most up-to date specifications of the product.
- No part of this document may be copied or reproduced in any form without prior written consent of TDK-Lambda.

Note: CE MARKING

CE Marking, when applied to a product covered by this handbook, indicates compliance with the low voltage directive.

1. Model name identification method

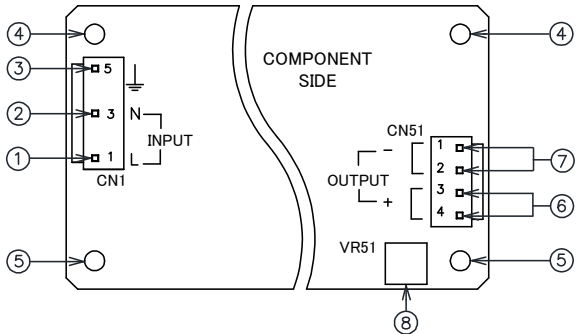
ZWS 50 B – 5 / □



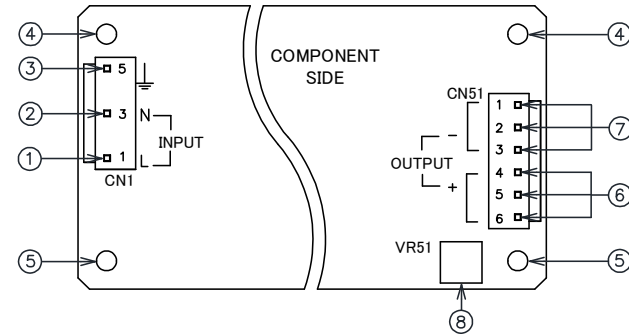
- (*1)
Blank : Standard type.
/L : With chassis model.
/A : With chassis and cover model.

2. Terminal Explanation

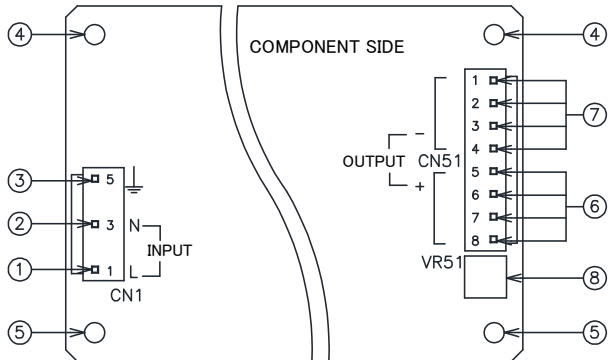
ZWS50B



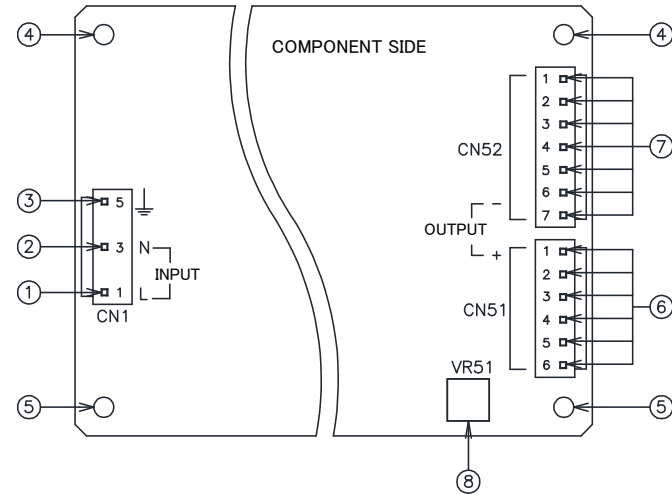
ZWS75B



ZWS100B



ZWS150B



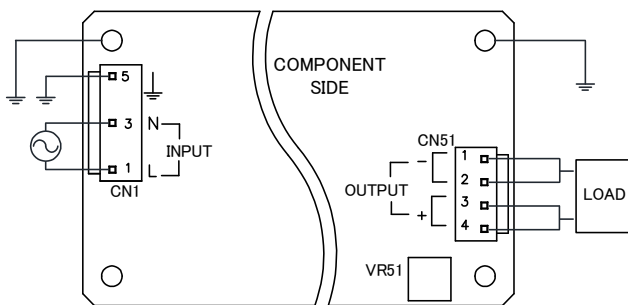
- ① L : AC Input terminal Live line (Fuse in line.)
- ② N : AC Input terminal Neutral line
- ③ ⚡ : Earth (⚡) Terminal
- ④ Mounting hole (hole diameter : φ 3.5mm)
These holes are connected to ⚡ terminal of CN1.
Must be connected to Chassis (Conductor) of the equipment by metal spacer.
The mounting surface of the spacer should be within Max φ 8mm.
- ⑤ Mounting hole (hole diameter : φ 3.5mm)
These holes are not connected to ⚡ terminal of CN1.
- ⑥ + : + Output Terminal
- ⑦ - : - Output Terminal
- ⑧ V.ADJ : Output voltage adjust trimmer. The output voltage rises when a trimmer is turned clockwise.

3. Terminal Connection Method

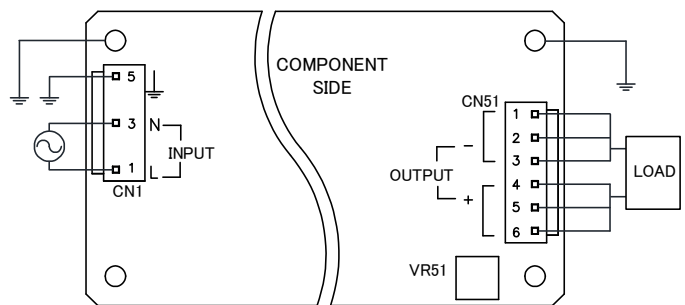
Pay attention to the input wiring. If it is connected to wrong terminal, the power supply will be damaged.

- Input must be off when making connections.
- Connect \perp terminal of input connector to protective earth terminal.
- Output current of each terminal pin must be less than 5A.
- The output load line and input line shall be separated to improve noise sensitivity.
- Do not apply stress to PCB and components, when connecting or removing connector.
- Use input/output connector (housing) specified by the table below.
- Use recommended crimping tool. Connector is not included with this product. (Refer to the following)

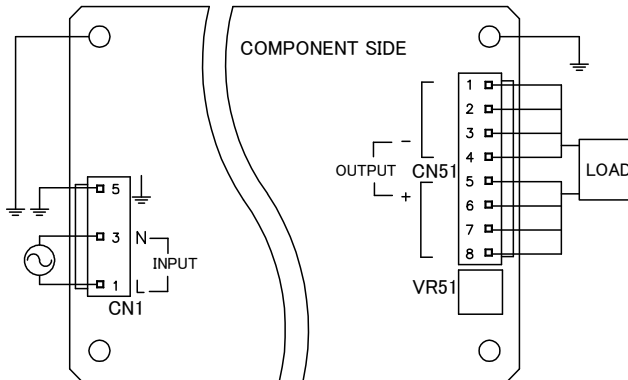
ZWS50B



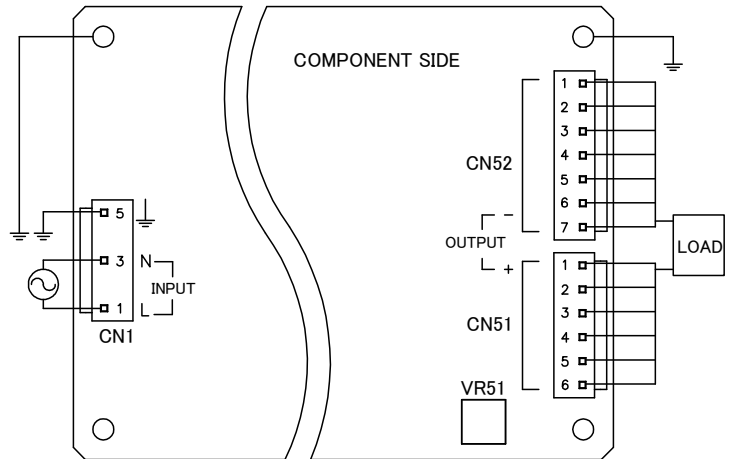
ZWS75B



ZWS100B



ZWS150B



Input/Output Connector

	Model	Connector	Housing	Terminal Pin	Maker
Input (CN1)	Common	B3P5-VH(LF)(SN)	VHR-5N	SVH-21T-P1.1 BVH-21T-P1.1	J.S.T.
Output (CN51)	ZWS50B	B4P-VH(LF)(SN)	VHR-4N		
	ZWS75B	B6P-VH(LF)(SN)	VHR-6N		
	ZWS100B	B8P-VH(LF)(SN)	VHR-8N		
	ZWS150B	B6P-VH(LF)(SN)	VHR-6N		
Output (CN52)	ZWS150B	B7P-VH(LF)(SN)	VHR-7N		

Hand Crimping Tool : YC-160R (J.S.T.)

4. Explanation of Function and Precautions

4-1. Input Voltage Range

ZWS50B, ZWS75B

Input voltage range is single phase 85-265VAC(47-63Hz) or 120-370VDC. If you use the DC input, you must input '+' into L phase. Input voltage, which is out of specification, might lead unit damage. For cases where conformance to various safeties required, input voltage range will be 100-240VAC (50-60Hz).

ZWS100B, ZWS150B

Input voltage range is single phase 85-132VAC or 170-265VAC (47-63Hz). Input circuit is automatically selected by input voltage. For cases where conformance to various safeties required, input voltage range will be 100-120VAC/200-240VAC (50-60Hz). Do not switch input voltage from 85-132VAC directly to 170-265VAC, as might cause power supply damage. Input voltage, which is out of specification, might lead unit damage. Do not use by DC input.

4-2. Output Voltage Range

Output voltage is set the rated value at shipment. V.ADJ trimmer (VR51) can adjust the output voltage within the range. Output voltage range is within $\pm 10\%$ (only 48V of ZWS50B, ZWS75B : +10%, -18%) of nominal output voltage. To turn the trimmer clockwise, the output voltage will be increased. Take note when the output voltage is increased excessively, over voltage protection (OVP) function may trigger and voltage will be shut down. Furthermore, when increasing the output voltage reduce the output current so as not to exceed the maximum output power.

4-3. Inrush Current

This series equipped Power thermistor to limit the inrush Current. This series are Power thermistor method so that higher current will flow at higher ambient temperature or re-input condition. Please select input switch and fuse carefully with the high temperature and re-input the power condition. The Inrush Current value is under cold start at 25°C in the specification.

4-4. Over Voltage Protection (OVP)

The OVP function (Inverter shut down method, manual reset type) is provided. OVP function operates within 3.3V: 115% - 150%, 5V: 115% - 140%, 12V - 48V: 115% - 135% of nominal output voltage. When OVP triggers, the output will be shut down. To reset OVP, remove the input of power supply for a few minutes, and then re-input. In addition, the setting value of OVP is fixed and not adjustable. Pay attention not to apply higher voltage externally to the output terminal to avoid unit failure. In case of inductive load, put protective diode in series to the output power line.

4-5. Over Current Protection (OCP)

ZWS50B, ZWS75B: Fold back limit and Hiccup mode with automatic recovery.

ZWS100B, ZWS150B: 3.3V, 5V constant current limit and Hiccup mode near shorted conditions with automatic recovery.

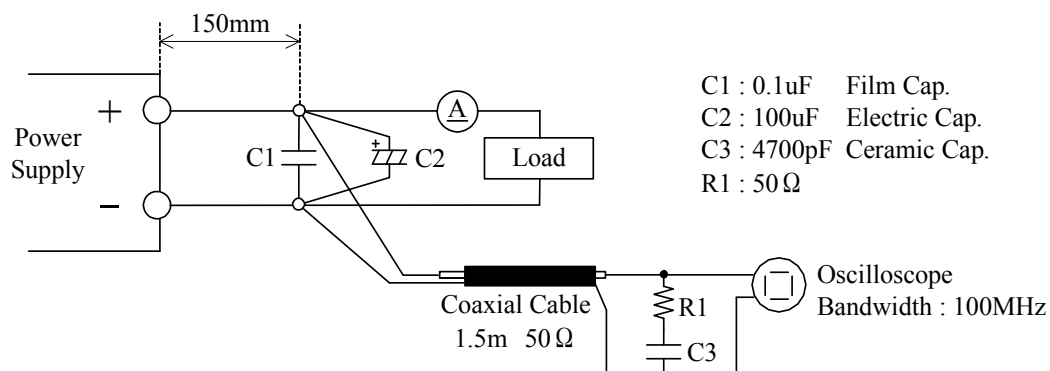
ZWS100B, ZWS150B: 12V - 48V constant current limit with automatic recovery.

OCP function operates when the output current exceeds 105% of maximum DC output current of specification. The outputs will be automatically recovered when the overload condition is canceled. Never operate the unit under over current or shorted conditions, which may leads damage or insulation failure. OCP setting is fixed and not to be adjusted externally.

4-6. Output Ripple & Noise

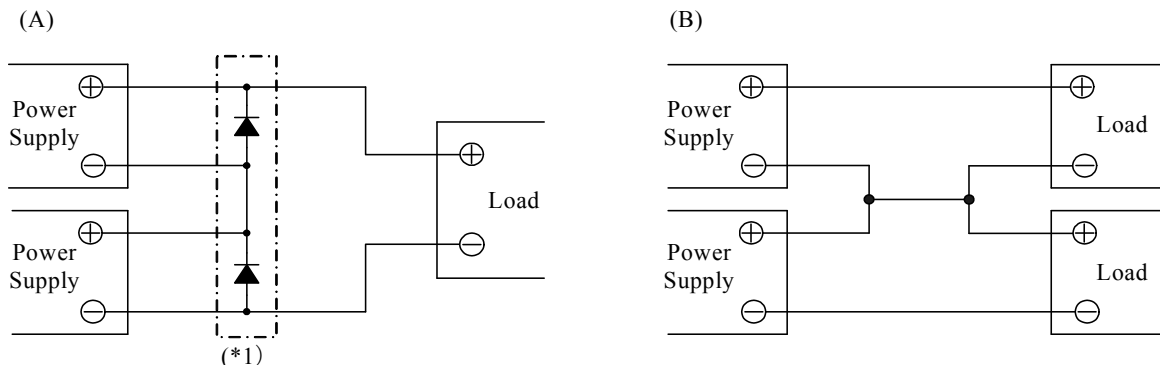
The standard specification for maximum ripple value is measured according to measurement circuit specified by JEITA-RC9131B. When load lines are longer, ripple will becomes larger. In this case, electrolytic capacitor, film capacitor, etc. might be necessary to use across the load terminal. The output ripple cannot be measure accurately if the probe ground lead of oscilloscope is too long. For start up at low ambient temperature and low input voltage, output ripple noise might not meet specification. However, there is no overshoot at start up and output ripple noise specification can be met after one second.

For start up at low ambient temperature and low input voltage, output ripple noise of ZWS50B, ZWS75B might not meet specification. However, there is no overshoot at start up and output ripple noise specification can be met after one second.



4-7. Series Operation

For series operation, either method (A) or (B) is possible.



(*1) In case of (A), please connect bypass diodes to prevent reverse voltage. Please select a bypass diode with maximum forward current rating more than output load current. And maximum reverse voltage must withstand each power supply output voltage.

*Series operation for ZWS100B, ZWS150B possible without bypass diode.

Never use when one of the unit not operate, which may leads damage.

4-8. Parallel Operation

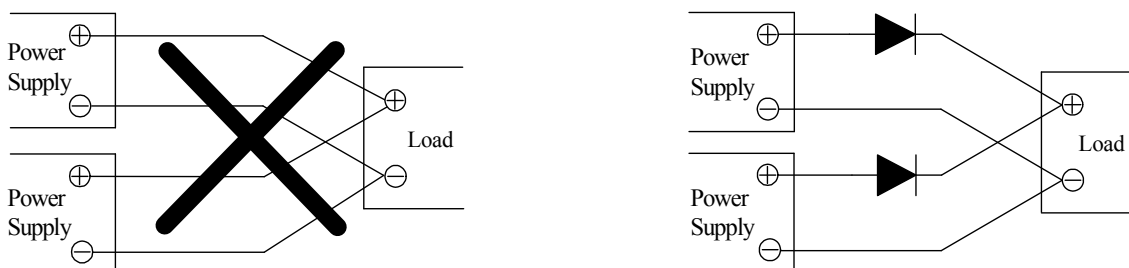
For parallel operation, method (B) is possible.

(A) To increase the output current is not possible.

(B) To use as Back-up Power Supply

1. Adjust the output voltage of each power supply to be the same.
2. Set power supply output voltage higher by the forward voltage drop (V_f) of diode.

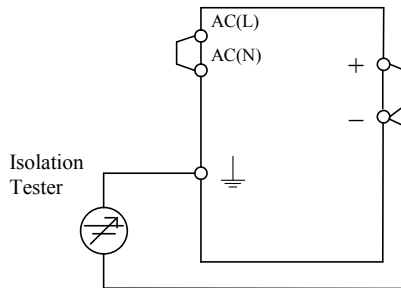
Use within the specification for output voltage and output power.



4-9. Isolation Test

Isolation resistance between Output - \perp is more than 100M Ω at 500VDC. For safety operation, voltage setting of DC isolation tester must be done before the test. Ensure that the unit is fully discharged after the test.

Output - \perp : 500VDC More than 100M Ω



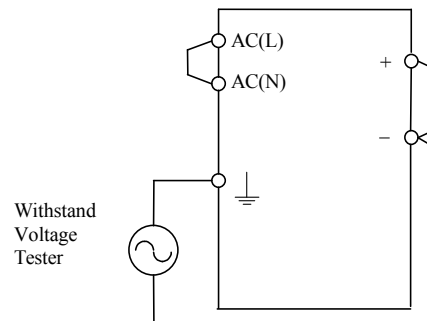
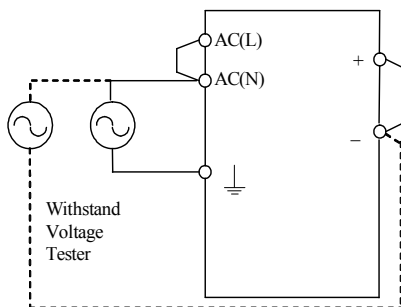
4-10. Withstand Voltage

This series is designed to withstand 3.0kVAC between input and output, 2.0kVAC between input and \perp and 500VAC between output and \perp each for 1 minute. When testing withstand voltage, set current limit of the withstand voltage test equipment to 10mA (output - \perp : 20mA). The applied voltage must be gradually increased from zero to the testing value and then gradually decreased for shut down. When timer is used, the power supply may be damaged by high impulse voltage at timer switch on and off. Connect input and output as follows.

Input - Output(Dashed line) : 3.0kVAC 1min(10mA)

Input - \perp (Solid line) : 2.0kVAC 1min(10mA)

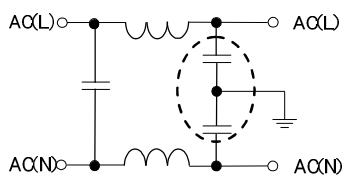
Output - \perp : 500VAC 1min(20mA)



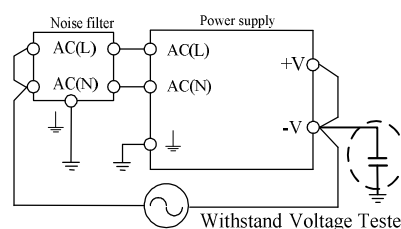
Note 1 : This product have monolithic ceramic capacitor in secondary circuit to \perp .

Some of the withstand voltage tester may generate high voltage at the matching with monolithic ceramic capacitor and may cause the unit damage. So, please check the waveform of applied voltage.

Note 2 : In case of using external noise filter, capacitance between “Input and \perp ” might be increased. When testing withstand voltage between “Input and Output”, there is a possibility exceeding withstand voltage between “Output and \perp ” (500VAC). Please check the voltage between “Output and \perp ”. If the voltage exceeding withstand voltage, please add external capacitor to “Output and \perp ”. It can decrease the voltage. On the other hand, no need to check the voltage in case of “Output and \perp ” is shorted.



The example of noise filter circuit that may increasing capacitance value between “Input and \perp ”
 (Capacitance value in dashed line is added.)

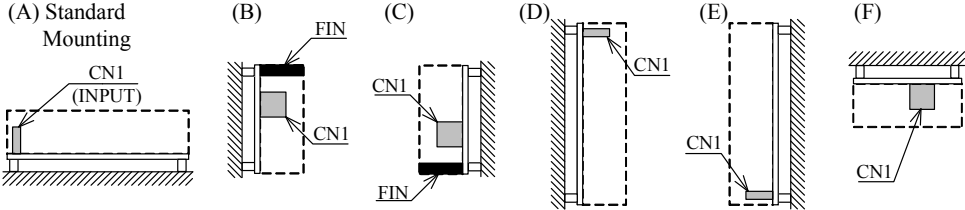


External capacitor adding point or short point.
 Even in the case of “+V and \perp ”, There is a similar effect.

5. Mounting Directions

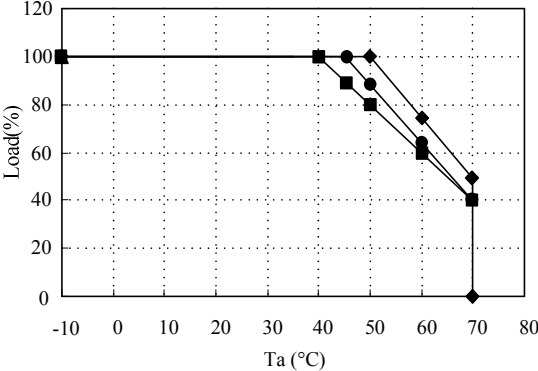
5-1. Output Derating according to the Mounting Directions.

Recommended standard mounting method is (A). Method (B)-(F) are also possible. Refer to the output derating below. Load(%) such as below derating curve indicates output power.



5-2. Output Derating
CONVECTION COOLING

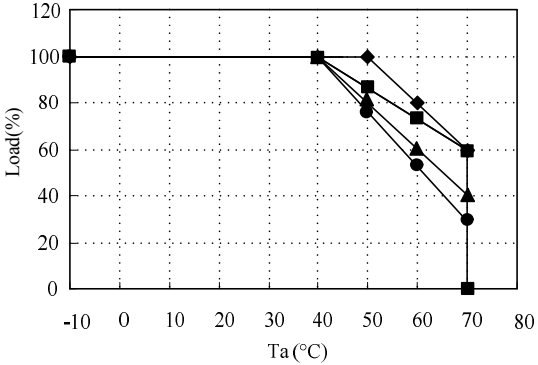
ZWS50B



- ◆ Mounting (A),(B),(C),(E)
- Mounting (D)
- Mounting (F)

Ta (°C)	Load (%)		
	Mounting(A),(B),(C),(E)	Mounting (D)	Mounting(F)
-10 - +40	100		
+45	100		90
+50	100	88	80
+60	75	64	60
+70	50	40	40

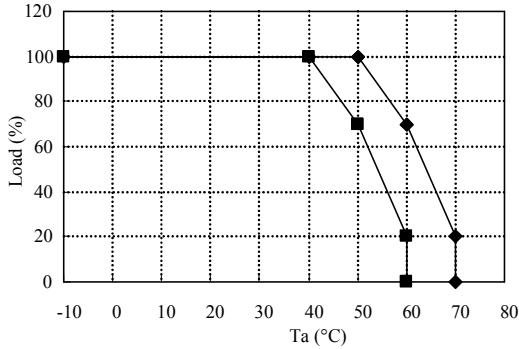
ZWS75B



- ◆ Mounting (A),(B),(C)
- Mounting (D)
- Mounting (E)
- ▲ Mounting (F)

Ta (°C)	Load (%)			
	Mounting(A),(B),(C)	Mounting(D)	Mounting(E)	Mounting(F)
-10 - +40	100			
+50	100	76	86	80
+60	80	53	73	60
+70	60	30	60	40

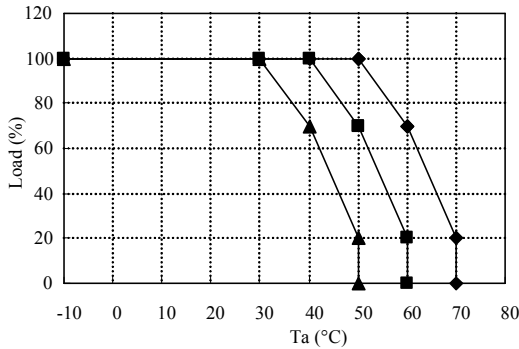
ZWS100B



◆ Mounting (A),(B),(C),(E)
 ■ Mounting (D),(F)

Ta (°C)	Load(%)	
	Mounting (A),(B),(C),(E)	Mounting (D),(F)
-10 - +40	100	
+50	100	70
+60	70	20
+70	20	-

ZWS150B

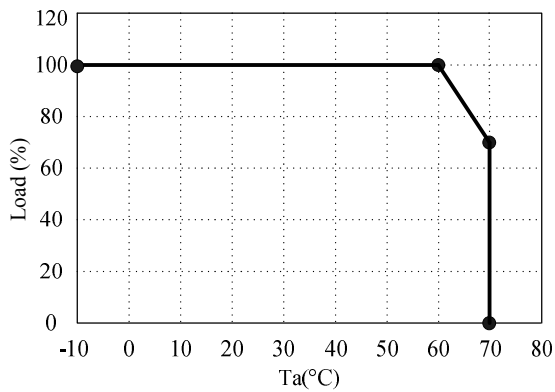


◆ Mounting (A),(E)
 ■ Mounting (B),(C)
 ▲ Mounting (D),(F)

Ta (°C)	Load(%)		
	Mounting (A),(E)	Mounting (B),(C)	Mounting (D),(F)
-10 - +30	100		
+40	100	100	70
+50	100	70	20
+60	70	20	-
+70	20	-	-

FORCED AIR COOLING

ZWS50B • ZWS75B • ZWS100B • ZWS150B



● Mounting (A) - (F)

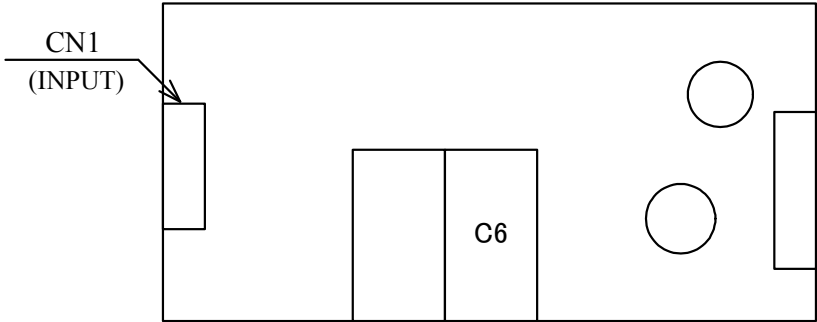
Ta (°C)	Load (%)
	Mounting(A) - (F)
-10 - +60	100
+70	70

Electrolytic capacitor allowable Max temperature

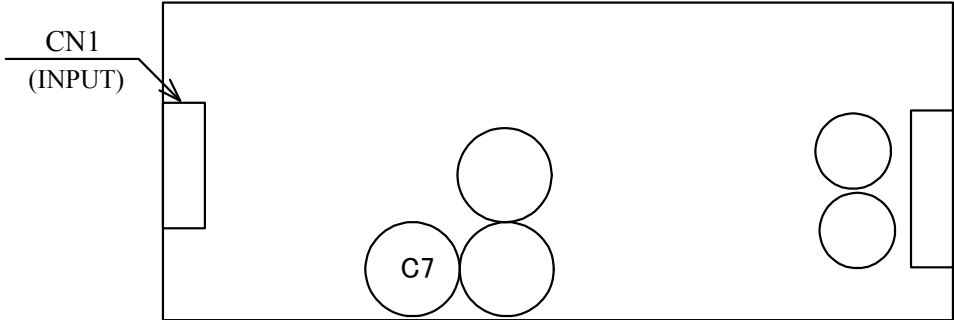
Model	Allowable Max temperature			
	C6	C7	C9	C51
ZWS50B	80°C (for 24V,48V : 70°C)	-	-	-
ZWS75B	-	75°C (for 24V,48V : 70°C)	-	-
ZWS100B	-	-	80°C	75°C
ZWS150B	-	-	80°C	75°C

The entire component must be cooled. The maximum temperature of the electrolytic capacitor C6, C7, C9 and C51 must be lower than “Electrolytic capacitor allowable max temperature” in the above table.
 As reference, set wind velocity at 0.7m/s.

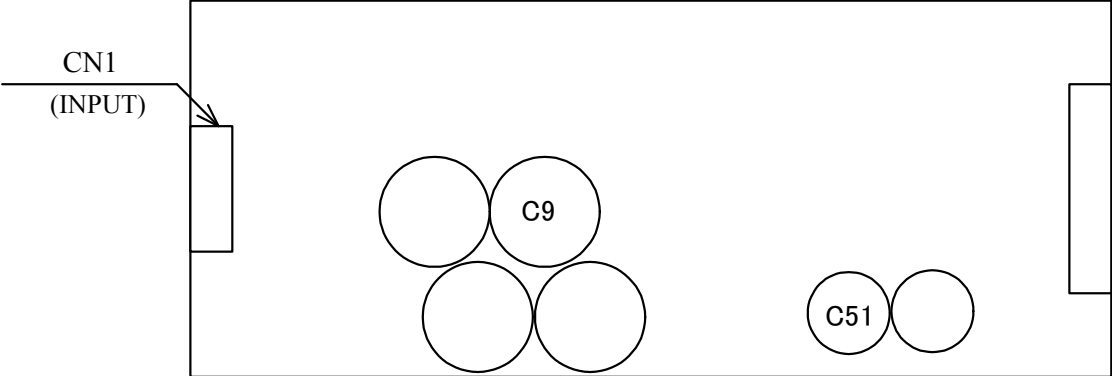
ZWS50B



ZWS75B



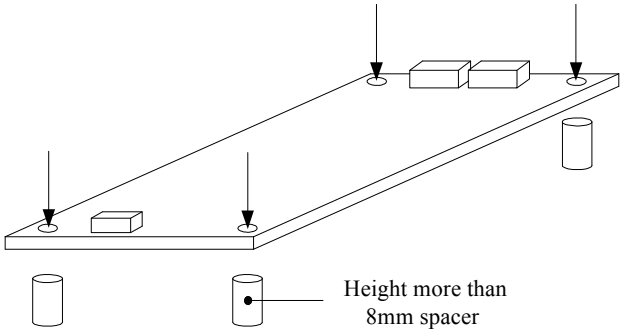
ZWS100B, ZWS150B



5-3. Mounting Method

Insert the spacer (Max ϕ 8) of height more than 8mm to lift the unit. And use all mounting holes for the unit installation. The vibration spec is specified under this mounting condition.

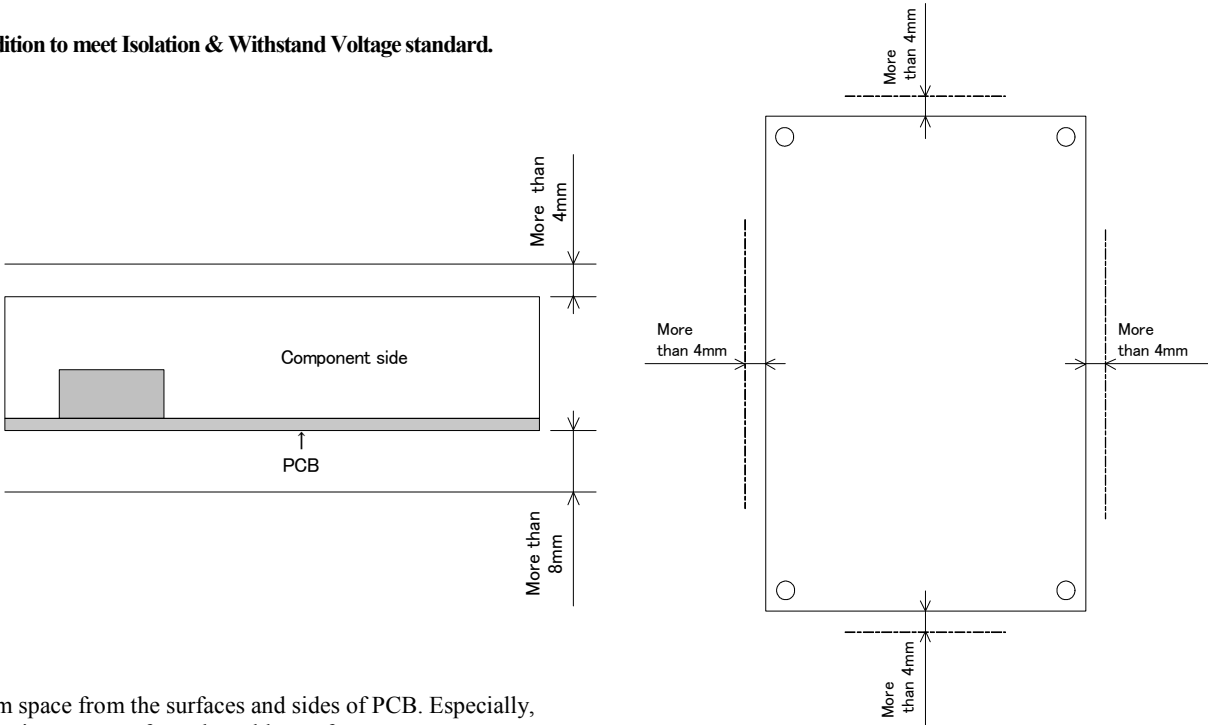
- **Mounting Holes size**
4 holes ϕ 3.5mm.




Allowable area by metal pieces is 9mm from each PCB corners. Refer to figure below.

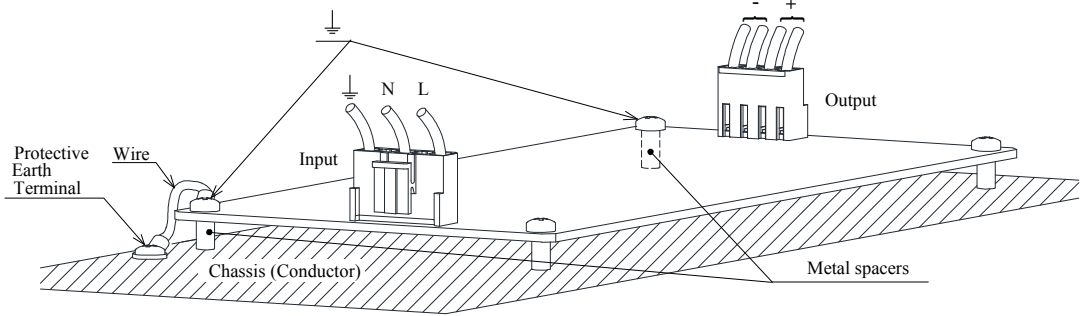


■ **Condition to meet Isolation & Withstand Voltage standard.**



Keep 4mm space from the surfaces and sides of PCB. Especially, 8mm space is necessary from the solder surface.
 If the space is not enough, the specification of isolation and withstand will not be satisfied.
 Take the space in the power supply surroundings and the upper area of components to keep enough for convection cooling.

■  should be connected to the protective earth terminal of the equipment. Also 2 mounting holes are should be connected to the Chassis (Conductor) by metal spacer. If not, the conducted noise, radiation noise and output noise will increase.



6. Wiring Method

- (1) The output load line and input line shall be separated each other and twisted individually to improve noise.
- (2) Use all lines as thick and short as possible to made lower impedance.
- (3) Noise can be reduced by attaching a capacitor to the load terminals.
- (4) For safety and EMI considerations, connect between \perp terminal of input connector and protective earth terminal firmly.

7. External Fuse Rating

Refer to the following fuse rating when selecting the external fuses that are to be used on input line. Surge current flows when line turns on. Have to use slow-blow or time-lag type fuse, not fast-blow fuse. Fuse rating is considered by in-rush current value at line turn-on. Do not select the fuse according to input current (RMS.) values under the actual load condition

ZWS50B : 3.15A
 ZWS75B : 5.0A
 ZWS100B : 5.0A
 ZWS150B : 6.3A

8. Before concluding that the unit is at fault

- (1) Check if the rated input voltage is connected.
- (2) Check if the wiring of input and output is correct.
- (3) Check if the wire thickness is enough.
- (4) Check if the output current and output wattage dose not over specification.
- (5) Check if the output voltage control (V.ADJ) is properly adjusted. OVP might be triggered and output is shut down.
- (6) Audible noise can be heard when input voltage waveform is not sinusoidal wave.
- (7) Audible noise can be heard daring Dynamic-Load operation.
- (8) Ensure that a large capacitor is not connected on the output side. Please use within maximum capacitance shown below.

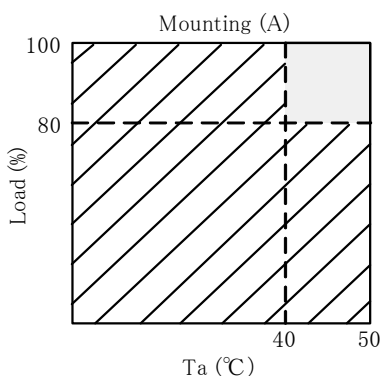
Model	Maximum external capacitance					
	3.3V	5V	12V	15V	24V	48V
ZWS50B·ZWS75B	10,000uF		5,000uF		2,000uF	500uF
ZWS100B·ZWS150B	15,000uF		No specification			

9. Warranty Period

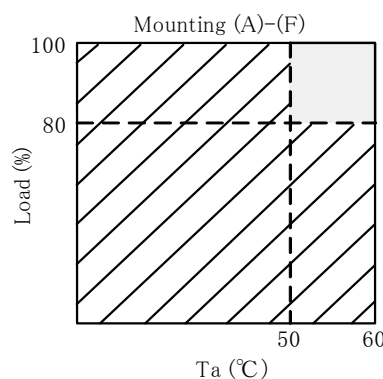
As for the breakdown under a normal use during warranty period, repair is at free of charge.
 For mounting method aside from the following, inquire our company.

ZWS50B · ZWS75B · ZWS100B · ZWS150B

CONVECTION COOLING



FORCED AIR COOLING



- Warranted for a period of 5 years
- Warranted for a period of 3 years

Following cases are not covered by warranty.

- (1) Improper usage like dropping products, applying shock and defects from operation exceeding specification of the units.
- (2) Defects resulting from natural disaster (fire, flood etc).
- (3) Unauthorized modifications or repair by the buyers' defects not cause by our company.