

CCG15-24-xxD

C282-01-01A

SPECIFICATIONS

ITEMS		MODEL	CCG15-24-12D	CCG15-24-15D
1	Nominal Output Voltage	V	±12	±15
2	Maximum Output Current	A	0.65	0.5
3	Nominal Output Power	W	15.6	15
4	Efficiency (Typ.) (*1)	%	89	90
5	Input Voltage Range	VDC	9 - 36	
6	Input Current (*1)	A	0.73	0.70
7	Output Voltage Accuracy (*1)	%	±5	
8	Output Voltage Range	-	Fixed	
9	Maximum Ripple & Noise (*6)	mV	95	95
10	Maximum Line Regulation (*2)	mV	60	75
11	Maximum Load Regulation (*3)	mV	120	150
12	Maximum Load Regulation (*8)	mV	480	600
13	Over Current Protection	-	105% min. (Hiccup, Automatic recovery method)	
14	Over Voltage Protection	-	-	
15	Remote ON/OFF control (*5)	-	Possible (SHORT : ON OPEN : OFF)	
16	Parallel Operation	-	-	
17	Series Operation (*5)	-	Possible	
18	Operating Temperature (*4)	-	-40°C - +110°C(Case) , -40°C - +85°C(Ambient)	
19	Operating Humidity	-	5 - 95%RH (No Dewdrop)	
20	Storage Temperature	-	-55°C - +125°C	
21	Storage Humidity	-	5 - 95%RH (No Dewdrop)	
22	Cooling	-	Convection cooled / Forced air cooled	
23	Temperature Coefficient	-	0.02%/°C	
24	Withstand Voltage (*7)	-	Input-Case : 1.0kVDC for 1min. (10mA) , Input-Output : 1.5kVDC for 1min. (10mA) Output-Case : 1.0kVDC for 1min. (10mA)	
25	Isolation Resistance	-	Output to Case 500VDC more than 100MW (25°C,70%RH)	
26	Vibration	-	At No Operating, 10-55Hz (Sweep for 3min.) Amplitude 1.52 mm Constant (Maximum 90.8m/s ²) X,Y,Z 1 hour each	
27	Shock	-	490.3m/s ²	
28	Safety	-	Approved by UL60950-1, CSA60950-1, EN60950-1 UL62368-1, CSA62368-1, EN62368-1	
29	Weight (Typ.)	g	20	
30	Size (W x H x D)	mm	25.4 x 9.9 x 25.4 (Refer to Outline Drawing)	

*Read instruction manual carefully, before using the power supply unit.

=NOTES=

*1. At 24VDC and maximum output current.

(Ambient Temperature = +25°C.)

*2. 9 - 36VDC, Constant load.

*3. No Load - Full Load, Constant input voltage. (Balanced load)

*4. Rating - Refer to instruction manual.

*5. Refer to Instruction Manual.

*6. External components are needed for operation.

(Refer to basic connection and instruction manual.)

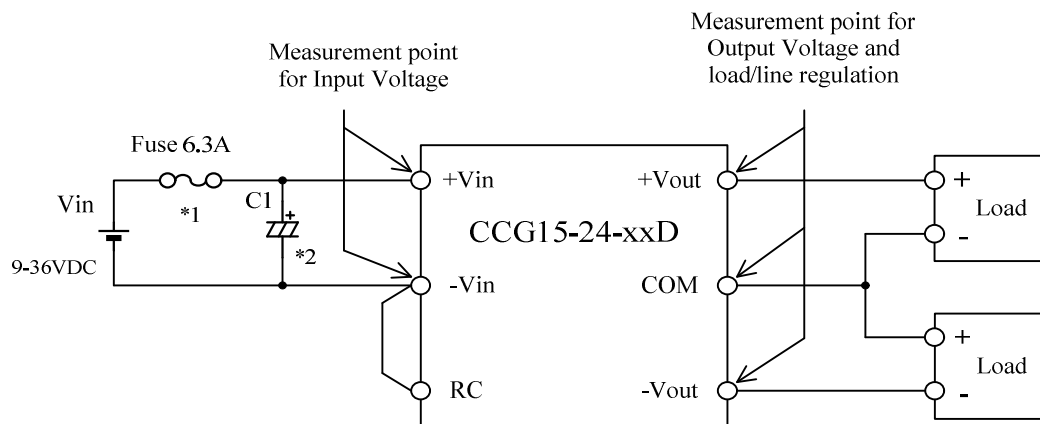
*7. This specification applies to power supply module as stand-alone.

*8. One side fixed Full Load, the other side 20% - Full Load, Constant input voltage. (Asymmetrical load)

CCG15-24-xxD

C282-01-02

BASIC CONNECTION



*Read instruction manual carefully, before using the power supply unit.

==NOTES==

*1. Use an external fuse (fast blow type or normal blow type) for each unit.

*2. Put input capacitor.

C1 : Electrolytic capacitor More than 50V, 120uF

1) Use low impedance electrolytic capacitor with excellent temperature characteristics.

2) If the impedance of input line is high, C1 capacitance must be more than above.