

CCG15-48-xxS/P

C269-01-01/P-A

SPECIFICATIONS

| ITEMS | | MODEL | CCG15-48-03S/P | CCG15-48-05S/P | CCG15-48-12S/P | CCG15-48-15S/P |
|-------|-------------------------|---------|--|----------------|----------------|----------------|
| 1 | Nominal Output Voltage | V | 3.3 | 5 | 12 | 15 |
| 2 | Maximum Output Current | A | 4 | 3 | 1.3 | 1 |
| 3 | Nominal Output Power | W | 13.2 | 15 | 15.6 | 15 |
| 4 | Efficiency (Typ.) | (*1) % | 85 | 87 | 88 | 88 |
| 5 | Input Voltage Range | VDC | 18 - 76 | | | |
| 6 | Input Current | (*1) A | 0.32 | 0.36 | 0.37 | 0.36 |
| 7 | Output Voltage Accuracy | (*1) % | ±2 | | | |
| 8 | Output Voltage Range | % | ±10 | | | |
| 9 | Maximum Ripple & Noise | (*6) mV | 70 | 70 | 95 | 95 |
| 10 | Maximum Line Regulation | (*2) mV | 13.2 | 20 | 48 | 60 |
| 11 | Maximum Load Regulation | (*3) mV | 13.2 | 20 | 48 | 60 |
| 12 | Over Current Protection | - | 105% min. (Hiccup, Automatic recovery method) | | | |
| 13 | Over Voltage Protection | - | - | | | |
| 14 | Remote ON/OFF control | (*5) - | Possible (SHORT : OFF OPEN : ON) | | | |
| 15 | Parallel Operation | - | - | | | |
| 16 | Series Operation | (*5) - | Possible | | | |
| 17 | Operating Temperature | (*4) - | -40°C - +110°C(Case) , -40°C - +85°C(Ambient) | | | |
| 18 | Operating Humidity | - | 5 - 95%RH (No Dewdrop) | | | |
| 19 | Storage Temperature | - | -55°C - +125°C | | | |
| 20 | Storage Humidity | - | 5 - 95%RH (No Dewdrop) | | | |
| 21 | Cooling | - | Convection cooled / Forced air cooled | | | |
| 22 | Temperature Coefficient | - | 0.02%/°C | | | |
| 23 | Withstand Voltage | (*7) - | Input-Case : 1.0kVDC for 1min. (10mA) , Input-Output : 1.5kVDC for 1min. (10mA) Output-Case : 1.0kVDC for 1min. (10mA) | | | |
| 24 | Isolation Resistance | - | Output to Case 500VDC more than 100MΩ (25°C,70%RH) | | | |
| 25 | Vibration | - | At No Operating, 10-55Hz (Sweep for 3min.) Amplitude 1.52 mm Constant (Maximum 90.8m/s ²) X,Y,Z 1 hour each | | | |
| 26 | Shock | - | 490.3m/s ² | | | |
| 27 | Safety | - | Approved by UL62368-1, CSA62368-1, EN62368-1, UL60950-1,CSA60950-1, EN60950-1 (Expire date of 60950-1 : 20/12/2020) | | | |
| 28 | Weight (Typ.) | g | 20 | | | |
| 29 | Size (W x H x D) | mm | 25.4 x 9.9 x 25.4 (Refer to Outline Drawing) | | | |

*Read Instruction Manual carefully, before using the power supply unit.

=NOTES=

*1. At 48VDC and maximum output current.

(Ambient Temperature = +25°C.)

*2. 18 - 76VDC, Constant load.

*3. No Load - Full Load, Constant input voltage.

*4. Rating - Refer to Instruction Manual.

*5. Refer to Instruction Manual.

*6. External components are needed for operation.

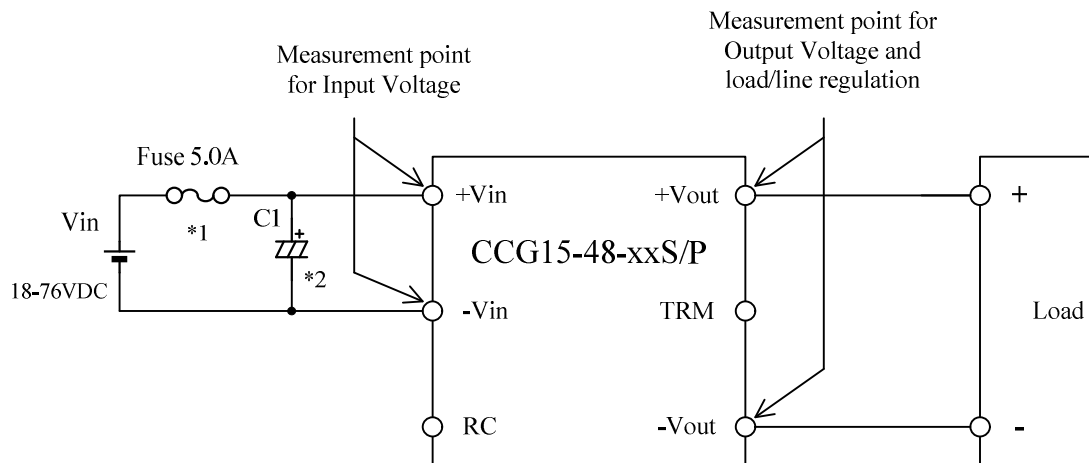
(Refer to Instruction Manual.)

*7. This specification applies to power supply module as stand-alone.

CCG15-48-xxS/P

C269-01-02/P

BASIC CONNECTION



*Read instruction manual carefully, before using the power supply unit.

==NOTES==

*1. Use an external fuse (fast blow type or normal blow type) for each unit.

*2. Put input capacitor.

C1 : Electrolytic capacitor More than 100V, 47uF

- 1) Use low impedance electrolytic capacitor with excellent temperature characteristics.
- 2) If the impedance of input line is high, C1 capacitance must be more than above.