

**CCG30-24-xxS/P**

C266-01-01/P-A

SPECIFICATIONS

ITEMS		MODEL	CCG30-24-03S/P	CCG30-24-05S/P	CCG30-24-12S/P	CCG30-24-15S/P
1	Nominal Output Voltage	V	3.3	5	12	15
2	Maximum Output Current	A	7	6	2.5	2
3	Nominal Output Power	W	23.1	30	30	30
4	Efficiency (Typ.)	(*1) %	86	89	89	89
5	Input Voltage Range	VDC	9 - 36			
6	Input Current	(*1) A	1.12	1.40	1.40	1.40
7	Output Voltage Accuracy	(*1) %	±2			
8	Output Voltage Range	%	±10			
9	Maximum Ripple & Noise	(*6) mV	70	70	95	95
10	Maximum Line Regulation	(*2) mV	13.2	20	48	60
11	Maximum Load Regulation	(*3) mV	13.2	20	48	60
12	Over Current Protection	-	105% min. (Hiccup, Automatic recovery method)			
13	Over Voltage Protection	-	-			
14	Remote ON/OFF control	(*5) -	Possible (SHORT : OFF OPEN : ON)			
15	Parallel Operation	-	-			
16	Series Operation	(*5) -	Possible			
17	Operating Temperature	(*4) -	-40°C - +110°C(Case) , -40°C - +85°C(Ambient)			
18	Operating Humidity	-	5 - 95%RH (No Dewdrop)			
19	Storage Temperature	-	-55°C - +125°C			
20	Storage Humidity	-	5 - 95%RH (No Dewdrop)			
21	Cooling	-	Convection cooled / Forced air cooled			
22	Temperature Coefficient	-	0.02%/°C			
23	Withstand Voltage	(*7) -	Input-Case : 1.0kVDC for 1min. (10mA) , Input-Output : 1.5kVDC for 1min. (10mA) Output-Case : 1.0kVDC for 1min. (10mA)			
24	Isolation Resistance	-	Output to Case 500VDC more than 100MΩ (25°C,70%RH)			
25	Vibration	-	At No Operating, 10-55Hz (Sweep for 3min.) Amplitude 1.52 mm Constant (Maximum 90.8m/s <sup>2</sup> ) X,Y,Z 1 hour each			
26	Shock	-	490.3m/s <sup>2</sup>			
27	Safety	-	Approved by UL62368-1, CSA62368-1, EN62368-1, UL60950-1,CSA60950-1, EN60950-1 (Expire date of 60950-1 : 20/12/2020)			
28	Weight (Typ.)	g	20			
29	Size (W x H x D)	mm	25.4 x 9.9 x 25.4 (Refer to Outline Drawing)			

\*Read Instruction Manual carefully, before using the power supply unit.

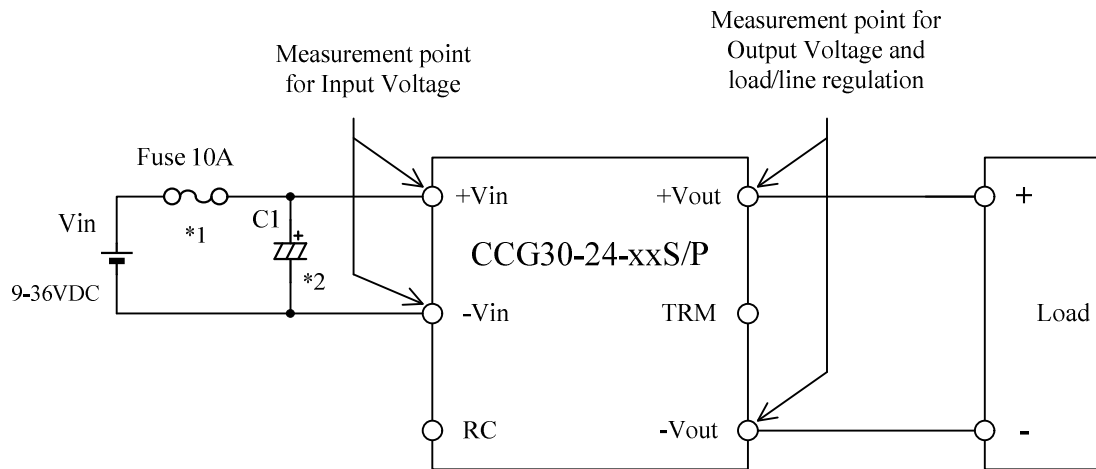
=NOTES=

- \*1. At 24VDC and maximum output current.  
(Ambient Temperature = +25°C.)
- \*2. 9 - 36VDC, Constant load.
- \*3. No Load - Full Load, Constant input voltage.
- \*4. Rating - Refer to Instruction Manual.
- \*5. Refer to Instruction Manual.
- \*6. External components are needed for operation.  
(Refer to Instruction Manual.)
- \*7. This specification applies to power supply module as stand-alone.

**CCG30-24-xxS/P**

C266-01-02/P

BASIC CONNECTION



\*Read instruction manual carefully, before using the power supply unit.

==NOTES==

\*1. Use an external fuse (fast blow type or normal blow type) for each unit.

\*2. Put input capacitor.

C1 : Electrolytic capacitor More than 50V, 120uF

- 1) Use low impedance electrolytic capacitor with excellent temperature characteristics.
- 2) If the impedance of input line is high, C1 capacitance must be more than above.