

**CCG30-24-xxS**

C266-01-01C

SPECIFICATIONS

| ITEMS |                         | MODEL   | CCG30-24-03S   | CCG30-24-05S | CCG30-24-12S | CCG30-24-15S |
|-------|-------------------------|---------|--|--------------|--------------|--------------|
| 1     | Nominal Output Voltage  | V       | 3.3  | 5            | 12           | 15           |
| 2     | Maximum Output Current  | A       | 7  | 6            | 2.5          | 2            |
| 3     | Nominal Output Power    | W       | 23.1   | 30           | 30           | 30           |
| 4     | Efficiency (Typ.)       | (*1) %  | 86   | 89           | 89           | 89           |
| 5     | Input Voltage Range     | VDC     | 9 - 36   |              |              |              |
| 6     | Input Current           | (*1) A  | 1.12   | 1.40         | 1.40         | 1.40         |
| 7     | Output Voltage Accuracy | (*1) %  | ±2   |              |              |              |
| 8     | Output Voltage Range    | %       | ±10  |              |              |              |
| 9     | Maximum Ripple & Noise  | (*6) mV | 70   | 70           | 95           | 95           |
| 10    | Maximum Line Regulation | (*2) mV | 13.2   | 20           | 48           | 60           |
| 11    | Maximum Load Regulation | (*3) mV | 13.2   | 20           | 48           | 60           |
| 12    | Over Current Protection | -       | 105% min. (Hiccup, Automatic recovery method)  |              |              |              |
| 13    | Over Voltage Protection | -       | -  |              |              |              |
| 14    | Remote ON/OFF control   | (*5) -  | Possible (SHORT : ON OPEN : OFF)   |              |              |              |
| 15    | Parallel Operation      | -       | -  |              |              |              |
| 16    | Series Operation        | (*5) -  | Possible   |              |              |              |
| 17    | Operating Temperature   | (*4) -  | -40°C - +110°C(Case) , -40°C - +85°C(Ambient)  |              |              |              |
| 18    | Operating Humidity      | -       | 5 - 95%RH (No Dewdrop)   |              |              |              |
| 19    | Storage Temperature     | -       | -55°C - +125°C   |              |              |              |
| 20    | Storage Humidity        | -       | 5 - 95%RH (No Dewdrop)   |              |              |              |
| 21    | Cooling                 | -       | Convection cooled / Forced air cooled  |              |              |              |
| 22    | Temperature Coefficient | -       | 0.02%/°C   |              |              |              |
| 23    | Withstand Voltage       | (*7) -  | Input-Case : 1.0kVDC for 1min. (10mA) , Input-Output : 1.5kVDC for 1min. (10mA)<br>Output-Case : 1.0kVDC for 1min. (10mA)  |              |              |              |
| 24    | Isolation Resistance    | -       | Output to Case 500VDC more than 100MΩ (25°C,70%RH)   |              |              |              |
| 25    | Vibration               | -       | At No Operating, 10-55Hz (Sweep for 3min.)<br>Amplitude 1.52 mm Constant (Maximum 90.8m/s <sup>2</sup> ) X,Y,Z 1 hour each |              |              |              |
| 26    | Shock                   | -       | 490.3m/s <sup>2</sup>  |              |              |              |
| 27    | Safety                  | -       | Approved by UL62368-1, CSA62368-1, EN62368-1, UL60950-1,CSA60950-1,<br>EN60950-1 (Expire date of 60950-1 : 20/12/2020)     |              |              |              |
| 28    | Weight (Typ.)           | g       | 20   |              |              |              |
| 29    | Size (W x H x D)        | mm      | 25.4 x 9.9 x 25.4 (Refer to Outline Drawing)   |              |              |              |

\*Read instruction manual carefully, before using the power supply unit.

=NOTES=

\*1. At 24VDC and maximum output current.

(Ambient Temperature = +25°C.)

\*2. 9 - 36VDC, Constant load.

\*3. No Load - Full Load, Constant input voltage.

\*4. Rating - Refer to Instruction Manual.

\*5. Refer to Instruction Manual.

\*6. External components are needed for operation.

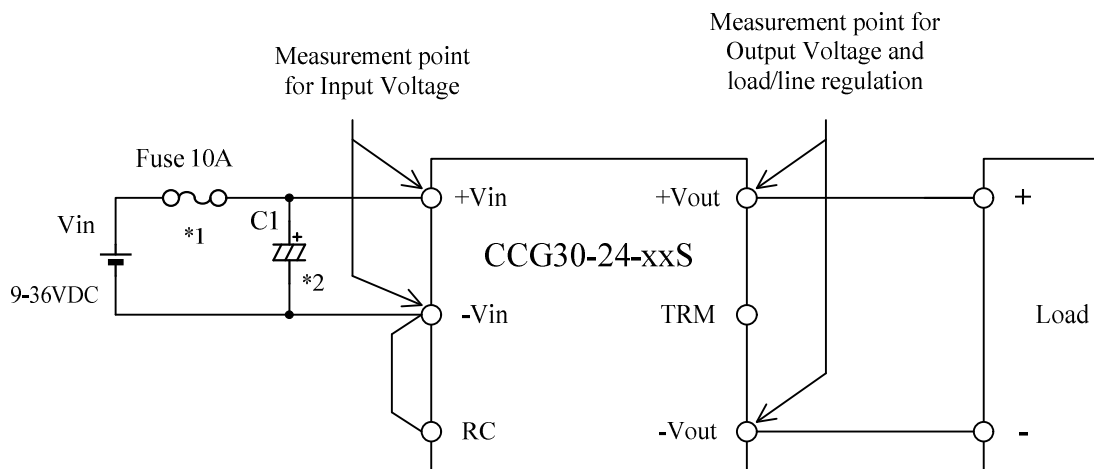
(Refer to Instruction Manual.)

\*7. This specification applies to power supply module as stand-alone.

**CCG30-24-xxS**

C266-01-02

BASIC CONNECTION



\*Read instruction manual carefully, before using the power supply unit.

==NOTES==

\*1. Use an external fuse (fast blow type or normal blow type) for each unit.

\*2. Put input capacitor.

$C1$  : Electrolytic capacitor More than 50V, 120 $\mu$ F

- 1) Use low impedance electrolytic capacitor with excellent temperature characteristics.
- 2) If the impedance of input line is high,  $C1$  capacitance must be more than above.