

CCG30-48-xxD/P

C281-01-01/P

SPECIFICATIONS

| ITEMS | | MODEL | CCG30-48-12D/P | CCG30-48-15D/P |
|-------|------------------------------|-------|--|----------------|
| 1 | Nominal Output Voltage | V | ±12 | ±15 |
| 2 | Maximum Output Current | A | 1.25 | 1.0 |
| 3 | Nominal Output Power | W | 30 | 30 |
| 4 | Efficiency (Typ.) (*1) | % | 91 | 92 |
| 5 | Input Voltage Range | VDC | 18 - 76 | |
| 6 | Input Current (*1) | A | 0.69 | 0.68 |
| 7 | Output Voltage Accuracy (*1) | % | ±5 | |
| 8 | Output Voltage Range | - | Fixed | |
| 9 | Maximum Ripple & Noise (*6) | mV | 95 | 95 |
| 10 | Maximum Line Regulation (*2) | mV | 60 | 75 |
| 11 | Maximum Load Regulation (*3) | mV | 120 | 150 |
| 12 | Maximum Load Regulation (*8) | mV | 480 | 600 |
| 13 | Over Current Protection | - | 105% min. (Hiccup, Automatic recovery method) | |
| 14 | Over Voltage Protection | - | - | |
| 15 | Remote ON/OFF control (*5) | - | Possible (SHORT : OFF OPEN : ON) | |
| 16 | Parallel Operation | - | - | |
| 17 | Series Operation (*5) | - | Possible | |
| 18 | Operating Temperature (*4) | - | -40°C - +110°C(Case) , -40°C - +85°C(Ambient) | |
| 19 | Operating Humidity | - | 5 - 95%RH (No Dewdrop) | |
| 20 | Storage Temperature | - | -55°C - +125°C | |
| 21 | Storage Humidity | - | 5 - 95%RH (No Dewdrop) | |
| 22 | Cooling | - | Convection cooled / Forced air cooled | |
| 23 | Temperature Coefficient | - | 0.02%/°C | |
| 24 | Withstand Voltage (*7) | - | Input-Case : 1.0kVDC for 1min. (10mA) , Input-Output : 1.5kVDC for 1min. (10mA) Output-Case : 1.0kVDC for 1min. (10mA) | |
| 25 | Isolation Resistance | - | Output to Case 500VDC more than 100MΩ (25°C,70%RH) | |
| 26 | Vibration | - | At No Operating, 10-55Hz (Sweep for 3min.) Amplitude 1.52 mm Constant (Maximum 90.8m/s ²) X,Y,Z 1 hour each | |
| 27 | Shock | - | 490.3m/s ² | |
| 28 | Safety | - | Approved by UL60950-1, CSA60950-1, EN60950-1 UL62368-1, CSA62368-1, EN62368-1 | |
| 29 | Weight (Typ.) | g | 20 | |
| 30 | Size (W x H x D) | mm | 25.4 x 9.9 x 25.4 (Refer to Outline Drawing) | |

*Read instruction manual carefully, before using the power supply unit.

=NOTES=

*1. At 48VDC and maximum output current.

(Ambient Temperature = +25°C.)

*2. 18 - 76VDC, Constant load.

*3. No Load - Full Load, Constant input voltage. (Balanced load)

*4. Rating - Refer to instruction manual.

*5. Refer to Instruction Manual.

*6. External components are needed for operation.

(Refer to basic connection and instruction manual.)

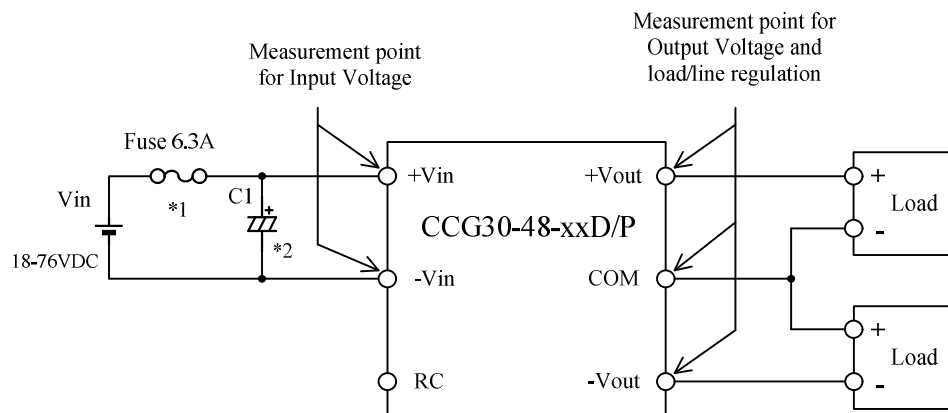
*7. This specification applies to power supply module as stand-alone.

*8. One side fixed Full Load, the other side 20% - Full Load, Constant input voltage. (Asymmetrical load)

CCG30-48-xxD/P

C281-01-02/P

BASIC CONNECTION



*Read instruction manual carefully, before using the power supply unit.

==NOTES==

*1. Use an external fuse (fast blow type or normal blow type) for each unit.

*2. Put input capacitor.

C1 : Electrolytic capacitor More than 100V, 47uF

- 1) Use low impedance electrolytic capacitor with excellent temperature characteristics.
- 2) If the impedance of input line is high, C1 capacitance must be more than above.