

PH600A280

SPECIFICATIONS

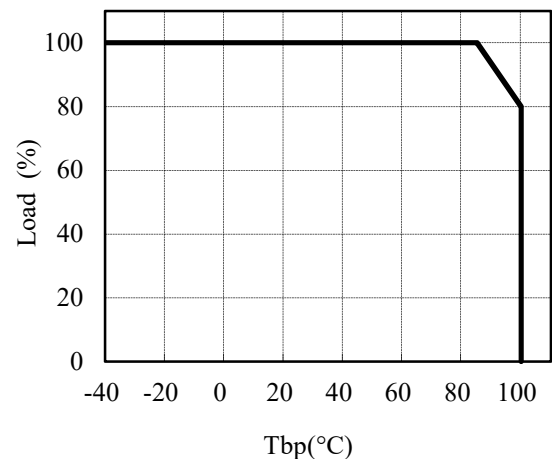
C285-01-01

MODEL		PH600A280	
ITEMS			
1	Nominal Output Voltage	V	24
2	Maximum Output Current	A	25
3	Maximum Output Power	W	600.0
4	Efficiency (Typ.)	(*1) %	93
5	Input Voltage Range	VDC	200 - 425
6	Input Current	(*1) A	2.33
7	Output Voltage Accuracy	(*1) %	+/- 1
8	Output Voltage Range	(*8) %	-40 / +20
9	Maximum Ripple & Noise	(*8) mV	240
10	Maximum Line Regulation	(*2) mV	56
11	Maximum Load Regulation	(*3) mV	56
12	Over Current Protection	(*4) %	102 - 150
13	Over Voltage Protection	(*5)(*7) %	125 - 145
14	Remote Sensing	(*7) -	Possible
15	Remote ON/OFF Control	(*7) -	Possible (SHORT : ON OPEN : OFF)
16	Parallel Operation	-	-
17	Series Operation	(*7) -	Possible
18	Operating Temperature	(*6) -	-40°C - +100°C (Baseplate)
19	Operating Humidity	-	5 - 95%RH (No Dewdrop)
20	Storage Temperature	-	-40°C - +100°C
21	Storage Humidity	-	5 - 95%RH (No Dewdrop)
22	Cooling	-	Conduction Cooled
23	Temperature Coefficient	-	0.02%/°C
24	Withstand Voltage	(*9) -	Input-Baseplate : 2.5kVAC for 1min (20mA), Input-Output: 3.0kVAC for 1min (20mA). Output-Baseplate : 500VAC for 1min (20mA).
25	Isolation Resistance	-	More than 100MΩ at 25°C and 70%RH Output-Baseplate...500VDC
26	Vibration	-	At No Operating, 10-55Hz (Sweep for 1min.) Amplitude 0.825mm Constant (Maximum 49.0m/s ²) X,Y,Z 1 hour each
27	Shock	-	196.1m/s ²
28	Safety	-	Approved by UL62368-1, EN62368-1, CSA62368-1, EN62477-1(OVC III)
29	Weight (Typ.)	g	100
30	Size (W x H x D)	mm	61.0 x 12.7 x 57.9 (Refer to Outline Drawing)

*Read instruction manual carefully, before using the power supply unit. Derating Curve

=NOTES=

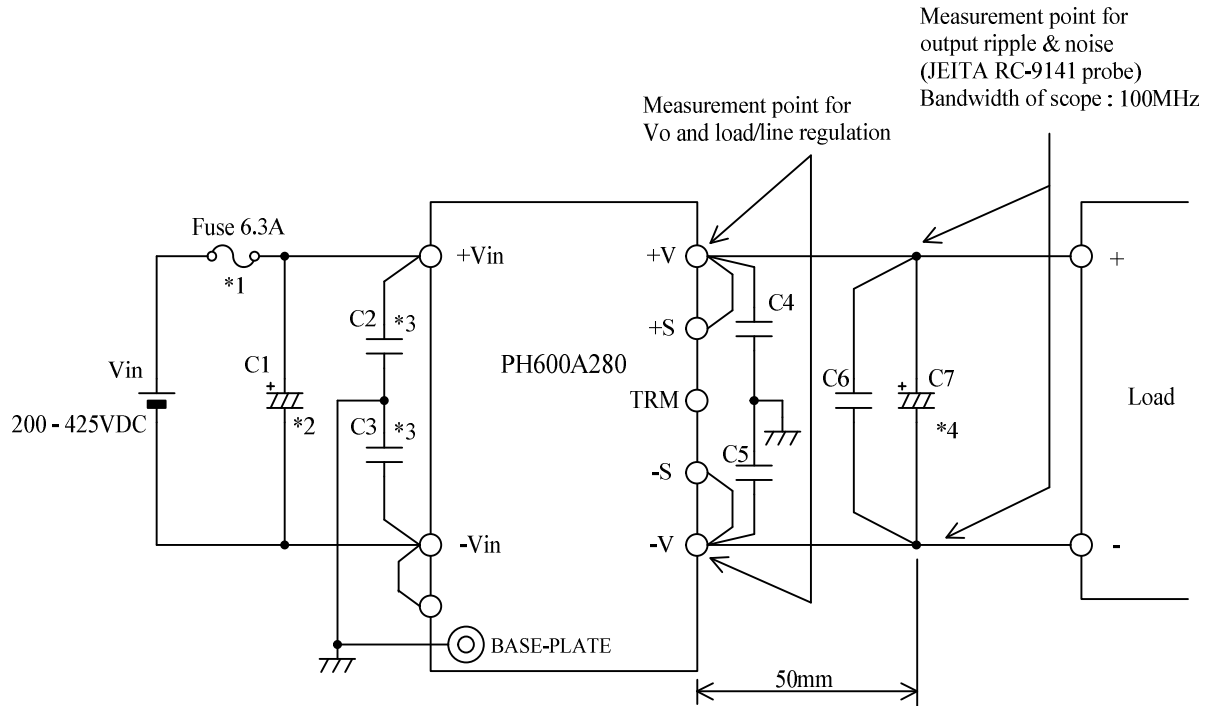
- *1. At 280VDC and maximum output current.
(Baseplate Temperature = +25°C)
- *2. 200 - 425VDC, Constant load.
- *3. No Load - Full Load, Constant input voltage.
- *4. Constant current limiting and hiccup.
- *5. OVP reset : Line off or Control off.
- *6. Rating - Refer to Derating Curve on the right.
- Load(%) is percent of maximum output current.
- Refer to Instruction Manual.
- *7. Refer to Instruction Manual.
- *8. External components are necessary for operation.
(Refer to Basic Connection and Instruction Manual.)
- *9. This specification applies to power supply module as stand-alone.



PH600A280

C285-01-02

BASIC CONNECTION



External Components list

C1:	22uF
C2:	330pF
C3:	330pF
C4:	0.022uF
C5:	0.022uF
C6:	2.2uF

C7:	24V	820uF
-----	-----	-------

* Read instruction manual carefully, before using the power supply unit.

==NOTES==

- *1. Use an external fuse for each unit.
- *2. 1) Use low impedance electrolytic capacitor with excellent temperature characteristics.
2) If the impedance of input line is high, C1 capacitance must be more than 22uF.
- *3. Put this capacitor as close as possible to Vin and BASE-PLATE.
- *4. 1) Use low impedance electrolytic capacitor with excellent temperature characteristics.
2) If ambient temperature is -20°C or lower, use more than three recommended capacitor in parallel to reduce ESR.