

DLP75-24-1 SPECIFICATIONS

CA733-01-01E

This specifications sheet also apply to option model /E,/EJ

ITEMS		MODE	DLP75-24-1	
1	Nominal Output Voltage	V	24	
2	Maximum Output Current	A	3.1	
3	Maximum Output Power	W	74.4	
4	Efficiency (100/230VAC) (Typ)	(* 1) %	82/83	
5	Input Voltage Range	(* 2) -	85~132/170~265VAC (Auto selectable) / 47~63Hz	
6	Input Current (100/230VAC) (Typ)	(* 1) A	1.7/0.8	
7	Inrush Current (100/230VAC) (Typ)	(* 3) -	20A at 100VAC, 45A at 230VAC, Ta=25°C, Cold Start	
8	PFHC	-	Built to meet IEC61000-3-2	
9	Output Voltage Range	V	21.6~28	
10	Maximum Ripple & Noise (* 4)	0≤Ta≤60°C	mV	240
		-10≤Ta<0°C	mV	360
11	Maximum Line Regulation	(* 4, 5)	mV	120
12	Maximum Load Regulation	(* 4, 6)	mV	192
13	Temperature Coefficient	-	Less than 0.05%/°C	
14	Over Current Protection	(* 7) A	3.3~	
15	Over Voltage Protection	(* 8) V	30.0~35.0	
16	Hold-Up Time (100/230VAC)	(* 1) -	20ms /30ms	
17	Leakage current	(* 9) -	Less than 0.75mA	
18	Parallel Operation	-	-	
19	Series Operation	-	Possible	
20	Operating Temperature	(* 10) -	- 10 ~ + 60 °C Convection: -10 ~ +50°C (100%); 60°C (60%)	
21	Operating Humidity	-	30 ~ 90 %RH (No dewdrop)	
22	Storage Temperature	-	- 30 ~ +85°C	
23	Storage Humidity	-	10 ~ 95%RH (No dewdrop)	
24	Cooling	-	Convection cooling	
25	Withstand Voltage	-	Input - Output : 3.0kVAC, Input - FG : 2.0kVAC (20mA) for 1min Output - FG : 500VAC (100mA) for 1min.	
26	Isolation Resistance	-	More than 100M Ω at Ta=25°C and 70%RH, Output - FG : 500VDC	
27	Vibration	-	At no operating and with DIN RAIL, 10~55Hz (Sweep for 1min) 9.8m/s ² Constant, X, Y, Z each 1hour	
28	Shock (In package)	-	Less than 196m/s ²	
29	Safety	-	Approved by UL60950-1, CSA60950-1, EN60950-1, UL508, CSA C22.2 No.14, EN60529 IP20, EN50178 CATEGORY III(Primary). Built to meet DENAN at 100VAC only.	
30	EMI	-	Built to meet VCCI-B, FCC-ClassB, EN55011/EN55022-B	
31	Immunity	-	Built to meet IEC61000-6-2 (IEC61000-4-2,-3,-4,-5,-6,-8,-11)	
32	Weight (Typ)	g	470	
33	Size (W.H.D.)	mm	50x97x110 (Refer to Outline Drawing)	

* Read instruction manual carefully , before using the power supply unit.

= NOTES=

- * 1 : At 100/230VAC and maximum output power, Ta = 25°C.
- * 2 : For cases where conformance to various safety specs (UL, CSA, EN) are required, to be described as 100-120VAC/200-240VAC, 50 / 60Hz on name plate.
- * 3 : Not applicable for the in-rush current to Noise Filter for less than 0.2ms.
- * 4 : Please refer to Fig A for measurement of line & load regulation and output ripple voltage.
(Measure with JEITA RC-9131 probe)
- * 5 : 85-132VAC/170-265VAC, constant load.
- * 6 : No load - Full load(Maximum power), constant input voltage.
- * 7 : Foldback type O.C.P with automatic recovery.
Avoid to operate at overload or dead short for more than 30seconds.
- * 8 : OVP circuit will shutdown output, manual reset. (Re Power on)
- * 9 : Measured by each measuring method of UL, CSA, EN and DENAN (at 60Hz).
- *10: At standard mounting method, Fig B.
 - Load(%) is percent of maximum output load (Item2 and 3), do not exceed derating in both Maximum Output Current and Power.
 - For standard mounting, refer to derating curve (CA733-01-02_)

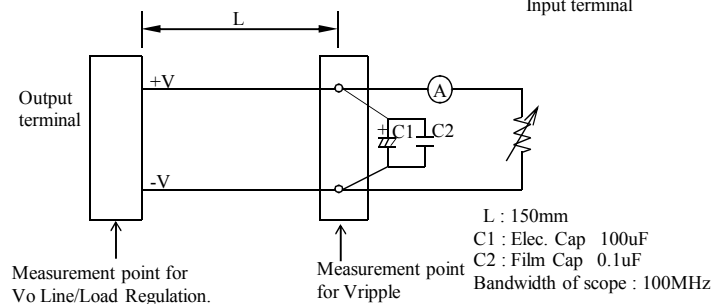
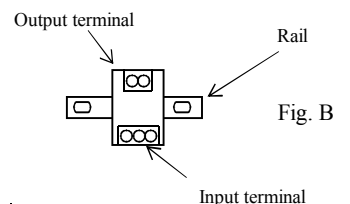


Fig. A

L : 150mm
C1 : Elec. Cap 100uF
C2 : Film Cap 0.1uF
Bandwidth of scope : 100MHz

DLP75-24-1 OUTPUT DERATING

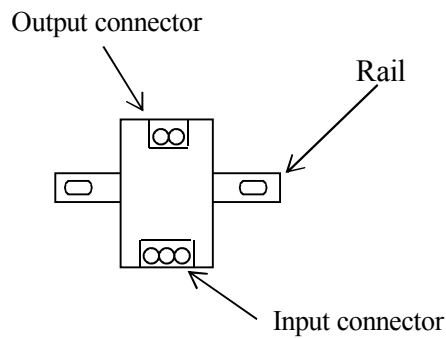
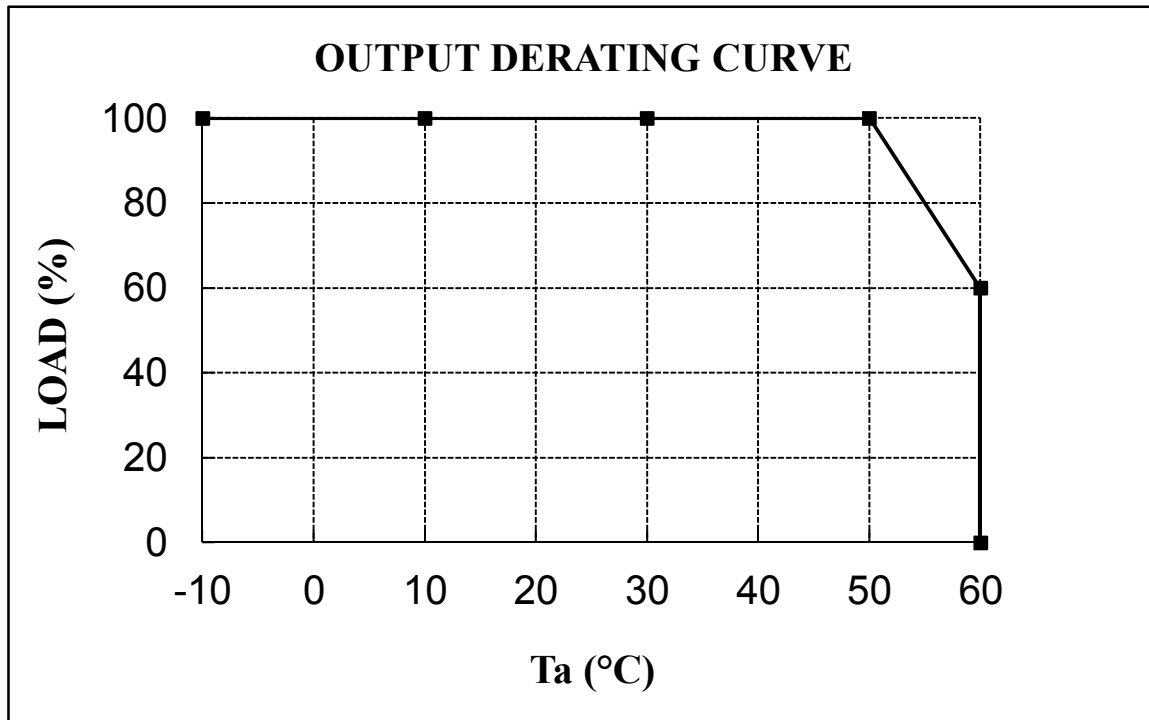
CA733-01-02

(This specifications sheet also apply to option model /E,/EJ)

DLP75-24-1

*COOLING: CONVECTION COOLING

Ta(°C)	LOADING CONDITION(%)
	Standard Mounting
-10~50	100
60	60



STANDARD MOUNTING