

RP

SPECIFICATIONS

A271-01-01A

ITEMS		MODEL	RP-60-20
1	Input Voltage Range	VDC	7 - 60
2	Maximum Input Current	A	20
3	Internal Loss (max) (*1)	W	4
4	Voltage drop (max) (*1)(*2)	mV	200
5	Reverse Current (max) (*3)	uA	50
6	Parallel Operation (*4)	-	Possible (MAX. 2 units, No current balance)
7	Series Operation	-	-
8	Over Current protection	-	-
9	Over Voltage protection	-	-
10	Operating Temperature (*5)	-	-20 - +74°C (-20 - +50°C:100%, +60°C:80%, +74°C:50%)
11	Operating Humidity	-	20 - 90%RH (No Condensing)
12	Storage Temperature	-	-40 - +85°C
13	Storage Humidity	-	10 - 90%RH (No Condensing)
14	Cooling	-	Convection Cooling
15	Withstand Voltage	-	Input, Output - FG : 500VAC (20mA) for 1min
16	Isolation Resistance	-	More than 100MΩ at 25°C and 70%RH Input, Output to FG : 500VDC
17	Vibration	-	At no operating, 10 - 55Hz (Sweep for 1min) 19.6m/s ² Constant, X,Y,Z 1hour each.
18	Shock	-	Less than 196.1m/s ²
19	Safety	-	Approved by UL60950-1, CSA60950-1, EN60950-1
20	Weight (Typ)	g	60
21	Size (W x H x D)	mm	50 x 26 x 77.5 (Refer to Outline Drawing)

*Read instruction manual carefully, before using the RP.

=NOTES=

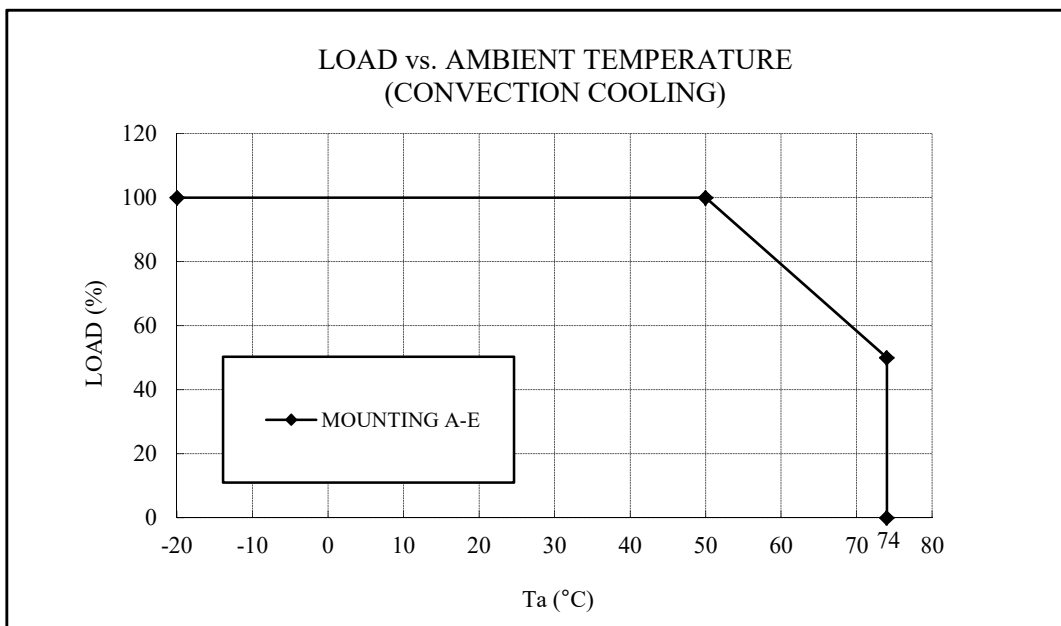
- *1. Ta=25°C, maximum input current.
- *2. Differential voltage between the input and the output, when input current is flowing.
- *3. Reverse current is sink current flowing in RP from output circuit.
Specification condition is Ta=25°C, input voltage = 0VDC and applied output voltage = 60VDC.
- *4. Each current of each RP must be less than 20A. Parallel connection is acceptable up to 2 units maximum.
- *5. Output Derating
 - Derating at standard mounting. Refer to LOAD vs. AMBIENT TEMPERATURE (A271-01-02_).
 - When forced air cooling, refer to forced air cooling specifications (A271-01-03_).
 - Load (%) is percent of maximum input current, do not exceed its derating of maximum load.

OUTPUT DERATING

A271-01-02A

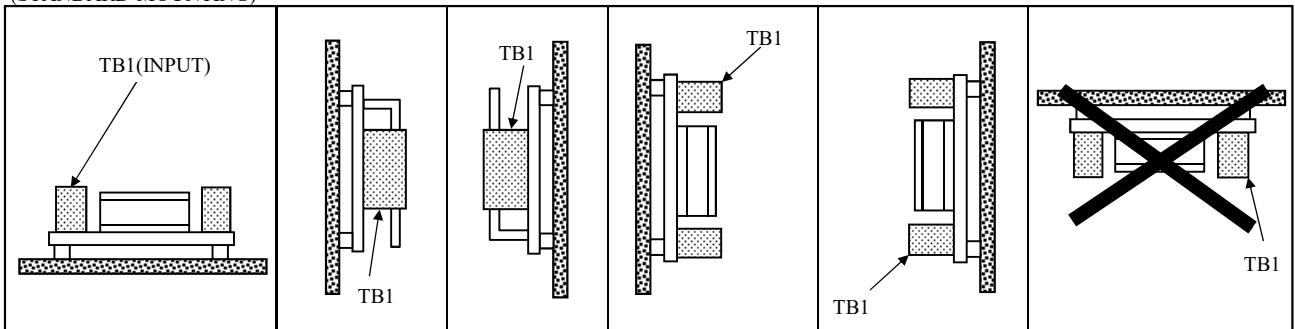
*COOLING : CONVECTION COOLING

Ta (°C)	LOAD (%)
	MOUNTING A-E
-20 - +50	100
74	50



- MOUNTING A
- MOUNTING B
- MOUNTING C
- MOUNTING D
- MOUNTING E
- DON'T USE

(STANDARD MOUNTING)



OUTPUT DERATING

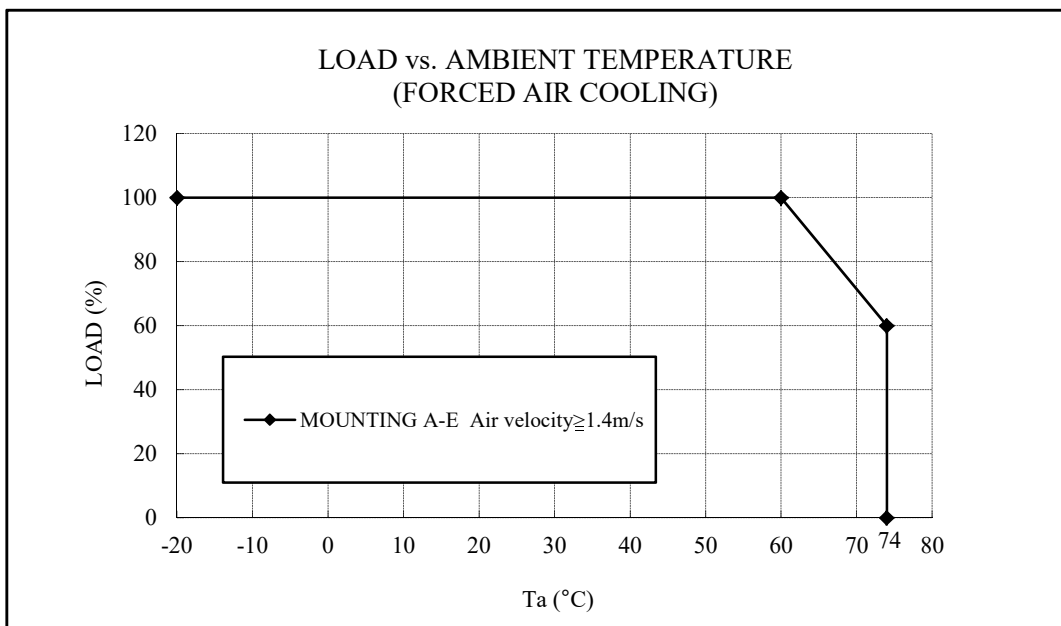
A271-01-03A

*COOLING : FORCED AIR COOLING

Ta (°C)	LOAD (%)
	MOUNTING A-E
-20 - +60	100
74	60

Air velocity $\geq 1.4\text{m/s}$:

Air must flow through component side.



- MOUNTING A
- MOUNTING B
- MOUNTING C
- MOUNTING D
- MOUNTING E
- DON'T USE

(STANDARD MOUNTING)

