

RWS1500B/FO

A274-01-01/FO-B

SPECIFICATIONS(1/2)

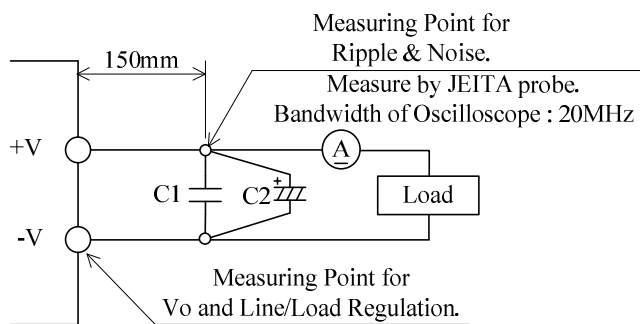
ITEMS		MODEL	RWS1500B -12/FO	RWS1500B -15/FO	RWS1500B -24/FO	RWS1500B -36/FO	RWS1500B -48/FO	
1	Nominal Output Voltage	V	12	15	24	36	48	
2	Maximum Output Current	A	125	100	63	42	32	
3	Maximum Output Power	W	1500	1500	1512	1512	1536	
4	Efficiency (Typ) (*13)	100/115VAC	%	81/82	81/82	85/85	85/85	84/85
		200/230VAC	%	84/85	84/85	88/88	88/88	87/88
5	Input Voltage Range	(*2)(*11)	-	85 - 265VAC (47 - 63Hz) or 120 - 340VDC				
6	Input Current (Typ) (*13)	100/115VAC	A	19 / 16				
		200/230VAC	A	10 / 8				
7	Inrush Current (Typ)	(*1)(*3)	-	20A / 40A at 1st Inrush , 60A / 60A at 2nd Inrush				
8	PFHC		-	Designed to meet IEC61000-3-2				
9	Power Factor (Typ)	(*1)	-	0.98/0.95				
10	Output Voltage Range	V	10.2 - 14.4	12.8 - 18.0	20.4 - 28.8	30.6 - 43.2	40.8 - 57.6	
11	Maximum Ripple & Noise (*4)	0≤Ta≤60°C	mV	150	150	180	250	300
		-20≤Ta<0°C	mV	180	180	200	300	400
12	Maximum Line Regulation	(*5)(*11)	mV	48	60	96	144	192
13	Maximum Load Regulation	(*6)(*11)	mV	96	120	144	216	288
14	Temperature Coefficient		-	Less than 0.02% / °C				
15	Over Current Protection	(*7)	A	131.3 -	105.0 -	66.2 -	44.1 -	33.6 -
16	Over Voltage Protection	(*8)	V	15.0 - 18.0	18.8 - 22.5	30.0 - 36.0	45.0 - 54.0	60.0 - 72.0
17	Hold-up Time (Typ)	(*1)	-	20ms				
18	Leakage Current	(*9)	-	Less than 1.2mA				
19	Remote Sensing	(*14)	-	Possible				
20	Monitoring Signal	(*14)	-	PF : Open Collector Output				
21	Remote Control	(*14)	-	Option				
22	Parallel Operation	(*14)	-	Possible				
23	Series Operation	(*14)	-	Possible				
24	Operating Temperature	(*10)(*11)	-	-20 - +60°C (-20 - +50°C:100%, +60°C:60%)				
25	Operating Humidity		-	20 - 90%RH (No Condensing)				
26	Storage Temperature		-	-30 - +75°C				
27	Storage Humidity		-	10 - 90%RH (No Condensing)				
28	Cooling		-	Forced Air Cooling				
29	Withstand Voltage		-	Input - FG : 2kVAC (20mA), Input - Output : 4kVAC (20mA) Output - FG : 1.5kVAC (20mA) for 1min				
30	Isolation Resistance		-	More than 100MΩ at 25°C and 70%RH Output to Chassis : 500VDC				
31	Vibration		-	At no operating, 10 - 55Hz (Sweep for 1min) 19.6m/s ² Constant, X,Y,Z 1hour each.				
32	Shock		-	Less than 196m/s ²				
33	Safety		-	Approved by UL62368-1, CSA62368-1, EN62368-1, UL60950-1, CSA60950-1, EN60950-1 (Expire date of 60950-1 : 20/12/2020) Designed to meet Den-an Appendix 12 (J60950-1).				
34	Line DIP		-	Designed to meet SEMI-F47 (200VAC Line only)				
35	Conducted Emission	(*12)	-	Designed to meet EN55011/EN55032-B, FCC-B, VCCI-B				
36	Radiated Emission	(*12)	-	Designed to meet EN55011/EN55032-B, FCC-B, VCCI-B				
37	Immunity	(*12)	-	Designed to meet IEC61000-6-2 IEC61000-4-2, -3, -4, -5, -6, -8, -11				
38	Weight (Typ)	g		3000				
39	Size (W x H x D)	mm		127 x 63 x 261 (Refer to Outline Drawing)				

*Read instruction manual carefully, before using the power supply unit.

=NOTES=

- *1. At 100VAC/200VAC, Ta=25°C, nominal output voltage and maximum output power.
- *2. For cases where conformance to various safety specs (UL, CSA, EN) are required, to be described as 100 - 240VAC(50-60Hz).
- *3. Not applicable for the in-rush current to Noise Filter for less than 0.2ms.
- *4. Please refer to Fig. A for measurement of Vo, line & load regulation and ripple voltage.
- *5. 85 - 265VAC, constant load.
- *6. No load-Full load, constant input voltage.
- *7. Constant current limit with automatic recovery. Over current condition for more than 5 seconds will cause the output to shut down. Avoid to operate at over load or short circuit condition.
- *8. OVP circuit will shut down output, manual reset (Re power on).
- *9. Measured by the each measuring method of UL, CSA, EN and Den-an(at 60Hz), Ta=25°C.
- *10. Output Derating
 - Refer to LOAD vs. AMBIENT TEMPERATURE(A274-01-02_).
 - Load (%) is percent of maximum output power or maximum output current, do not exceed its derating of maximum load.
- *11. Output derating needed when input voltage less than 90VAC. Refer to LOAD vs. INPUT VOLTAGE(A274-01-02_).
- *12. The power supply is considered a component which will be installed into a final equipment.
The final equipment should be re-evaluated that it meets EMC directives.
- *13. Ta=25°C, nominal output voltage and maximum output power.
- *14. Refer to instruction manual(A273-04-01_).

Fig.A



C1 : Film Cap. 0.1μF
C2 : Elect. Cap. 47μF