

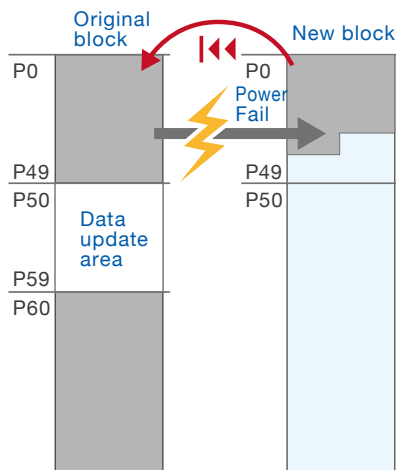
Power fault tolerance

If power fail occurs in writing a new data, SSDs will lose not only the new data itself but also other data when coping preceding and succeeding data .

TDK SSDs have 2 countermeasures.

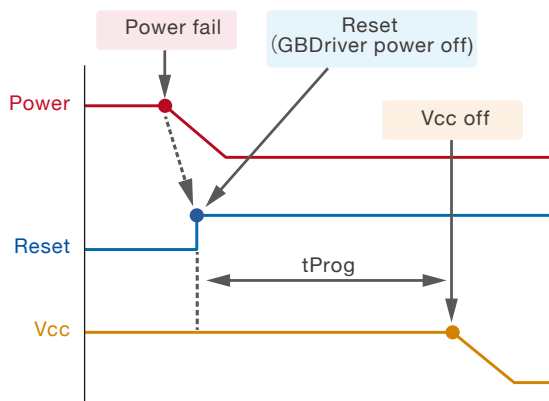
Countermeasures No.1

First by GBDriver algorithm. GBDriver keeps the original data until coping is completed and will not employ any data of incomplete copy.

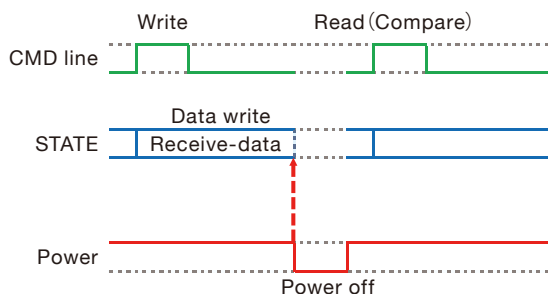


Countermeasures No.2

Second, TDK SSDs (except for SD memory cards/microSD memory cards/eSSDs) employ power back up circuit inside, they are free from ECC errors.



Power shutdown test



① SD Memory Cards, Power shutdown test result

	TDK	A	B
Writing data sectors	166,049,542	27,296,954	5,791,942
Power off cycles	15,989	7,155	753
Data errors	0 (0.00%)	2 (0.03%)	1 (0.13%)

② SSDs, Power shutdown test result

	TDK	A	B
Writing data sectors	2837558584	3966531026	2015419396
Power off cycles	677	946	481
Data errors	0 (0.00%)	859 (91%)	68 (14%)



TDK SSDs secure data reliability in sudden power fail.