

# C1005C0G1H102J050BA

TDK Item Description : C1005C0G1H102JT\*\*\*\*

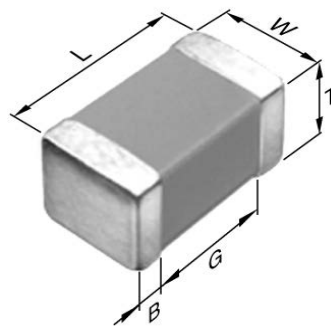


## Application & Main Feature

Commercial Grade(Up to 50V)

## Series

C1005 [EIA 0402]



## Dimensions

L	1.00mm ±0.05mm
W	0.50mm ±0.05mm
T	0.50mm ±0.05mm
B	0.10mm Min.
G	0.30mm Min.

## Temperature Characteristic

C0G (-55 to 125 degC 0+/-30ppm/degC)

## Rated Voltage

1H(50Vdc)

## Capacitance

1nF

## Capacitance Tolerance

J (±5%)

## Q Factor

1000 Min.

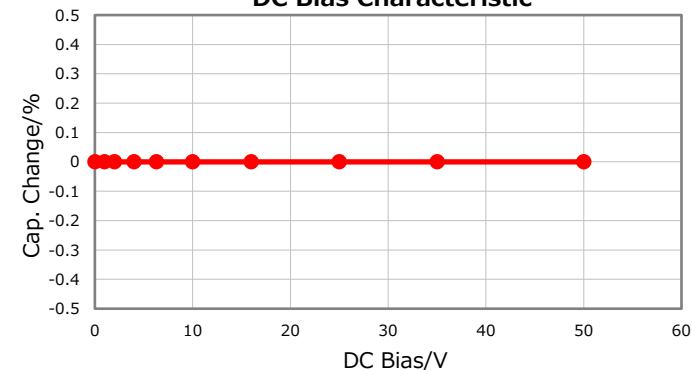
## Insulation Resistance

10Gohm Min

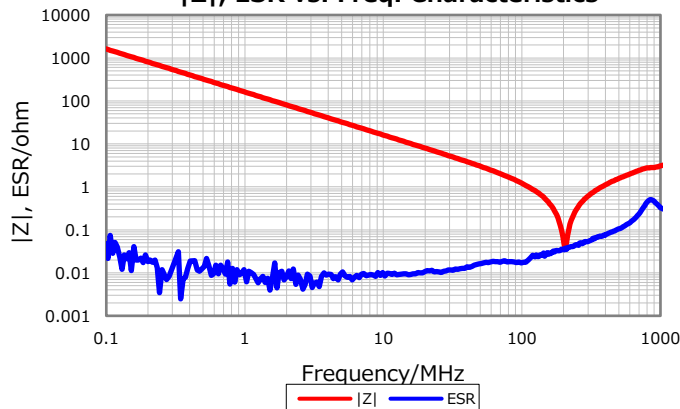
## AEC-Q200

Not Applicable

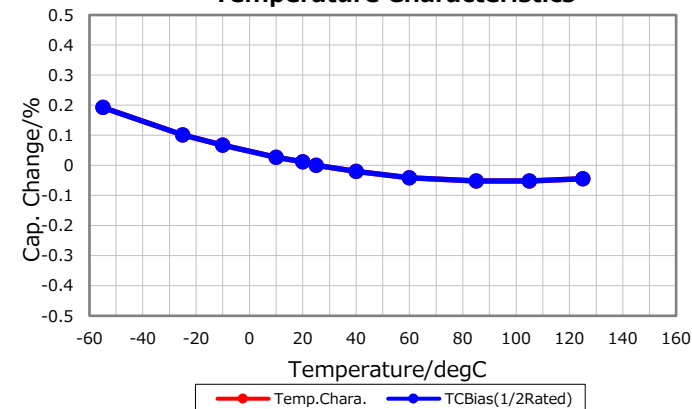
## DC Bias Characteristic



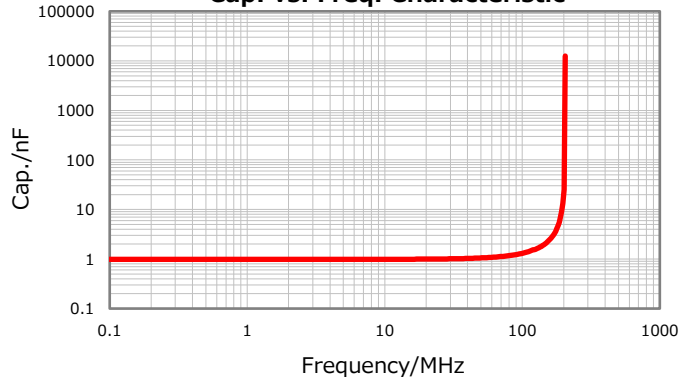
## |Z|, ESR vs. Freq. Characteristics



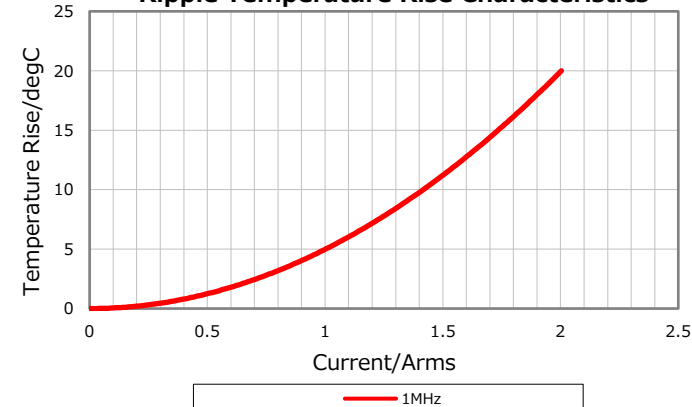
## Temperature Characteristics



## Cap. vs. Freq. Characteristic



## Ripple Temperature Rise Characteristics



Characterization Sheet ( Multilayer Ceramic Chip Capacitors )



All specifications are subject to change without notice.

May 21, 2019