

# C1005C0G2A102K050BC

TDK Item Description : C1005C0G2A102KT\*\*\*\*

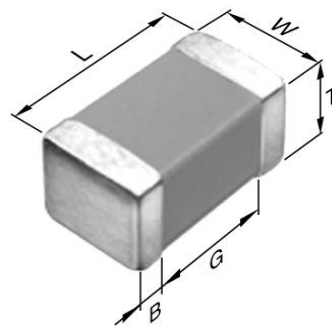


## Application & Main Feature

Commercial Grade ( Mid Volatage (100 to 630V) )

## Series

C1005 [EIA 0402]



## Dimensions

L	1.00mm +/-0.05mm
W	0.50mm +/-0.05mm
T	0.50mm +/-0.05mm
B	0.10mm Min.
G	0.30mm Min.

## Temperature Characteristic

C0G (-55 to 125 degC 0+/-30ppm/degC)

## Rated Voltage

2A (100Vdc)

## Capacitance

1nF

## Capacitance Tolerance

K (+/-10%)

## Q Factor

1000 Min.

## Insulation Resistance

10Gohm Min

## AEC-Q200

Not Applicable

