

# C1005JB1V225K050BC

TDK Item Description : C1005JB1V225KT\*\*\*\*

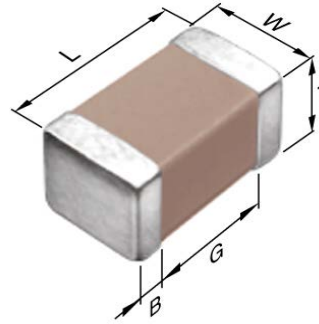


## Application & Main Feature

Commercial Grade ( General (Up to 50V) )

## Series

C1005 [EIA 0402]



## Dimensions

L	1.00mm +0.15,-0.1mm
W	0.5mm +0.15,-0.1mm
T	0.5mm +0.15,-0.1mm
B	0.10mm Min.
G	0.30mm Min.

## Temperature Characteristic

JB (-25 to 85 degC +/-10%)

## Rated Voltage

1V (35Vdc)

## Capacitance

2.2uF

## Capacitance Tolerance

K (+/-10%)

## Dissipation Factor

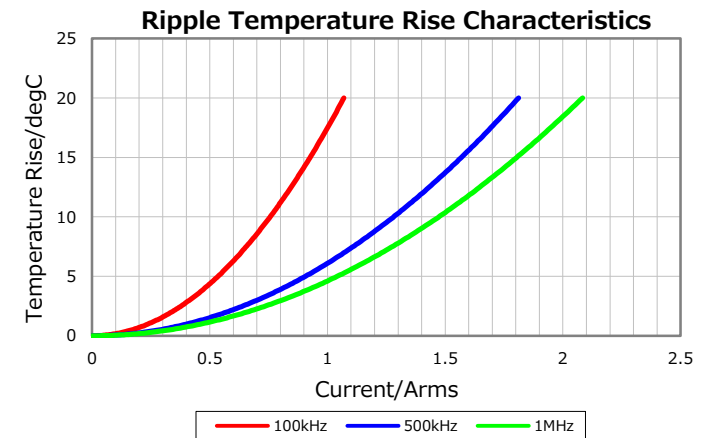
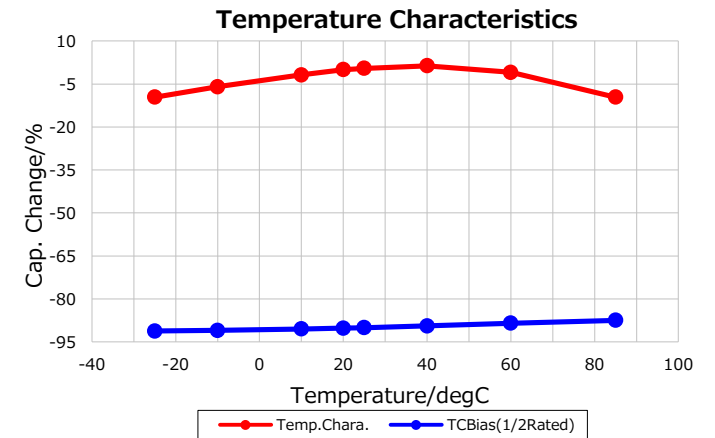
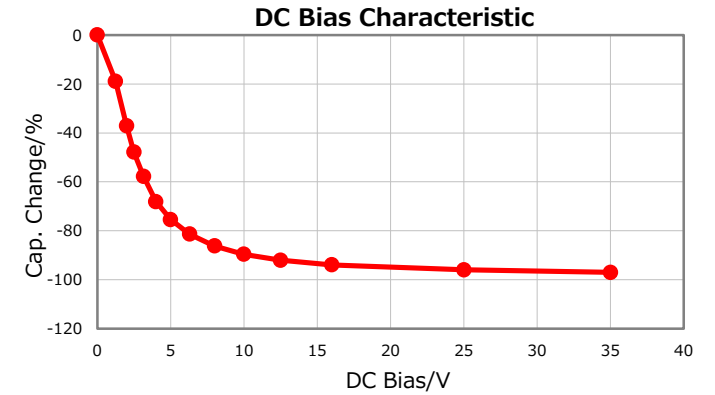
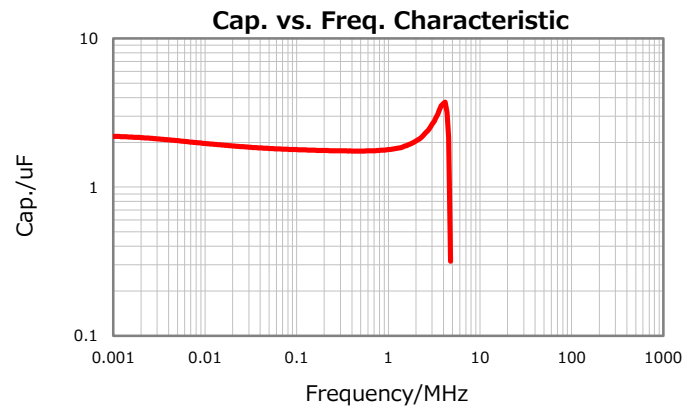
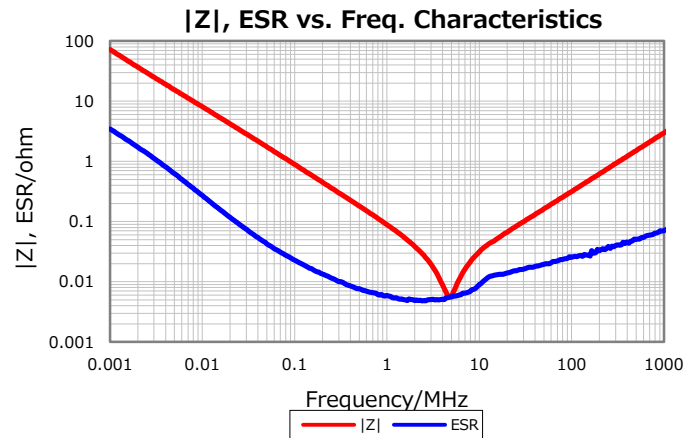
10% Max.

## Insulation Resistance

227Mohm Min.

## AEC-Q200

Not Applicable



Characterization Sheet ( Multilayer Ceramic Chip Capacitors )



All specifications are subject to change without notice.

June 27, 2018