

C1005X6S1A155M050BC

TDK Item Description : C1005X6S1A155MT****

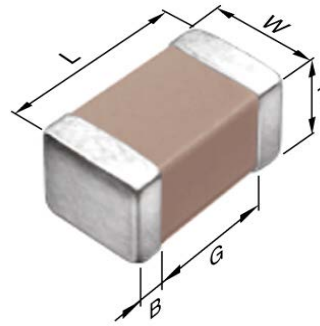


Application & Main Feature

Commercial Grade (General (Up to 50V))

Series

C1005 [EIA 0402]



Dimensions

L	1.00mm +/-0.1mm
W	0.50mm +/-0.1mm
T	0.50mm +/-0.1mm
B	0.10mm Min.
G	0.30mm Min.

Temperature Characteristic

X6S (-55 to 105 degC +/-22%)

Rated Voltage

1A (10Vdc)

Capacitance

1.5uF

Capacitance Tolerance

M (+/-20%)

Dissipation Factor

10% Max.

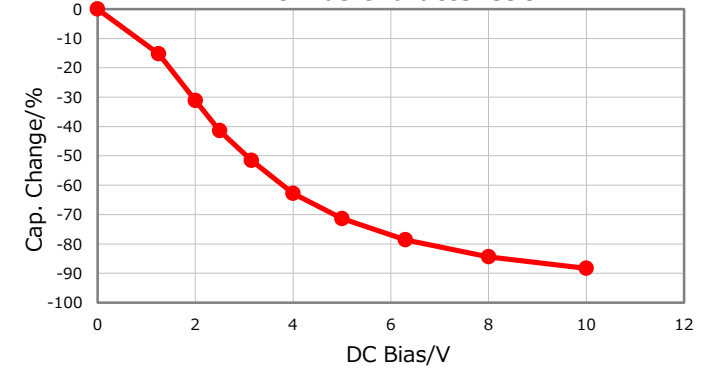
Insulation Resistance

66Mohm Min.

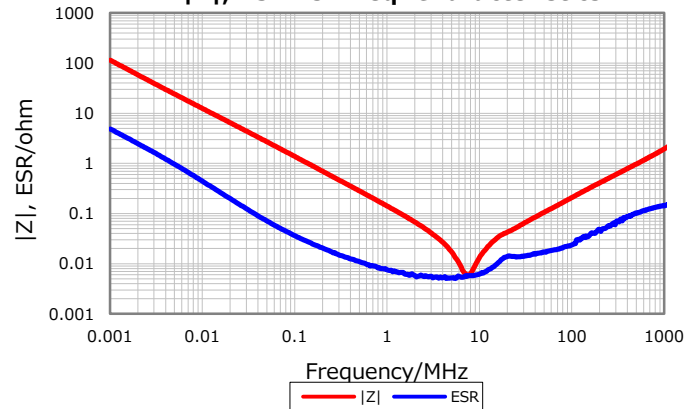
AEC-Q200

Not Applicable

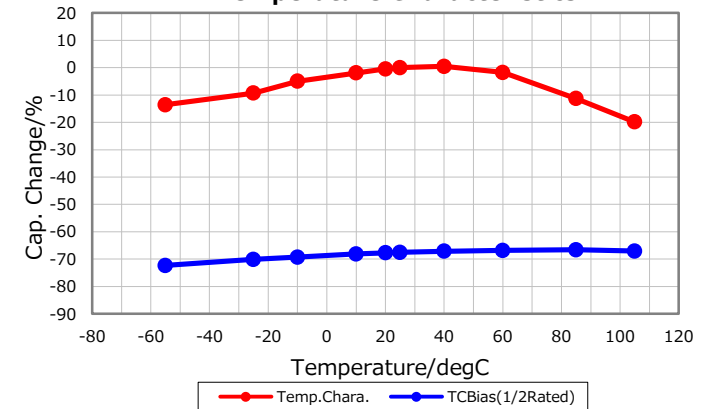
DC Bias Characteristic



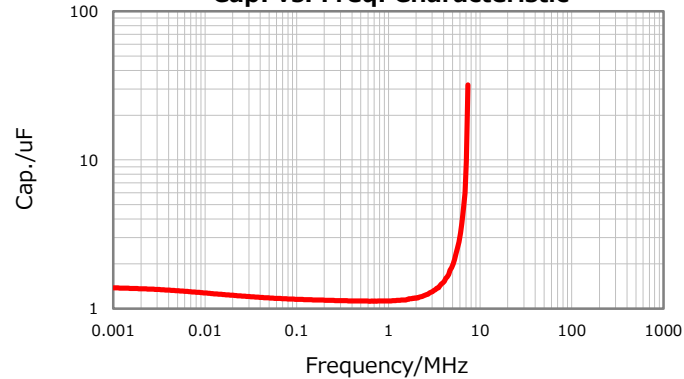
|Z|, ESR vs. Freq. Characteristics



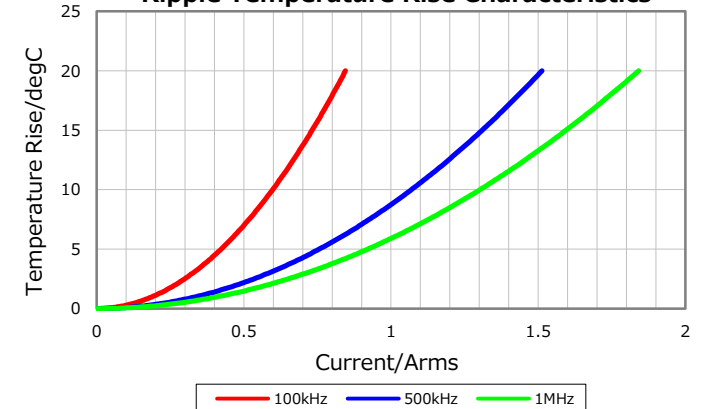
Temperature Characteristics



Cap. vs. Freq. Characteristic



Ripple Temperature Rise Characteristics



Characterization Sheet (Multilayer Ceramic Chip Capacitors)



All specifications are subject to change without notice.

July 13, 2016