

# C1005X7R1C224M050BE

TDK item description : C1005X7R1C224MT\*\*\*S

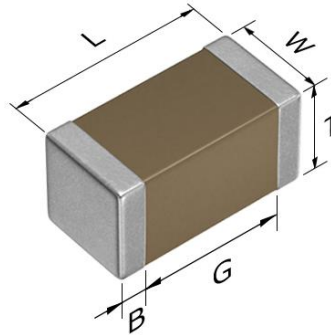


## Application & Main Feature

Commercial grade (Soft termination)

## Series

C1005 [EIA 0402]



## Dimensions

L 1.00+0.15,-0.05 mm  
 W 0.50+0.10,-0.05 mm  
 T 0.50+0.10,-0.05 mm  
 B 0.10 mm min.  
 G 0.30 mm min.

## Temperature Characteristic

X7R (-55 to +125 degC, ±15%)

## Rated Voltage

1C (16Vdc)

## Capacitance

220nF

## Capacitance Tolerance

M (±20%)

## DF

5 % max.

## Insulation Resistance

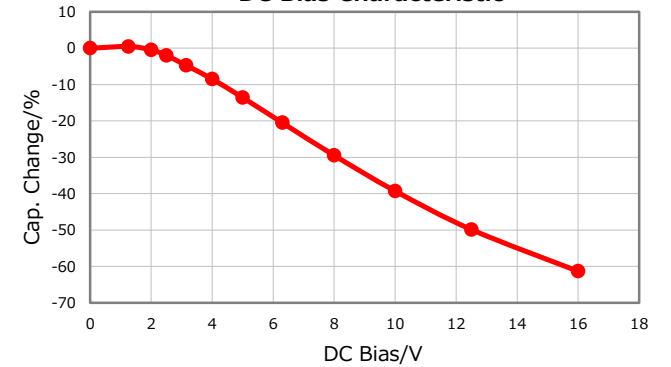
454 Mohm min.

## AEC-Q200

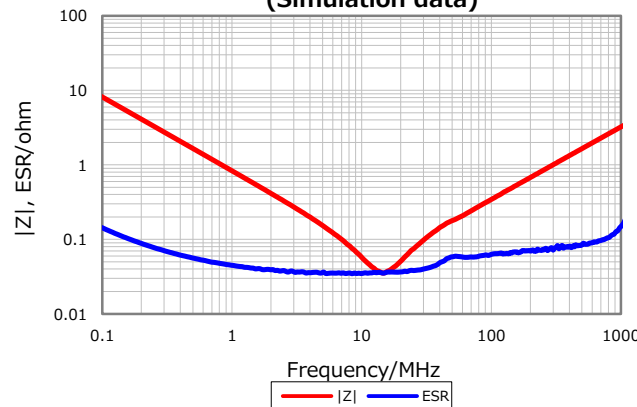
Not Applicable

Characterization Sheet ( Multilayer Ceramic Chip Capacitors )

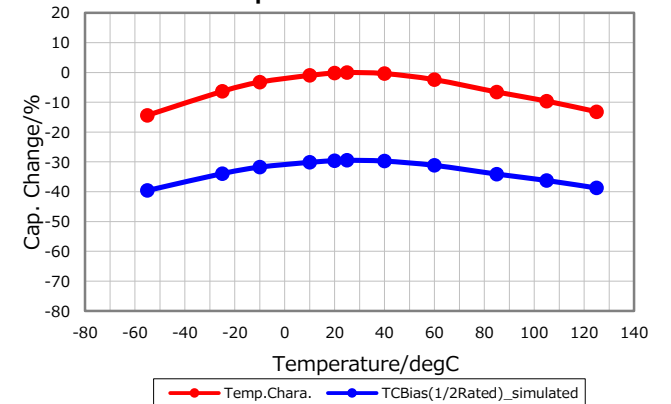
## DC Bias Characteristic



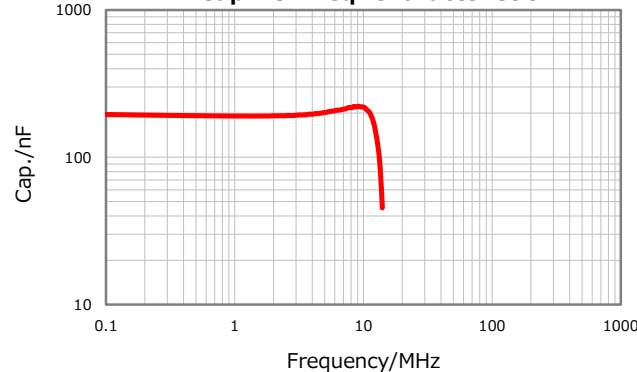
## |Z|, ESR vs. Freq. Characteristics (Simulation data)



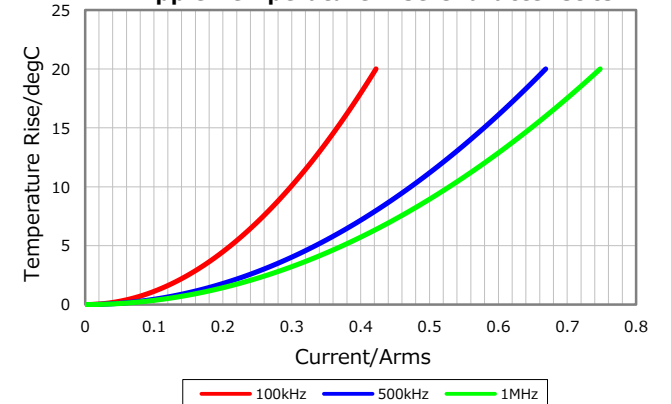
## Temperature Characteristics



## Cap. vs. Freq. Characteristic



## Ripple Temperature Rise Characteristics



⚠ All specifications are subject to change without notice.

January 10, 2021