

C1005X7R1E154M050BB

TDK item description : C1005X7R1E154MT****

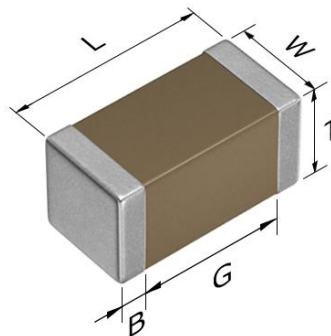


Application & Main Feature

Commercial grade (General type)

Series

C1005 [EIA 0402]



Dimensions

L 1.00±0.05 mm
 W 0.50±0.05 mm
 T 0.50±0.05 mm
 B 0.10 mm min.
 G 0.30 mm min.

Temperature Characteristic

X7R (-55 to +125 degC, ±15%)

Rated Voltage

1E (25Vdc)

Capacitance

150nF

Capacitance Tolerance

M (±20%)

DF

5 % max.

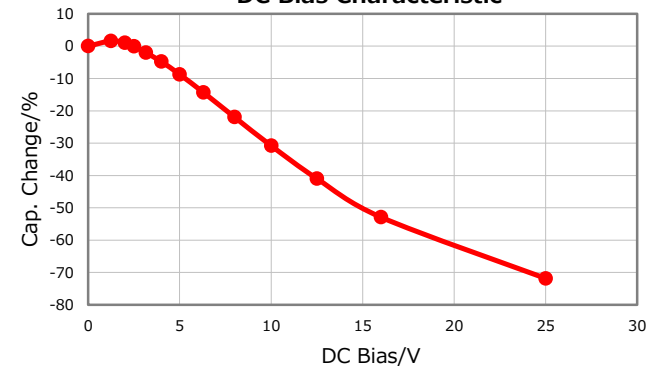
Insulation Resistance

3333 Mohm min.

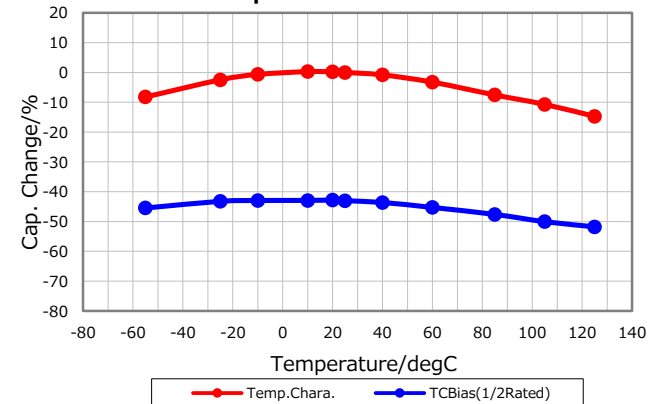
AEC-Q200

Not Applicable

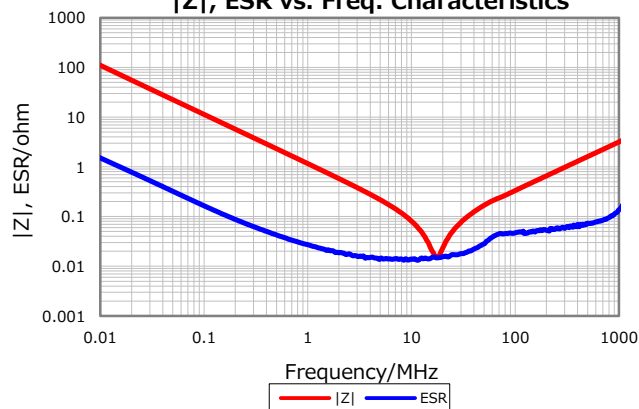
DC Bias Characteristic



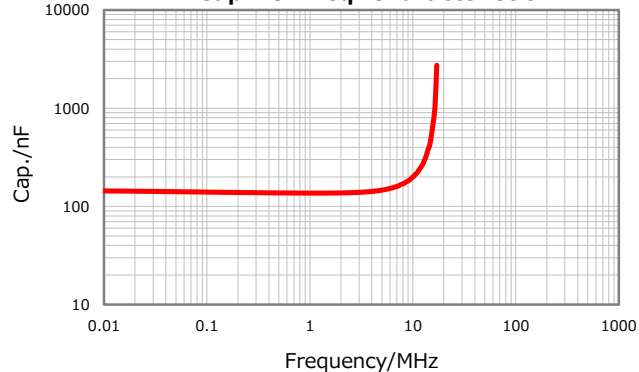
Temperature Characteristics



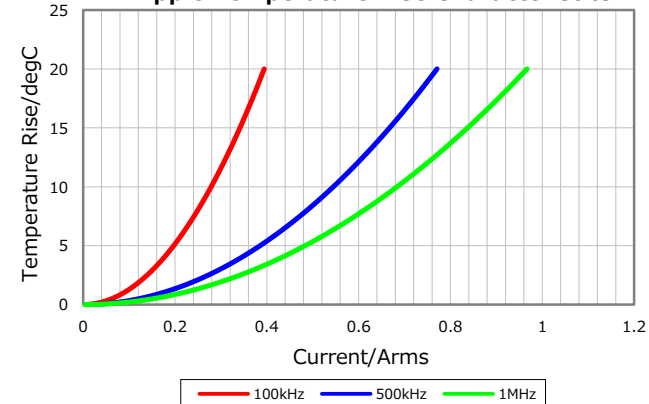
|Z|, ESR vs. Freq. Characteristics



Cap. vs. Freq. Characteristic



Ripple Temperature Rise Characteristics



Characterization Sheet (Multilayer Ceramic Chip Capacitors)



⚠ All specifications are subject to change without notice.

January 5, 2021