

# C1608CH2A392K080AC

TDK Item Description : C1608CH2A392KT\*\*\*\*

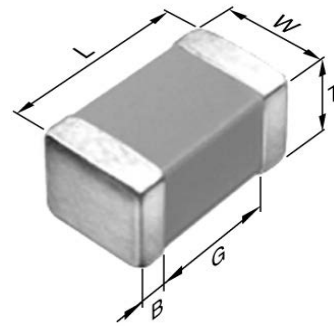


## Application & Main Feature

Commercial Grade ( Mid Volatage (100 to 630V) )

## Series

C1608 [EIA 0603]



## Dimensions

L	1.60mm +/-0.1mm
W	0.80mm +/-0.1mm
T	0.80mm +/-0.1mm
B	0.20mm Min.
G	0.30mm Min.

## Temperature Characteristic

CH (-55 to 85 degC 0+/-60ppm/degC)

## Rated Voltage

2A (100Vdc)

## Capacitance

3.9nF

## Capacitance Tolerance

K (+/-10%)

## Q Factor

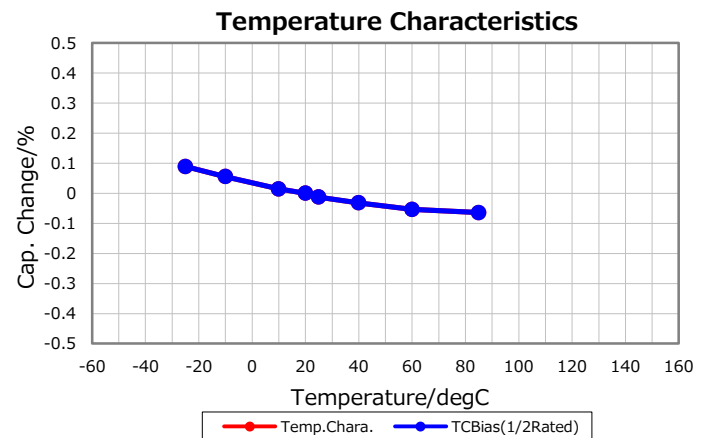
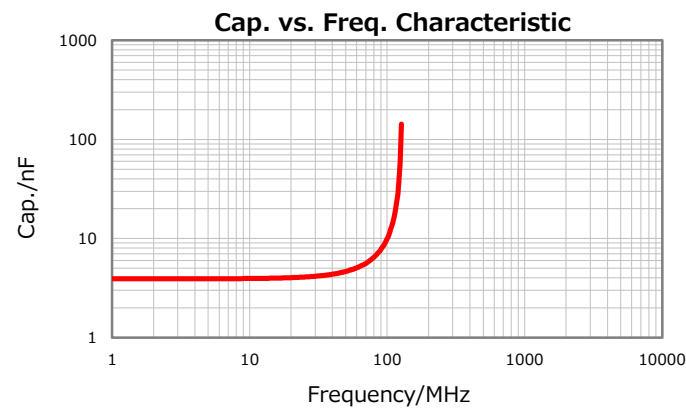
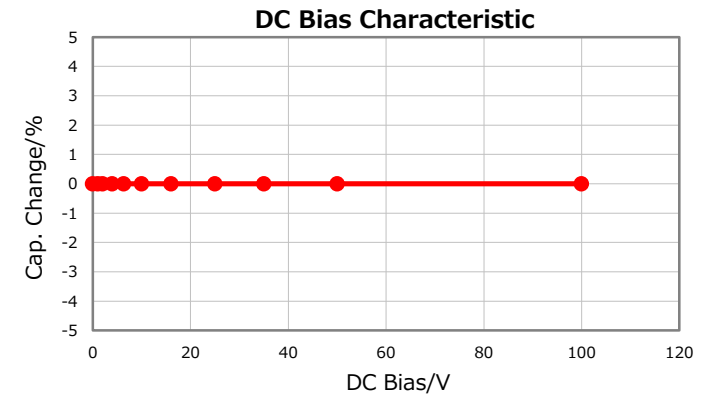
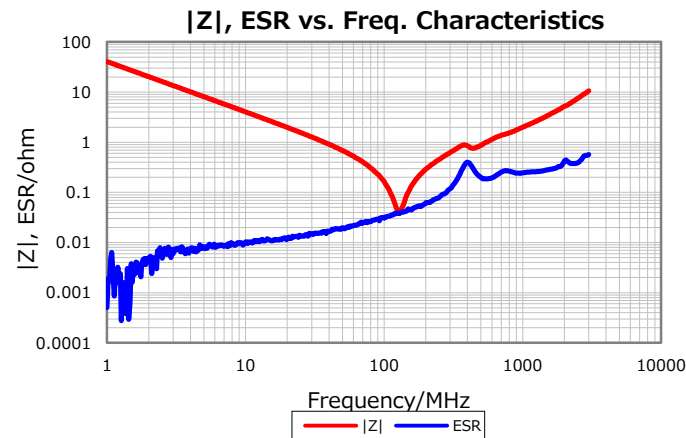
1000 Min.

## Insulation Resistance

10Gohm Min

## AEC-Q200

Not Applicable



Characterization Sheet ( Multilayer Ceramic Chip Capacitors )



All specifications are subject to change without notice.