

C1608X5R0J106K080AE

TDK Item Description : C1608X5R0J106KT***S

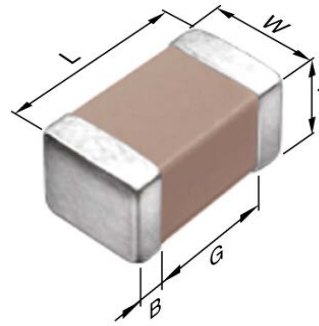


Application & Main Feature

Commercial Grade (Soft Termination)

Series

C1608 [EIA 0603]



Dimensions

L	1.60mm +0.25,-0.1mm
W	0.80mm +0.2,-0.1mm
T	0.80mm +0.2,-0.1mm
B	0.20mm Min.
G	0.30mm Min.

Temperature Characteristic

X5R (-55 to 85 degC ±15%)

Rated Voltage

0J (6.3Vdc)

Capacitance

10uF

Capacitance Tolerance

K (+/-10%)

Dissipation Factor

10% Max.

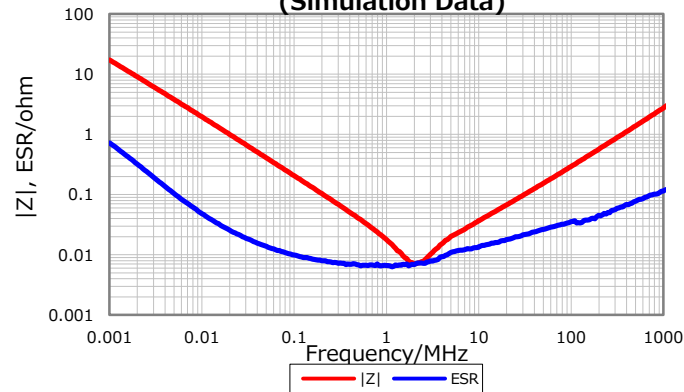
Insulation Resistance

10Mohm Min.

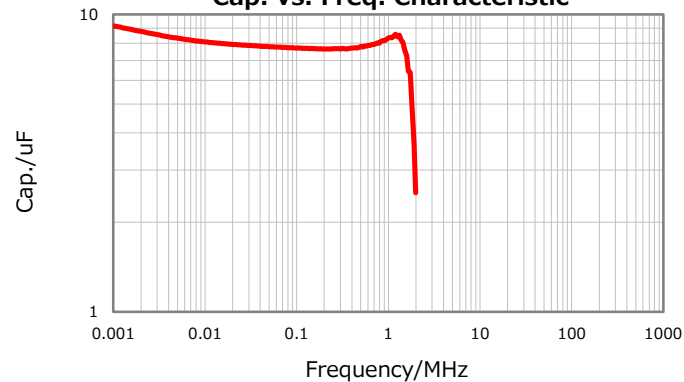
AEC-Q200

Not Applicable

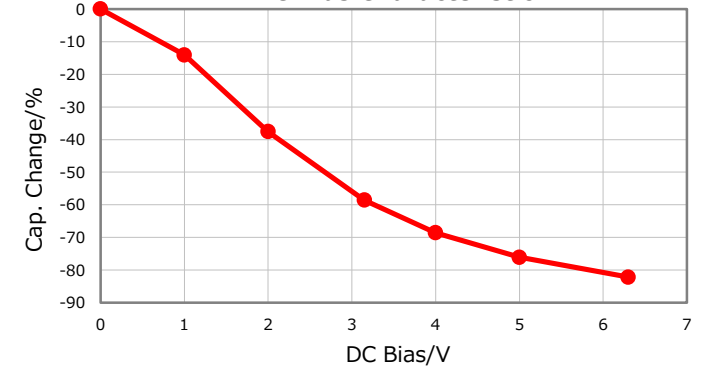
|Z|, ESR vs. Freq. Characteristics (Simulation Data)



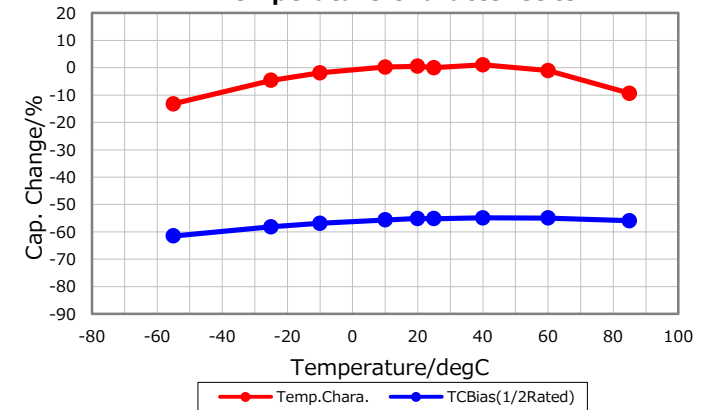
Cap. vs. Freq. Characteristic



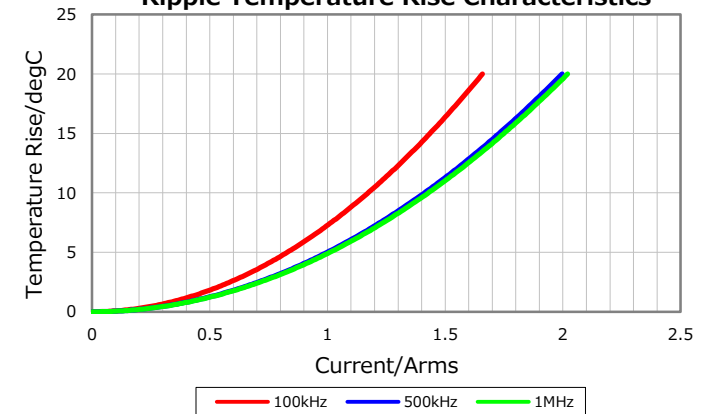
DC Bias Characteristic



Temperature Characteristics



Ripple Temperature Rise Characteristics



Characterization Sheet (Multilayer Ceramic Chip Capacitors)



All specifications are subject to change without notice.

October 27, 2017