

C1608X8L0J155K080AC

TDK item description : C1608X8L0J155KT****

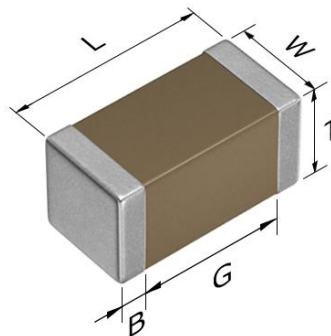


Application & Main Feature

Commercial grade (General type)

Series

C1608 [EIA 0603]



Dimensions

L 1.60±0.10 mm
W 0.80±0.10 mm
T 0.80±0.10 mm
B 0.20 mm min.
G 0.30 mm min.

Temperature Characteristic

X8L (-55 to +150 degC, +15/-40%)

Rated Voltage

0J (6.3Vdc)

Capacitance

1.5µF

Capacitance Tolerance

K (±10%)

DF

7.5 % max.

Insulation Resistance

66 Mohm min.

AEC-Q200

Not Applicable

