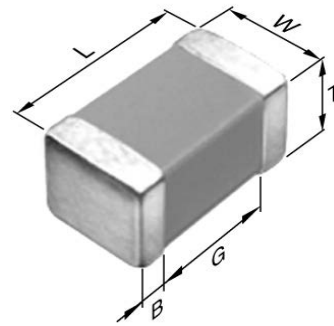


Application & Main Feature

Commercial Grade (General (Up to 50V))

Series

C2012 [EIA 0805]



Dimensions

L	2.00mm +/-0.2mm
W	1.25mm +/-0.2mm
T	0.60mm +/-0.15mm
B	0.20mm Min.
G	0.50mm Min.

Temperature Characteristic

CH (-55 to 85 degC 0+/-60ppm/degC)

Rated Voltage

1V (35Vdc)

Capacitance

30nF

Capacitance Tolerance

J (+/-5%)

Q Factor

1000 Min.

Insulation Resistance

10Gohm Min

AEC-Q200

Not Applicable

