

# C2012JB1H335K125AB

TDK Item Description : C2012JB1H335KT\*\*\*

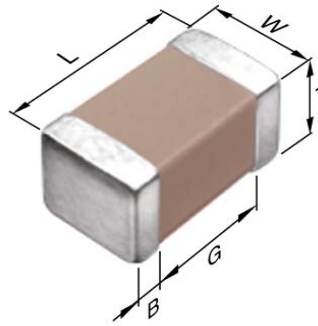


## Application & Main Feature

Commercial Grade ( General (Up to 50V) )

## Series

C2012 [EIA CC0805]



## Dimensions

L 2.00mm +/-0.2mm  
 W 1.25mm +/-0.2mm  
 T 1.25mm +/-0.2mm  
 B 0.20mm Min.  
 G 0.50mm Min.

## Temperature Characteristic

JB (-25 to 85 degC +/-10%)

## Rated Voltage

1H (50Vdc)

## Capacitance

3.3uF

## Capacitance Tolerance

K (+/-10%)

## Dissipation Factor

7.5% Max.

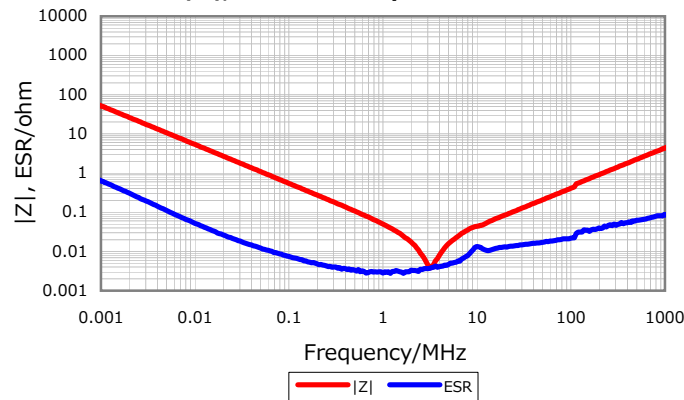
## Insulation Resistance

151Mohm Min.

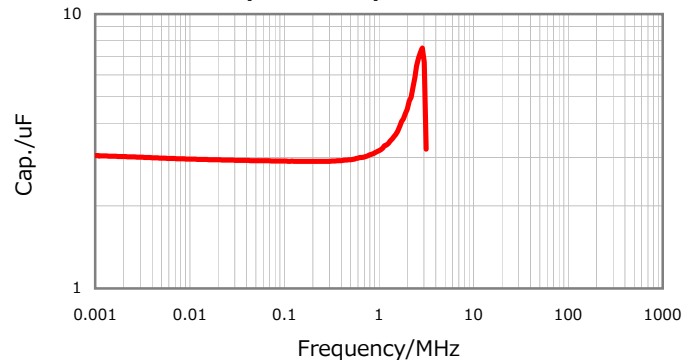
## AEC-Q200

Not Applicable

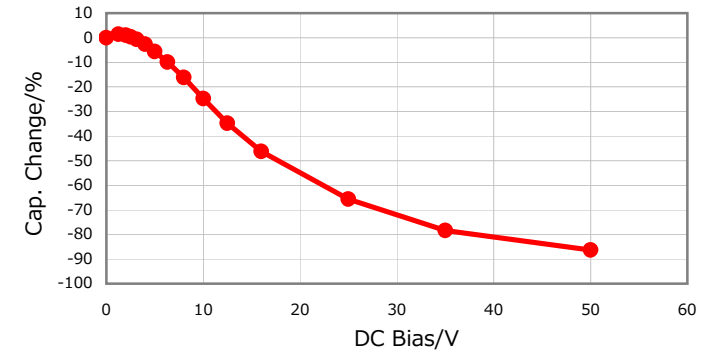
## |Z|, ESR vs. Freq. Characteristics



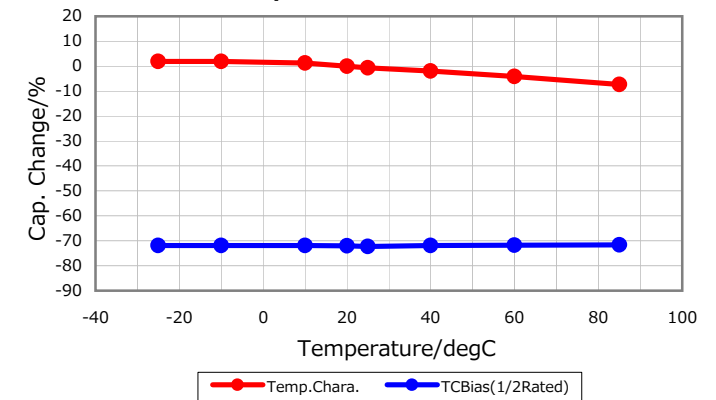
## Cap. vs. Freq. Characteristic



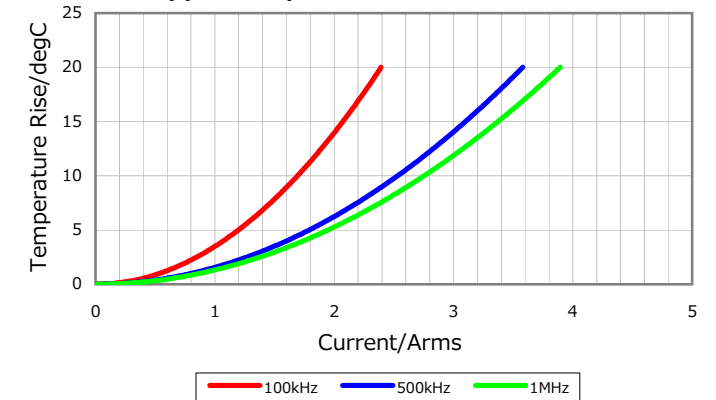
## DC Bias Characteristic



## Temperature Characteristics



## Ripple Temperature Rise Characteristics



Characterization Sheet ( Multilayer Ceramic Chip Capacitors )



All specifications are subject to change without notice.

January 3, 2016