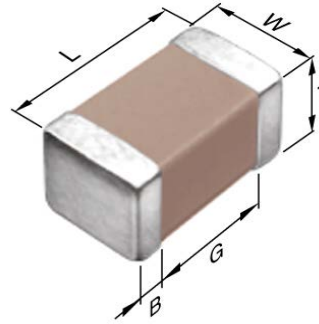


Application & Main Feature

Commercial Grade (General (Up to 50V))

Series

C2012 [EIA 0805]



Dimensions

L	2.00mm +/-0.2mm
W	1.25mm +/-0.2mm
T	1.25mm +/-0.2mm
B	0.20mm Min.
G	0.50mm Min.

Temperature Characteristic

JB (-25 to 85 degC +/-10%)

Rated Voltage

1V (35Vdc)

Capacitance

6.8uF

Capacitance Tolerance

K (+/-10%)

Dissipation Factor

10% Max.

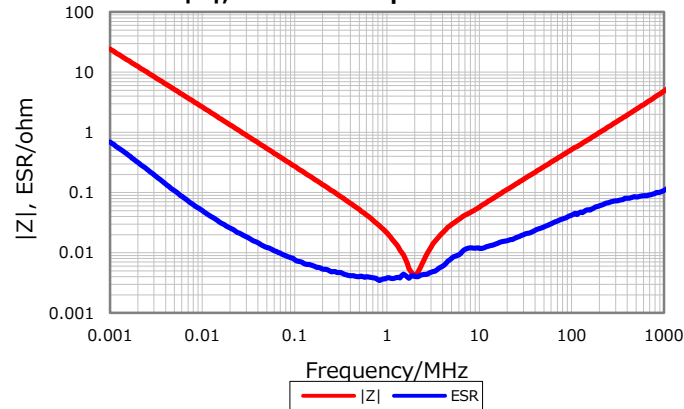
Insulation Resistance

73Mohm Min.

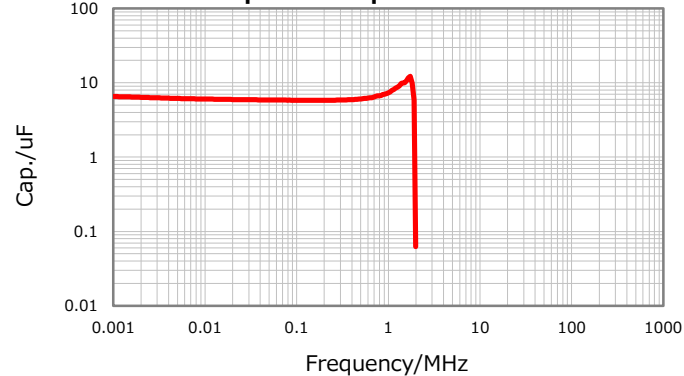
AEC-Q200

Not Applicable

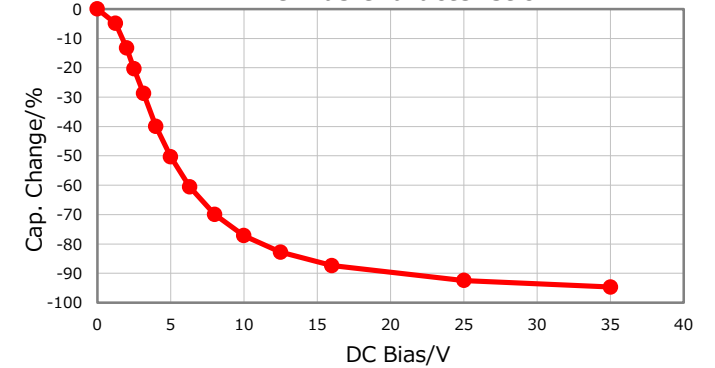
|Z|, ESR vs. Freq. Characteristics



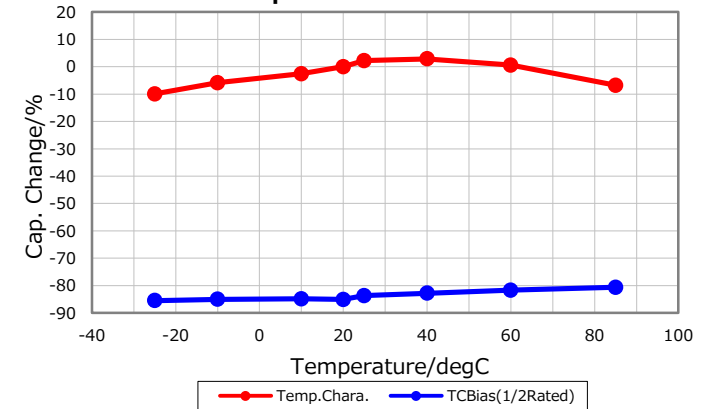
Cap. vs. Freq. Characteristic



DC Bias Characteristic



Temperature Characteristics



Ripple Temperature Rise Characteristics

