

C2012X5R1H106K125AC

TDK item description : C2012X5R1H106KT****

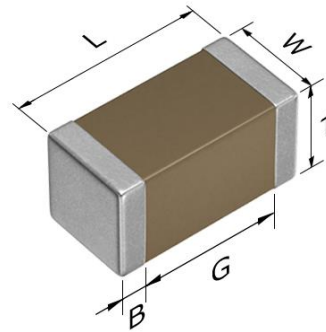


Application & Main Feature

Commercial grade (General type)

Series

C2012 [EIA 0805]



Dimensions

L	2.00+0.25,-0.15 mm
W	1.25+0.25,-0.15 mm
T	1.25+0.25,-0.15 mm
B	0.20 mm min.
G	0.50 mm min.

Temperature Characteristic

X5R (-55 to +85 degC, ±15%)

Rated Voltage

1H (50Vdc)

Capacitance

10µF

Capacitance Tolerance

K (±10%)

DF

7.5 % max.

Insulation Resistance

10 Mohm min.

AEC-Q200

Not Applicable

