

C2012X5R2A475K125AC

TDK item description : C2012X5R2A475KT****

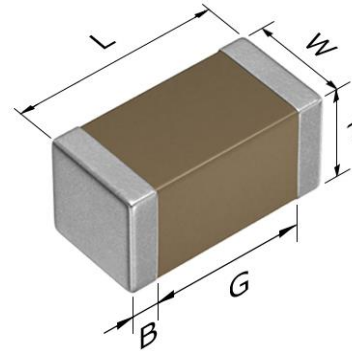


Application & Main Feature

Commercial grade (General type)

Series

C2012 [EIA 0805]



Dimensions

L 2.00+0.25,-0.15 mm
 W 1.25+0.25,-0.15 mm
 T 1.25+0.25,-0.15 mm
 B 0.20 mm min.
 G 0.50 mm min.

Temperature Characteristic

X5R (-55 to +85 degC, ±15%)

Rated Voltage

2A (100Vdc)

Capacitance

4.7µF

Capacitance Tolerance

K (±10%)

DF

5 % max.

Insulation Resistance

106 Mohm min.

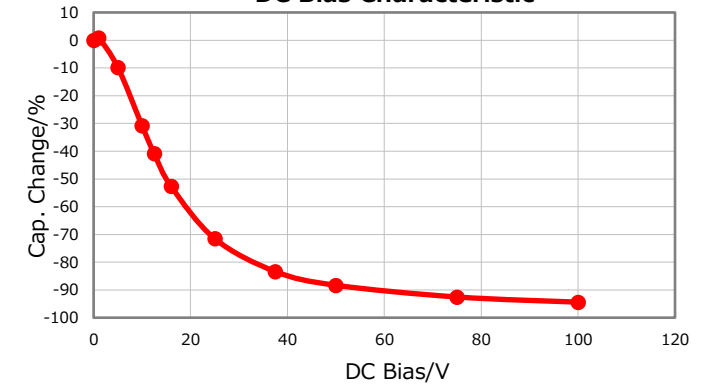
AEC-Q200

Not Applicable

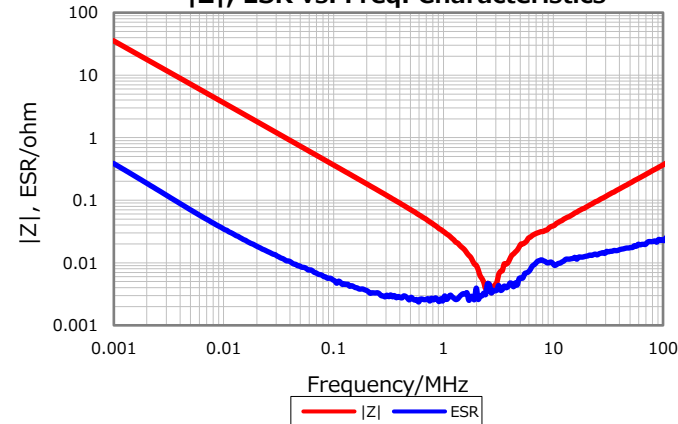
Voltage proof

Rated voltage(100Vdc) x1.25

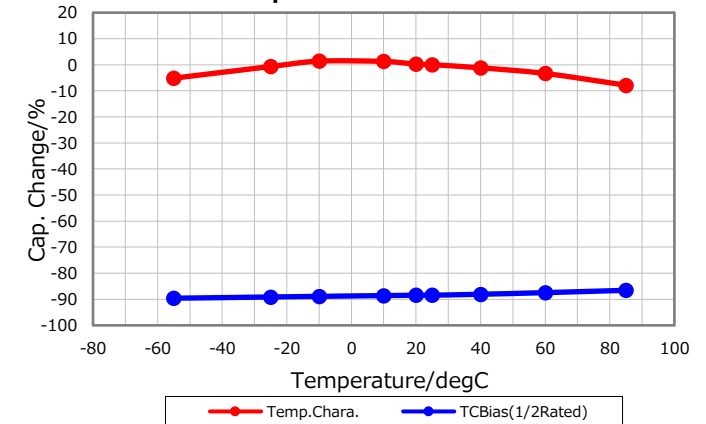
DC Bias Characteristic



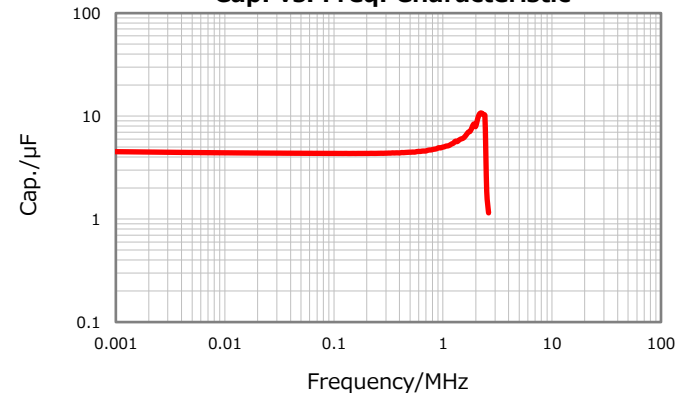
|Z|, ESR vs. Freq. Characteristics



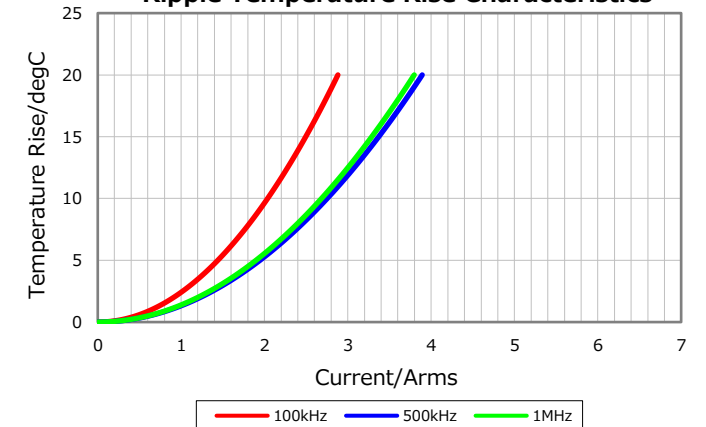
Temperature Characteristics



Cap. vs. Freq. Characteristic



Ripple Temperature Rise Characteristics



Characterization Sheet (Multilayer Ceramic Chip Capacitors)



All specifications are subject to change without notice.

May 19, 2021