

# C2012X6S1C156M125AC

TDK Item Description : C2012X6S1C156MT\*\*\*\*

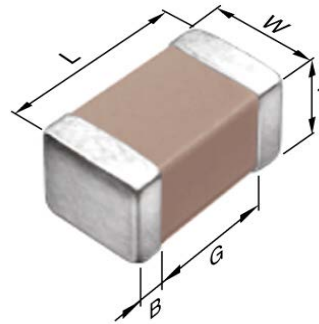


## Application & Main Feature

Commercial Grade(Up to 50V)

## Series

C2012 [EIA 0805]



## Dimensions

L	2.00mm ±0.20mm
W	1.25mm ±0.20mm
T	1.25mm ±0.20mm
B	0.20mm Min.
G	0.50mm Min.

## Temperature Characteristic

X6S (-55 to 105 degC +/-22%)

## Rated Voltage

1C(16Vdc)

## Capacitance

15uF

## Capacitance Tolerance

M (±20%)

## Dissipation Factor

10% Max.

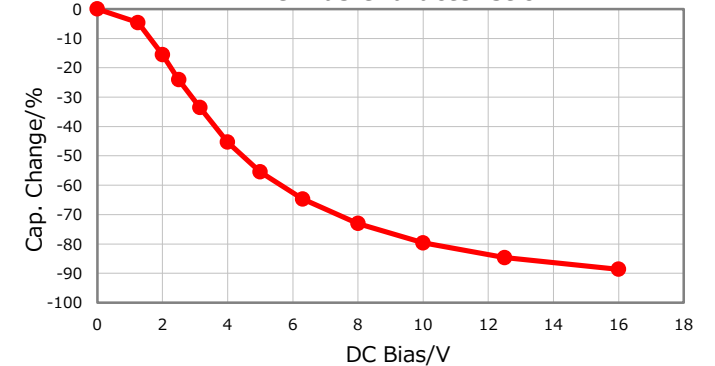
## Insulation Resistance

6Mohm Min.

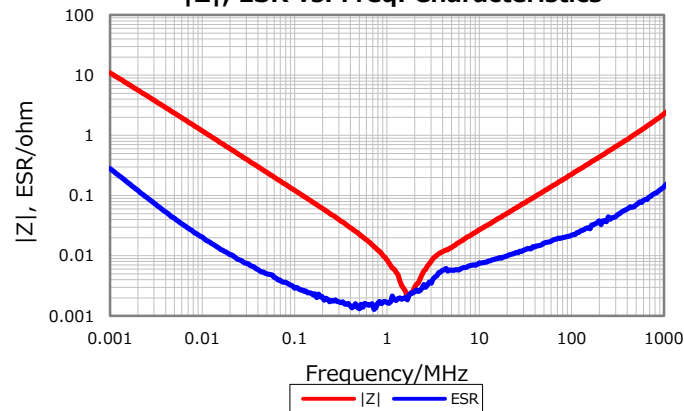
## AEC-Q200

Not Applicable

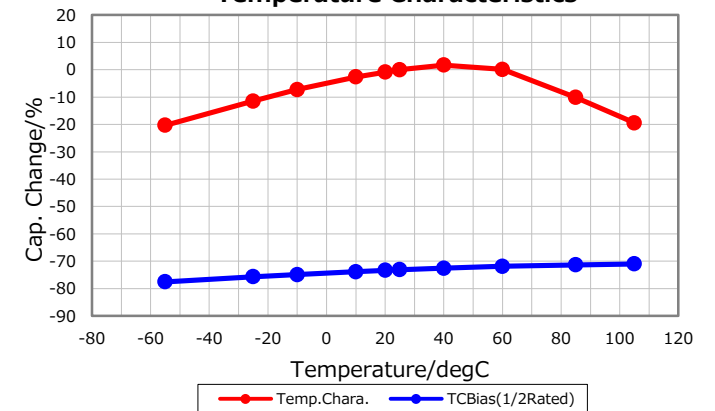
## DC Bias Characteristic



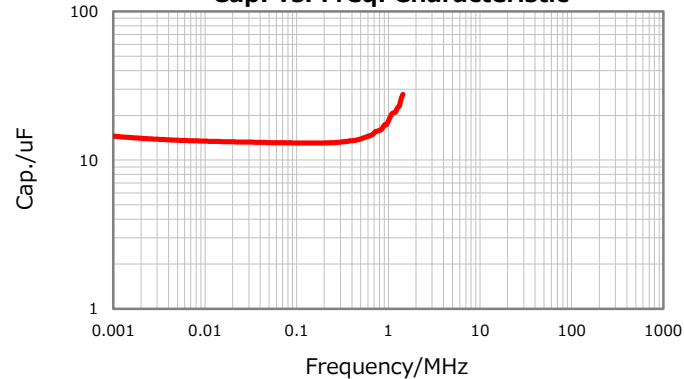
## |Z|, ESR vs. Freq. Characteristics



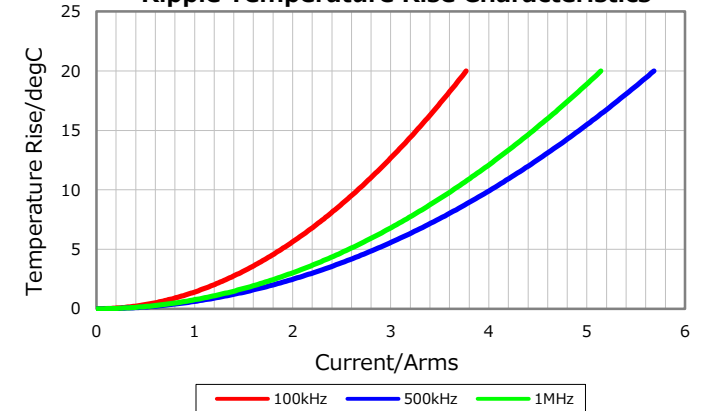
## Temperature Characteristics



## Cap. vs. Freq. Characteristic



## Ripple Temperature Rise Characteristics



Characterization Sheet ( Multilayer Ceramic Chip Capacitors )



All specifications are subject to change without notice.

October 24, 2018